

# User Manual

## VBF-OFFICE 700/1000



**VBF-Office 700/1000 with HEPA H14 Filter for Virus and Bacteria. Be prepared for Future Pandemics and Fight the Micro-Particles in the Air.**

- Professional Airpurifier for cleaning the air from Virus and Bacteria.
- Models with 700m<sup>3</sup>/h and 1000m<sup>3</sup>/h for max 50m<sup>2</sup> or 70m<sup>2</sup> Rooms.
- It is recommended to filtrate the air in a room 6 times/h to keep down the concentration of contaminations in the air.
- The HEPA H14 Filter has more than 99.995% efficiency on Micro-Particles and Virus/Bacteria..
- Less "Sick Leave" because of common Colds, keeps the costs down.
- The World Health Organization (WHO) says that Micro-Particles, in the air in Cities, cause millions of deaths in Respiratory Diseases every year. And it will become worse!

# **Table of Contents**

## **1.0 General Information**

### **1.1 Safety Note**

### **1.2 Range of Application**

### **1.3 Unit Description**

### **1.4 Installation**

### **1.5 Change of Filter**

## **2.0 Maintenance**

### **2.1 General Information**

### **2.2 Spare Parts**

# 1.0 General Information.

## Plymoth "VBF-OFFICE" HEPA H14 Professional Airpurifier.

### **Airpurifier for Coffee-, Lunch- and Meeting Rooms and Offices.**

Plymoth Professional Airpurifier is used indoors for reducing Dust, Virus and Bacteria in the air. The air is drawn into the bottom of the filter unit. The 99.995% cleaned air then is distributed from the top, deep into the room, to quickly get healthy air all over. You can choose from 1-4 outlet directions.

### **Clean the Room 6 Times/Hour.**

It is recommended to filter the total air volume in a room 6 times/hour. The VBF-OFFICE/700m<sup>3</sup>/h model is recommended for rooms up to 50m<sup>2</sup> and the VBF-OFFICE/1000m<sup>3</sup>/h for rooms up to 75m<sup>2</sup>.

For your Safety each HEPA H14 filter is delivered with a **Certificate and is leak tested**. The efficiency is over 99.995% on Particles, Virus and Bacteria. The Filters are manufactured in Europe by a HEPA H14 specialist, well known all over the world.

### **Highest Quality and simple to use.**

The Plymoth Airpurifier is designed in a very robust way of highest quality materials. It has a low noise level. 4 Heavy Duty Castors with Brakes makes it very easy to move. The Fan is equipped with a 1-phase, 220V EC motor with variable speed control. Just plug it in and get Clean Air.

### **Change of Filters.**

The Door has 6 expander locks to make it easy to open and lock. It is also locked with 2 safety bolts through two of the expander locks to avoid that it is opened by mistake. 6 locks make sure that the door is tight.

To replace the F9 Prefilter Cartridge you open the door and just pull the Cartridge out and replace it with a new.

To replace the HEPA H14 Filter Box you open the door, loosen the 3 Filter Holders and pull the box out. It has a Prefilter of Alu Mesh. Clean the Alu Mesh Prefilter and put it back in a Replacement HEPA H14 Filter Box.

## 1.1 Safety Note.

**Always disconnect the electricity supply before opening the VBF-OFFICE.**

Don't exhaust Sparks or Poisenous Dust.

Use adequate safety clothing when replacing dirty filters.

Dispose of used Filters according to local laws and regulations.

## 1.2 Range of Application.

The VBF-OFFICE Airpurifiers are designed for Indoor use in Offices, Waiting Rooms, Laboratories etc. to clean the room from Virus, Bacteria and Fine Dust.

## 1.3 Unit Description.

### VBF-OFFICE 700/1000 HEPA H14 Professional Airpurifiers.

**Professional Airpurifiers for Coffee-, Lunch- and Meeting Rooms, Offices, Schools, Restaurants, Fitnessstudios, Changing Rooms and so on.....**



AG=Alu-Grey

OB=Ozean Blue

MB=Mahogany

GB=Grey Black

### Combat Covid 19 and Normal Colds “Where People Meet”.

Plymoth VBF-OFFICE HEPA H14 professional Airpurifiers are used indoors for reducing Corona- and other Virus in the air. The cleaned air is blown out upwards in 30 degree angle, in 4 directions, to reach far into a room. Suitable for placing in the middle of a room or against a wall. 3 Flow Stops are included to make it possible to decide which directions shall be open. Over 99.995% filtration efficiency.

It is recommended to filter the total air volume in a room 6 times/hour or more. The VBF-OFFICE/700 model is for rooms up to 50m<sup>2</sup>/2.5m high and the VBF-OFFICE/1000 model for rooms up to 70m<sup>2</sup>/2.5m high. After a short while the Virus and Bacteria in the air is reduced with 98-99%.

You also reduce the spread of normal colds and get less dust in the air which reduces cleaning costs.

The VBF-OFFICE models are designed with 4-stage filtration:

1. **Inlet Prefilter** at the bottom for larger particles. Washable Aluminum mesh.
2. **Prefilter G4.** Makes the HEPA H14 filter last longer.
3. **HEPA H14 filter.** VBF-700/8m<sup>2</sup> and VBF-1000/13m<sup>2</sup>. **With Certificate and Leak test.**
4. **Outlet Filter** in the upper part. Made of washable Aluminum mesh.

For your Safety each HEPA H14 filter is delivered with a **Certificate and is leak tested.** The efficiency is over 99.995% on particles and Virus which are down to 0.1 micrometer. The Filters are manufactured in Europe by a HEPA H14 specialist, well known all over the world. It is recommended to replace the G4 Prefilter and the HEPA H14 Filter once a year.

**All VBF Airpurifiers are designed with 1-phase, 220V EC motors. Just plug it in. You can adjust the air volume to levels where you hardly hear it.**

An Investment in a Plymoth Airpurifier is often paid back in less than a year. You get Less Sick-Leave and Lower Cleaning Costs.

The Plymoth VBF-OFFICE Airpurifiers are designed in a very robust way and of highest quality materials.

They are delivered with **4x125mm castors** with brakes. **Legs 125mm high** can be ordered separately. The door of all VBF filters is locked with 2 bolts to avoid that it is opened by mistake.

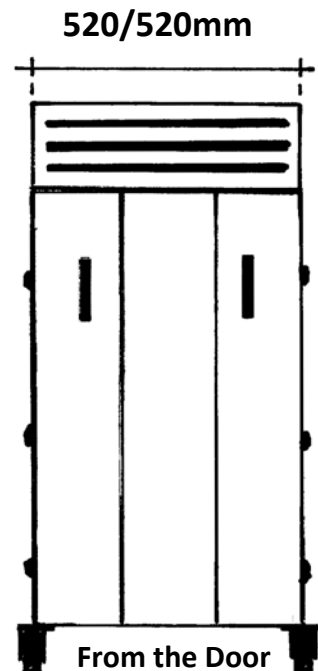
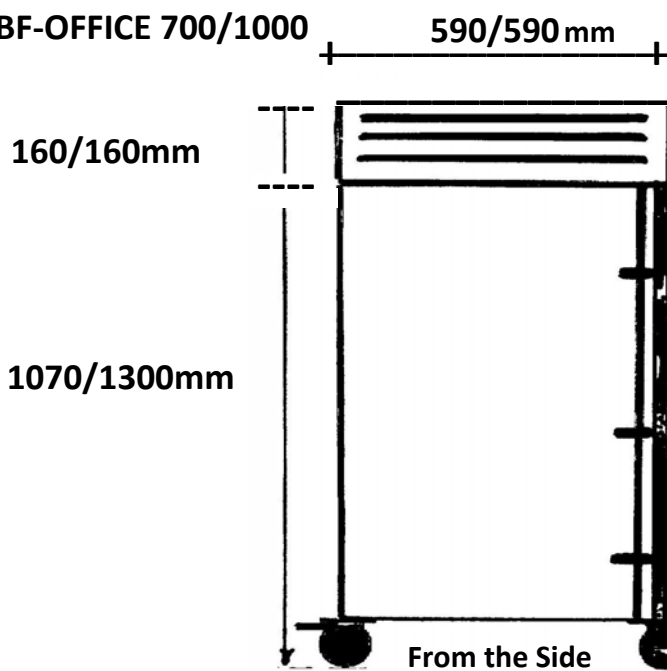


**Noice Level (dB/A):**

Noiselevel VBF (2m Distance-1,5m Hight)			
VBF-700		VBF-1000	
700 m³/h	59 dB/A	900 m³/h	66 dB/A
400 m³/h	53 dB/A	700 m³/h	63 dB/A
300 m³/h	49 dB/A	450 m³/h	57 dB/A
200 m³/h	44 dB/A	300 m³/h	49 dB/A
150 m³/h	39 dB/A	250 m³/h	46 dB/A
		200 m³/h	43 dB/A

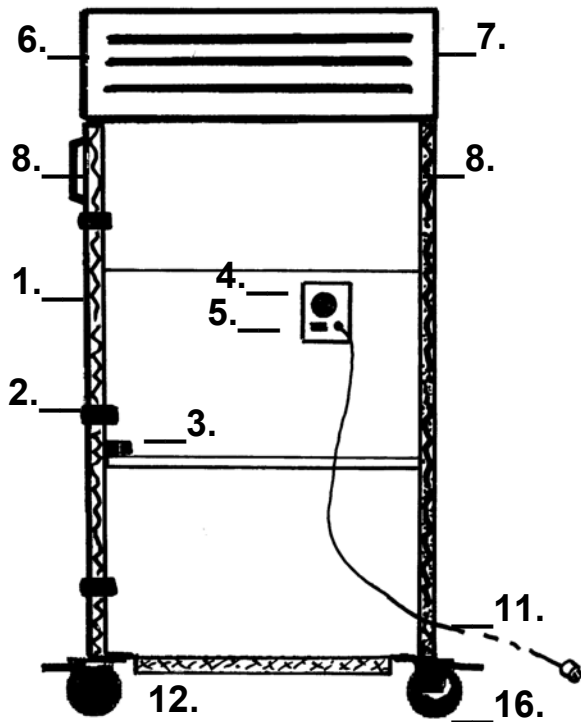
**Measures (mm):**

VBF-OFFICE 700/1000

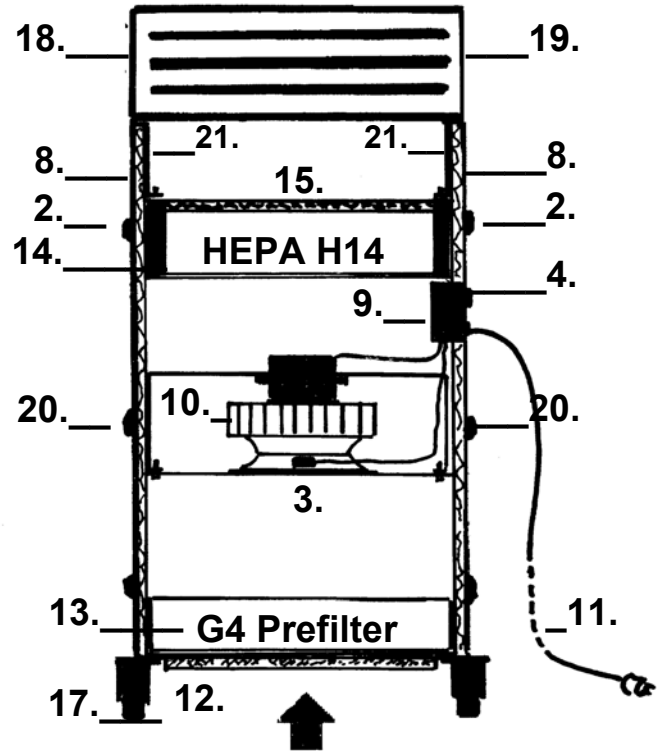


# Design VBF-OFFICE 700/1000

## From Side



## From Door



1. Door with 2xHandle.
2. Expander Locks 6pcs. Two with Locking Bolts (20).
3. Electric Safety Braker for the Fan. Brakes the current when the door opens.
4. Speed regulation Knob.
5. On/Off Switch.
6. Clean Air Outlet 30° upwards.
7. Clean Air Outlet 30° upwards.
8. Sound Insulation.
9. Electric Box.
10. Fan with 1-phase/220V/EC-Motor.
11. Electric Cable with plug.
12. Alu-Mesh Pre-filter.
13. G4 Pre-filter.
14. HEPA H14 Filter.
15. Alu-Mesh Afterfilter. Particles and Spark Trap.
16. Castors with Brakes (4pcs) 125mm high.
17. Legs 125mm high (4pcs) Accessory.
18. Clean Air Outlet 30° upwards.
19. Clean Air Outlet 30° upwards.
20. Two of the Expander Locks are with Locking Bolts as extra safety.
21. HEPA H14 Filter holders. 3 pcs.

## Technical Data VBF-OFFICE 700/1000.

Technical Data	VBF-Office 700
Measure	615(D)x 580(W)x1230mm(H).
Motor/Fan EC	1-Phase/230V/175W/50Hz.
Pre Filter 1	Alu Mesh. 425x425x14mm.
Pre Filter 2 (1.3m2)	F5/G4. ISO COARE 70%.
HEPA H14 (8m2)	EN 1822 (99.995%) Certificate and Leak Test.
Adjustable Air Flow	150-700m3/h.
Rec. Air Changes	6 Times/h. Max 50m2 Room.
Sound-Insulation	Entire Box 25mm thick.
Noise Level	2m distance 35-59 dB(A).
Cable and Plug	4m.
Castors w. Brakes	4 Pcs. 125mm high.
Flow Stop Covers	3 Pcs

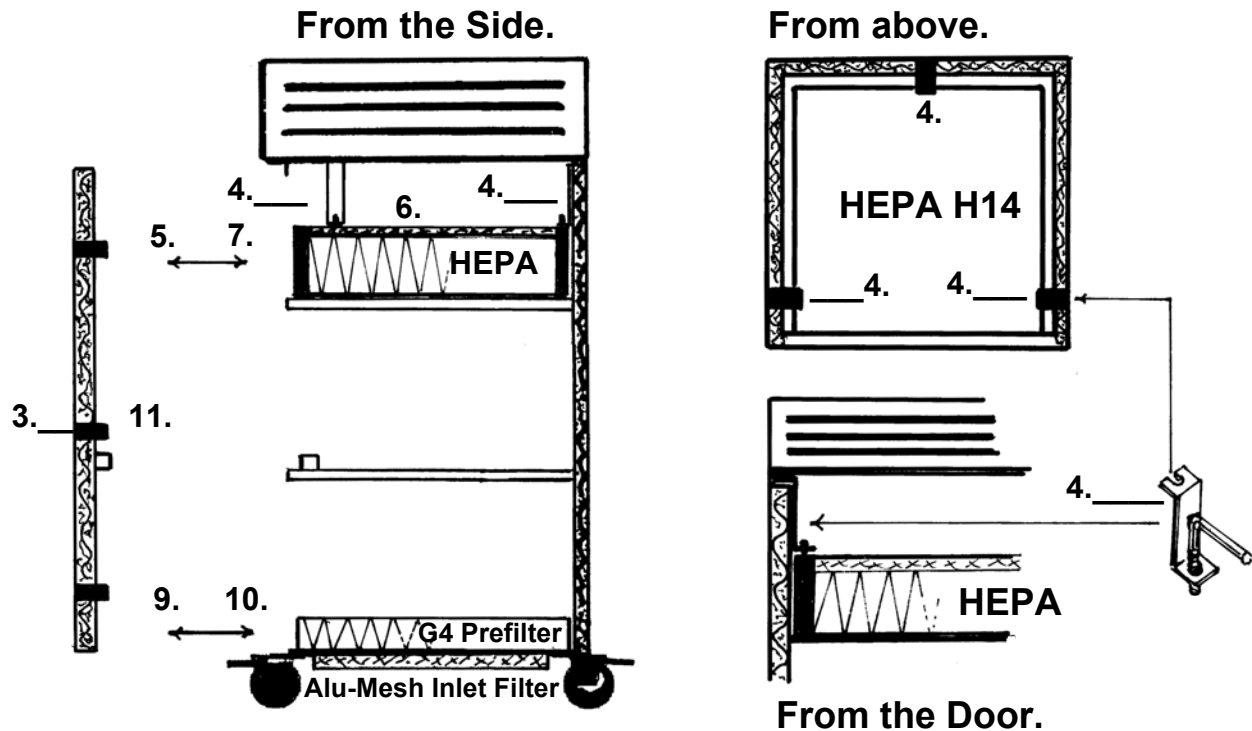
Technical Data	VBF-Office 1000
Measure (Floor)	615(D)x 580(W)x1460mm(H).
Motor/Fan EC	1-Phase/230V/350W/50Hz.
Prefilter 1	Alu Mesh. 425x425x14mm.
Prefilter 2 (2.6m2)	F5/ G4. ISO COARE 70%.
HEPA H14 (13m2)	EN 1822 (99.995%) Certificate and Leak Test.
Adjustable Air Flow	200-900m3/h.
Rec. Air Changes	6 Times/h. Max 70m2 Room
Sound-Insulation	Entire Box 25mm thick.
Noise Level	2m distance 43-66 dB(A).
Cable and Plug	4m.
Castors w. Brakes	4 Pcs. 125mm high.
Flow Stop Covers	3 Pcs

### 1.4 Installation.

VBF-OFFICE 700 and VBF-OFFICE 1000 are delivered ready for use. Just mount the Castors or the Legs (Accessory) and "Plug it in".



## 1.5 Change of Filters (Once a Year).



### Recommended Steps to replace Filters.

1. Switch off the Fan on the Unit and disconnect the Plug.
2. Use adequate Safety Clothing.
3. Loosen the two Safety Bolts on the two middle Exenter Locks. Open the 6 Exenter Locks on the Door and lift it off. Place it in a safe place.
4. Loosen the Three Filter Holders on the HEPA H14 Filter and take them out. Place them in a safe place.
5. Pull out the HEPA H14 Filter Box.
6. Take out the Alu-Mesh Afterfilter from the top of the HEPA Filter and clean it.
7. Place the cleaned Alu-Mesh Filter in the top of a Replacement HEPA H14 Filter- Box and put it into the VBF-OFFICE.
8. Mount the HEPA Filter Holders in the reverse way compared to 4. above. Note that the Holders shall be pressed in over the Insulation, where the Bolts are (See the drawing at the top to the right of this page).
9. Pull out the G4 Prefilter by tilting it and take out the Alu-Mesh Filter.
10. Clean the Alu-Mesh Filter and put it back into the VBF-OFFICE. Put in a Replacement G4 Prefilter Diagonally and press it down.
11. Put back the Door and lock it with the two Bolts on the two Middle Exenter Locks. The Unit is ready for use again (The Door has a safety braker for the current. The unit cannot be started before the Door is back).
12. Dispose of the old Filters according to Local Laws and Regulations.



# Test Report HEPA H14 Filter for VBF-OFFICE.

29625

Prüfbericht gemäß EN 1822-4

Test report according to EN 1822-4

Rapport de test selon EN 1822-4



## Filterdaten / Filter data / Fiches techniques

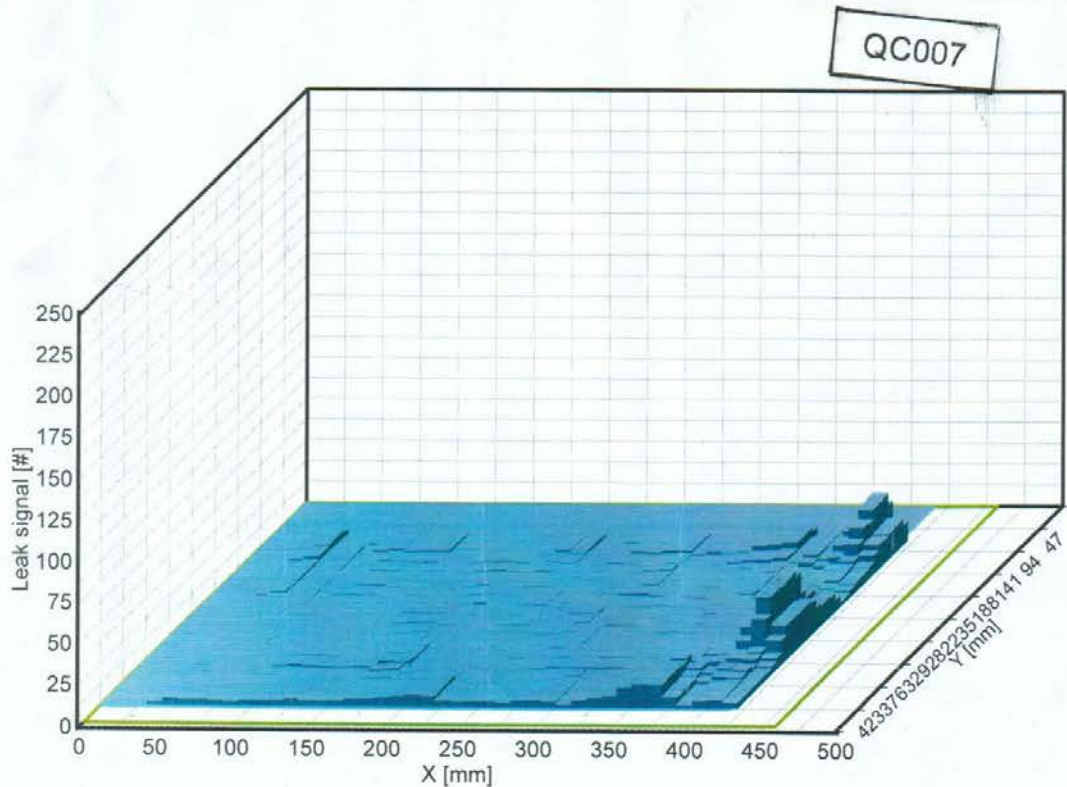
Artikel-Nummer Part no Numéro du filtre <b>20347-075</b>	Bezeichnung Filter type Type du filtre <b>ASTROPAK</b>	Serien-Nummer Serial no. Numéro de production <b>1</b>	Prüf-Datum Date of test Date du test <b>2020-08-27</b>	Prüfer Operator Opérateur <b>KP</b>
Filterabmessung (L x B x T) Filter dimensions (L x W x D) Dimensions du filtre (L x L x P) <b>457 x 457 x 149mm</b>	Nennvolumenstrom Nominal flow rate Débit d'air nominal <b>1300m³/h</b>	Anfangsdruckdifferenz Initial pressure drop Perte de charge initiale <b>493Pa</b>	<b>20347-075</b>	
Filterklasse Filter class Classe de filtration <b>HEPA H14</b>	Minimaler integraler Abscheidegrad Minimum integral efficiency Minimum efficacité intégrale <b>99,995%</b>	Minimaler lokaler Abscheidegrad Minimum local efficiency Minimum efficacité locale <b>99,975%</b>	Kommentar Comment Commentaire <b>201394</b>	

## Prüfbedingungen / Test Conditions / Conditions de test

Prüfvolumenstrom Test flow rate Débit de test <b>1298m³/h</b>	Prüfaerosol Test aerosol Aérosol de test <b>DEHS</b>	Partikelgröße Particle size Taille de particule <b>0,10 - 1,00µm</b>	Rohgaskonzentration Upstream concentration Concentration amont <b>6,84E+3#/cm³</b>	Temperatur Temperature Température <b>24,3°C</b>	Rel. Feuchte Rel. Humidity Humidité rel. <b>41,0%</b>
------------------------------------------------------------------------	---------------------------------------------------------------	-------------------------------------------------------------------------------	---------------------------------------------------------------------------------------------	-----------------------------------------------------------	----------------------------------------------------------------

## Prüfergebnisse / Test results / Résultats de test

Klassifizierung gemäß Testergebnis Classification to test result Classification selon résultat de test <b>HEPA H14</b>	Integraler Abscheidegrad Integral efficiency Valeur intégrale d'efficacité <b>99,9986985%</b>	Minimaler Abscheidegrad Minimum efficiency Minimum valeur d'efficacité <b>99,9986708%</b>	Druckdifferenz Pressure drop Perte de charge <b>494Pa</b>
Maximum (Leak signal) Maximum (Leak signal) Maximum (Signal du fuite) <b>91 (92)</b>	Anzahl der gefundenen Leckstellen Number of leaks detected Nombre de fuites détectées <b>0</b>	Lecktest gemäß EN 1822-4 Leakage test to EN 1822-4 Test de fuite selon EN 1822-4 <b>bestanden/passed/accepté</b>	



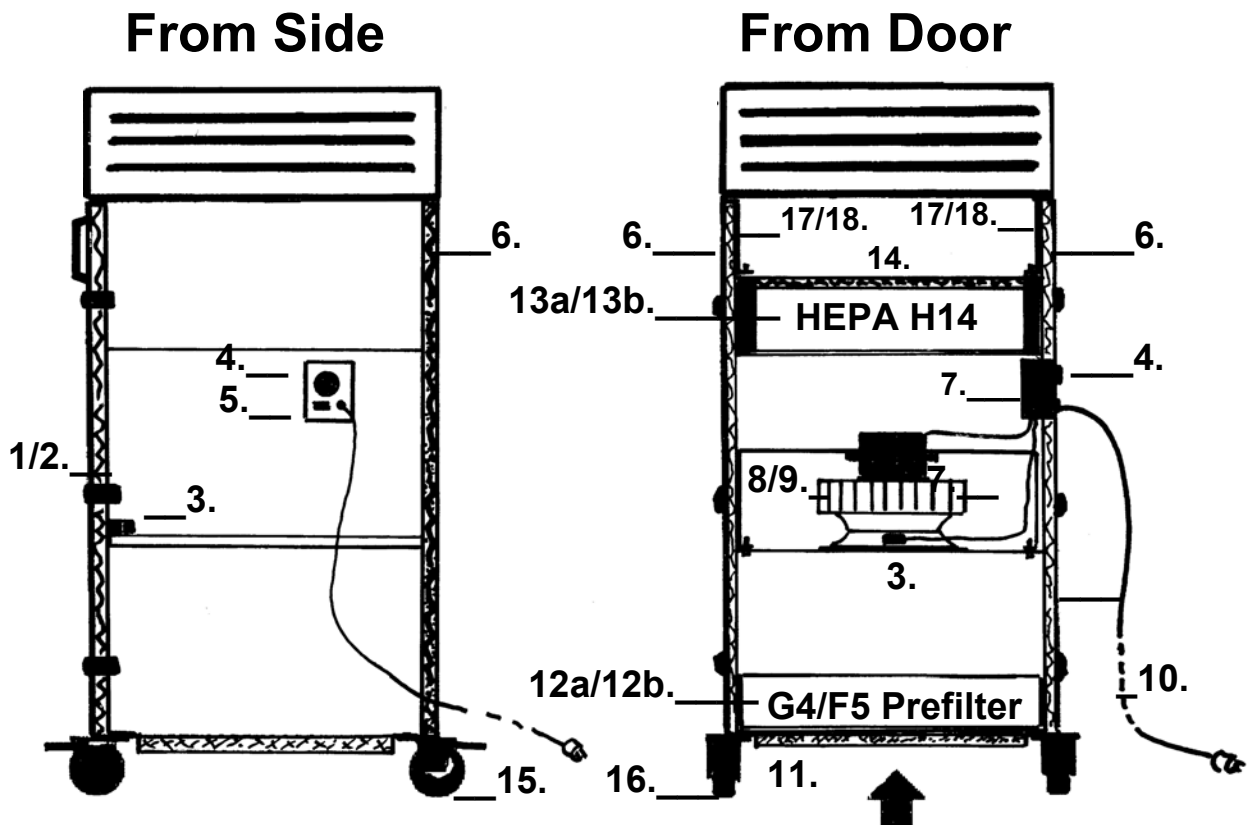
## **2.0 Maintenance.**

### **2.1 General Information.**

**The VBF-OFFICE Airpurifiers are robust and normally don't need much maintenance. However the following should be checked at least 2 times a year.**

- 1. Check that all bolts are tight.**
- 2. Check if the Airvolume is good enough. If not please see:  
"1.5 Change of Filter" above.**
- 3. Check the Electric Cable. If there are damages on it, you have to change it. Use Plymoth original spare parts.  
A certified Electrician has to do the change.**

## 2.1 Spare Parts: VBF-OFFICE 700/1000



**When ordering Spare Parts please specify:**

- a. Name and P-number of Your Product.
- b. Number and Text from below.
- c. Quantity of each Spare Part.

1. Door VBF-Office 700 Complete with 2 Handles, 6 Exenter Locks, Sound Insulation and Safety Braker (just the part which is on the Door).
2. Door VBF-Office 1000 Complete with 2 Handles, 6 Exenter Locks, Sound Insulation and Safety Braker
3. Electric Safety Braker (Just the part inside the VBF-Office). It Brakes the current when the door opens.
4. Speed regulator.
5. On/Off Switch.
6. Sound Insulation.
7. Electric Box without 4 and 5 above.
8. Fan for VBF-Office 700 with 1-phase/175W/220V/EC-Motor.
9. Fan for VBF-Office 1000 with 1-phase/350W/220V/50Hz/EC-Motor.
10. Electric Cable with plug.
11. Alu-Mesh Pre-filter.
12. a. VBF-Office/700 G4 Prefilter (1.3m<sup>2</sup>). b.VBF-Office/1000 G4 Prefilter (2.6m<sup>2</sup>).
13. a. VBF-Office/700 HEPA H14 Filter (8m<sup>2</sup>). b. VBF-Office/1000 HEPA H14 (13M<sup>2</sup>).
14. Alu-Mesh Afterfilter. Particle and Spark Trap.
15. Castor with Brake 125mm high (1pc.).
16. Leg 125mm high (Accessory 1pc.).
17. VBF-OFFICE 700 HEPA H14 Filter Holder (1pc.).
18. VBF-OFFICE 1000 HEPA H14 Filter Holder (1pc.).




### Declaration of conformity

We, J. Plymoth AB, declare under our sole responsibility that the product lines **MF-F9/HEPA, MF-Active Carbon, MF-Eco/F9, MF-Eco/HEPA, MF-Filter-Tables, MF-Eco Filter-Tables, FK-Mesa Backdraft Filter-Tables, MKF Filter-Tables, Labbe, CF-Lab, CF-Eco Lab, CF Central Filters, Mobo-Oil, Denta-Flex, Fica-Flex and VBF-Office** to which this declaration relates is in conformity with Directives 2006/42/EC, 2014/30/EU, 2011/65/EU and Standards EN 60204-1:2006, EN ISO 12100:2010, EN ISO 15012-1:2013, EN 61000-6-2:2005, EN 61000-6-3:2007, EN ISO 20607:2019.

J. Plymoth AB  
Traryds Allen 4D  
28772 Traryd

87

A handwritten signature in blue ink, appearing to read 'Jenny Nilsson', is written over the printed name and title.

Jenny Nilsson  
Verkställande Direktör

2023-01-01