

# User Manual



## **MF Filter-Table/High. Active Carbon (30Ltr.) Filter Cartridge.**

- **Downdraft Filter-Table for Standing Work Position. "Plug and Play".**
- **Gas and Odors are extracted downwards instead of being inhaled.**
- **Perfect for Cleaning/Degreassing, Conservation, Gluing/Bonding, Moulding, Screenprinting etc.**
- **Filter Cartridge with Prefilter Fleece and 30Ltr Active Carbon.**
- **Legs, with Adjustable working height (850-1000mm), as Standard.**
- **Can be equipped with Side- and Back Panels with "Quick Release".**
- **Can be equipped with Castors with Brakes and 360 Degree Turning.**
- **Clean Air Outlet at the Bottom of the Unit.**
  
- **\*Castors are Accessories. Height adjustable Legs are standard.**

# MF Filter-Tables/High with different Tops and Back/Side Panels .



**Basic with Feet.**  
Table 0.7m(D)x0.6m(W).



**Basic with Feet.**  
Table 0.7m(D)x0.9m(W).



**Basic+Castors.**  
Table 0.7m(D)x0.6m(W).



**With 0.2m high Back/Side Shields.**  
Table 0.7m(D)x0.6m(W).



**With 0.2m high Back/Side Shields.**  
Table 0.7m(D)x0.9m(W).



**As to the left+Castors.**  
Table 0.7m(D)x0.6m(W).



**With 0.4m high Back/Side Shields.**  
Table 0.7m(D)x0.6m(W).



**With 0.4m high Back/Side Shields.**  
Table 0.7m(D)x0.9m(W).



**As to the left+Castors.**  
Table 0.7m(D)x0.6m(W).



## "Quick Release".

The Side Panels can be demounted in seconds. Just lift and pull back and it will be loose.

# **Table of Contents**

## **1.0 General Information**

**1.1 Safety Note**

**1.2 Range of Application**

**1.3 Unit Description**

**1.4 Measures**

**1.5 Mounting**

**1.6 Change of Filter**

## **2.0 Maintenance**

**2.1 General Information**

**2.2 Spare Parts**

## **1.0 General Information.**

A MF Downdraft Filter-Table/High with a 30Ltr. Active Carbon Cartridge is a simple and efficient way to create a workfriendly booth with clean air.

The High models are for a Standing Work Position. The table top of 4mm thick steel is either 0.6m(W)x0.7m(D) or 0.9m(W)x0.7m(D). Not painted.

The table top height can be adjusted from 0.85m-1m and can be equipped with side and back shields, 200 or 400mm high. Always an ergonomical work position

The unit is simple to install. Just plug it into an electric socket. Ready for use! The contaminated air is exhausted downwards and not inhaled. Then the cleaned air is returned to the room at the bottom of the unit.

It is simple to change the Filter-Cartridge when the extraction has become too low or the smell of Gas or Odors go through.

To replace the Filter Cartridge you take off the door and put it in a safe place. Loosen the 2 Wing Bolts which press down the combined Spark Trap/ Cartridge Holder and take it out. Pull out the Cartridge and replace it with a new. Use adequate safety clothing and dispose of the used Cartridge in accordance with local Laws and Regulations.

### **1.1 Safety Note**

**Always disconnect the electricity supply before opening the Filter-Table.**

**Don't exhaust Sparks or Poisenous Gas or Dust.**

**Use adequate safety clothing when replacing a used Filter Cartridge.**

**Dispose of used Filter Cartridges according to local laws and regulations.**

### **1.2 Range of Application.**

The MF Active Carboen Filter-Table is designed for being a work-table and work both with clean air. It is for indoor use. The unit is suitable for Gas and Odors from:

Cleaning/Degreasing  
Conservation  
Gluing/Bonding  
Screen Printing

(The cleaned air can be recirculated into the room as long as it is not against local laws and regulations).

## 1.3 Unit Description: MF-AC Active Carbon (30Ltr) Filter-Table/High. Standing Work Position.



### Complete Work Station for Gases/Odours. Standing Work Position 0.85m-1m.

MF-AC Active Carbon Filter-Table/High is a complete “Plug and Play” workstations for standing work position. It will solve your “Health and Safety” problems.

#### Perfect for: Cleaning/Degreasing. Conservation. Gluing/Bonding. Moulding. Screen Printing.

Just place the MF-AC Filter Table where it is needed and “Plug it in”. Gases/Odours will be extracted downwards and **will not be inhaled** by the operator. They will be cleaned by the built in Active Carbon Cartridge (30Ltr.) and returned to the premises. The Cartridge has an Outside Pre-Filter.

#### Adjustable Table Height and 2 Table Sizes.

The MF-AC Filter-Table/High is as standard equipped with height adjustable legs. The Table Height is adjustable from 0.85-1m. Always a Comfortable and Ergonomic work position. There are 2 table sizes: 0.6m(W)x0.7m(D) and 0.9m(W)x0.7m(D). Come as standard with height adjustable Legs which can be adjusted 150mm. Can be equipped with heavy duty castors as accessory (P-956).

#### Side- and Back Shields.

The MF-AC Filter-Tables can be equipped with 200mm or 400mm high Back and Side Shields (to be ordered separately). The Side Shields can be put up/down in seconds with the “Quick Release”, to make room for long work pieces. The 400mm high Back Shield is prepared for a Fluorescent Light.

Art. No.

<b>MF-AC Filter-Table/High.</b> 1-Phase/1.1Kw/220V/50Hz, Active Carbon Filter Cartridge 30Ltr. with Outside Pre-Filter Fleece. Table <b>0.6m(W)</b> x0.7m(D)x4mm. With height adjustable Legs (150mm).	<b>P-979</b>
<b>MF-AC Filter-Table/High.</b> 1-Phase/1.1Kw/220V/50Hz, Active Carbon Filter Cartridge 30Ltr. with Outside Pre-Filter Fleece. Table <b>0.9m(W)</b> x0.7m(D)x4mm. With height adjustable Legs (150mm)	<b>P-980</b>
<b>Replacement Active Carbon Filter Cartridge 30Ltr. for MF High (Not ECO or MF Low Models).</b>	<b>P-962</b>
<b>Heavy Duty Castors with Brakes (125mm) 4 pcs. fit directly on MF Filter-Table or on the Legs.</b>	<b>P-956</b>
<b>Back- and Side Shields 200mm high</b> for table <b>0.6m(W)</b> x0.7m(D)x4mm.	<b>P-930</b>
<b>Back- and Side Shields 400mm high</b> for table <b>0.6m(W)</b> x0.7m(D)x4mm.	<b>P-931</b>
<b>Back- and Side Shields 200mm high</b> for table <b>0.9m(W)</b> x0.7m(D)x4mm.	<b>P-937</b>
<b>Back- and Side Shields 400mm high</b> for table <b>0.9m(W)</b> x0.7m(D)x4mm.	<b>P-938</b>

## Applications: MF Active Carbon Filter Table.

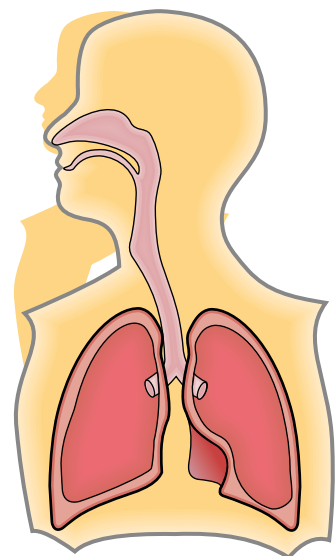
### Vapour from solvents (VOC).

Nearly all solvents are Volatile Organic Compounds or liquids. They are used in a many every day applications, such as component cleaning, degreasing, and to dissolve products that are not able to be dissolved in water. They also form the drying agent in products such as adhesives, paints, and varnishes.

Vapours from these solvents have a narcotic effect that can cause tiredness, dizziness and intoxication. Vapour and gases from solvents can also enter your body by the respiratory system and then spread to the brain and liver. The vapours from solvents are also irritating for your eyes and respiratory system.

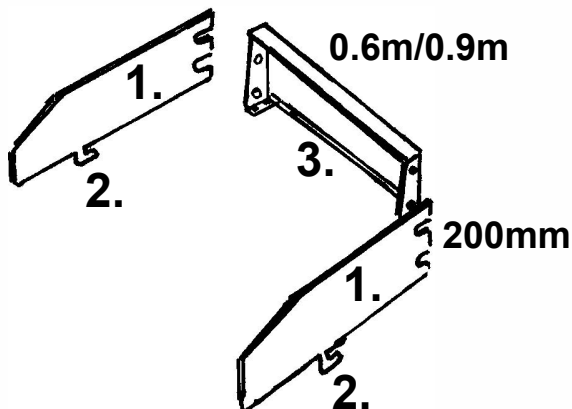
By using a MF Active Carbon Filter Table you get an effective extraction solution combined with an efficient filter system. You will reduce or eliminate the risk of working with airborne Gases and Odors.

Type of application	Hazard substances
Soldering (Electronic)	Resin, Lead, Terpene, Limonene, Borneol, Isosyanates
Solder Pot	Resin, Lead, Terpene
Gluing / Bonding	VOC1, Methylmetacrylate (MMA), Toluene, Ethyl-2-cyanoacrylate, Tetrahydrofuran, Cyklohexanone
Screen printing	Methyl ethyl ketone (MEK), Toluene
Cleaning / Degreasing	Acetone, Toluene, MEK, VOCs1
Laser cutting	Dust, metal particulate, odour
Moulding	Epoxi, Styrene
Conservation	VOCs1
Precision TIG welding	Welding fume, Gases, Ozone
Stained Glass working	Lead fume, VOCs1
Botany research	VOCs1
Sculpturing	VOCs1, silica dust, sealants

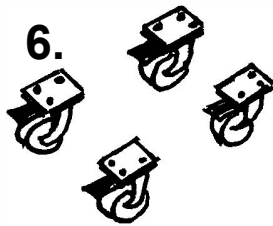
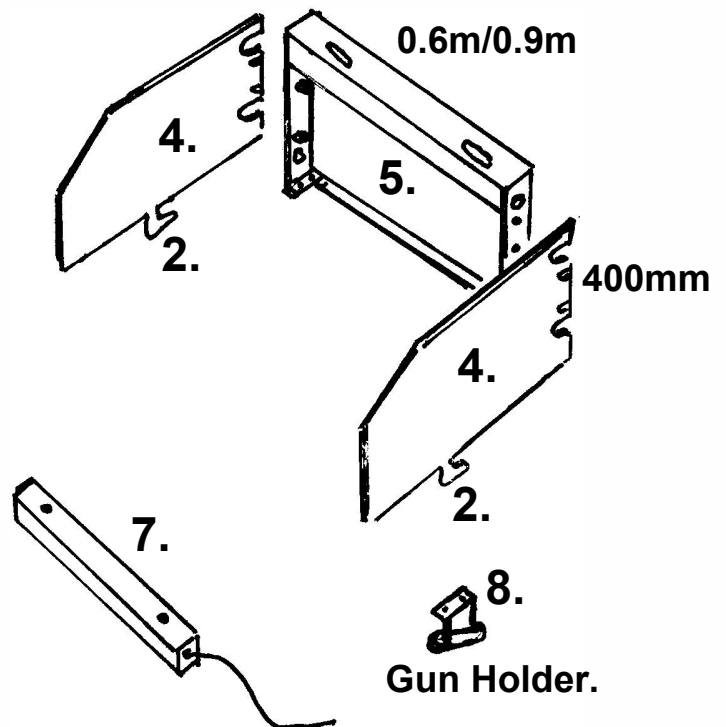


## Description: Accessories MF Filter-Table.

Back/Side Shields/200mm high.



Back/Side Shields/400mm high.



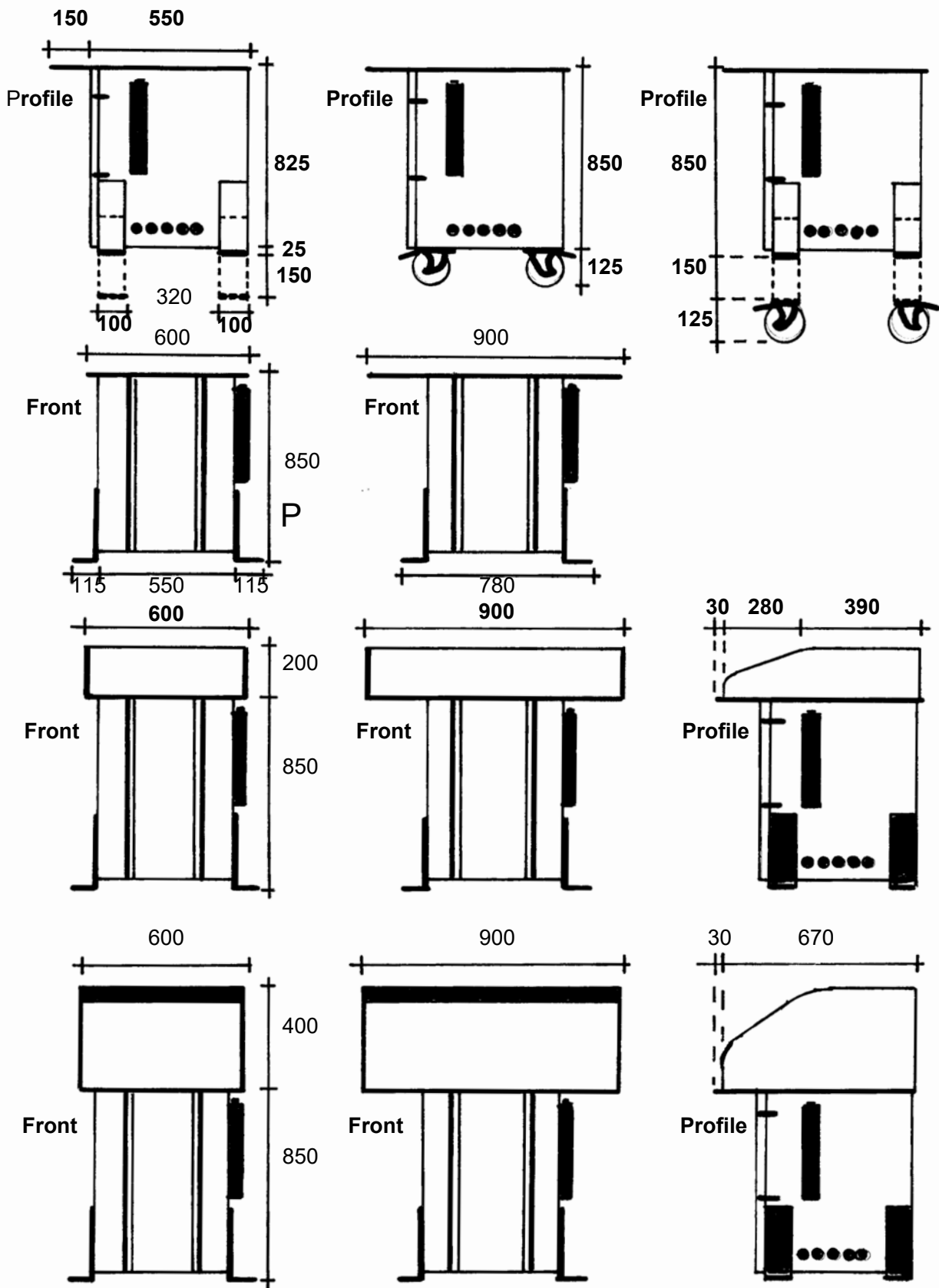
4xCastor.

Flouroscent Light.

Gun Holder.

1. Quick Release Side Shield/200mm high.
2. Quick Release Hook fits in Hole on Table Top.
3. 3a. Back Shield 0.6m wide/200mm high.  
3b. Back Shield 0.9m wide/200mm high.
4. Quick Release Side Shield/400mm high.
5. 5a. Back Shield 0.6m wide/400mm high.  
5b. Back Shield 0.9m wide/400mm high.
6. Castor 125mm high with Brake. 360 Degree.
7. Flouroscent Light for 400mm high Back Shield.
8. Holder for Welding- or Compressed Air Gun.  
Can be mounted to the Right or to the Left  
of the Table Top.

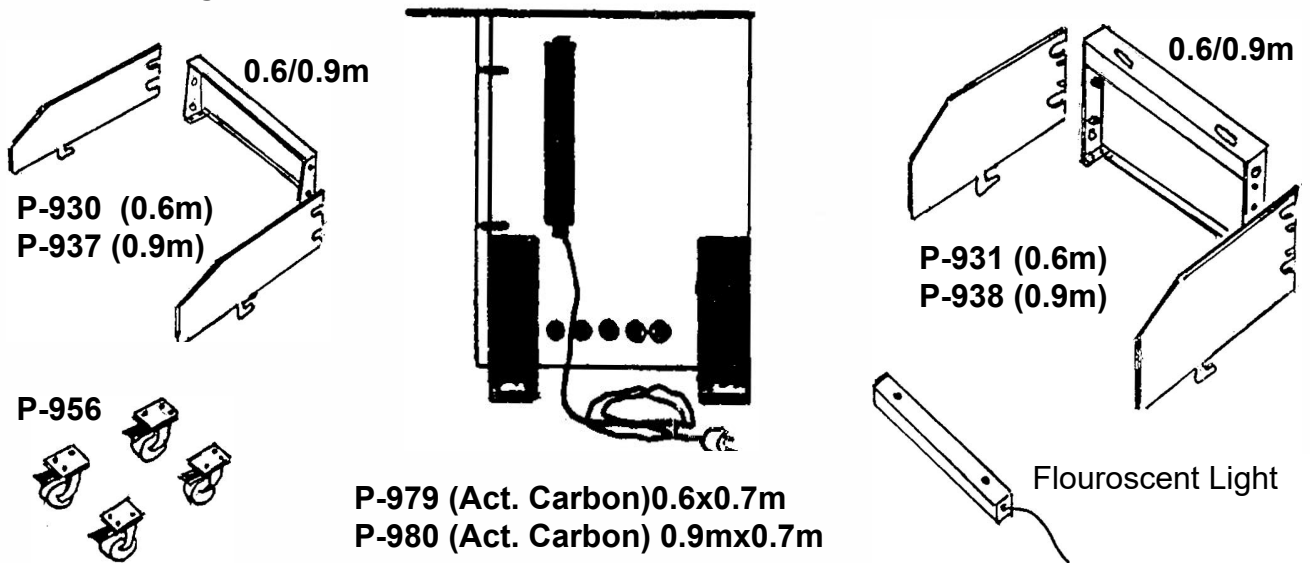
### 1.4 Measures (mm) MF Filter-Table/High F9 or HEPA H13.



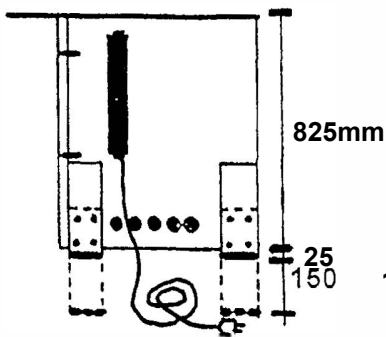


# 1.5 Mounting Instruction MF Filter-Table/High.

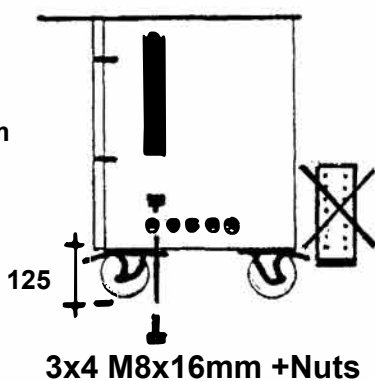
## Delivery:



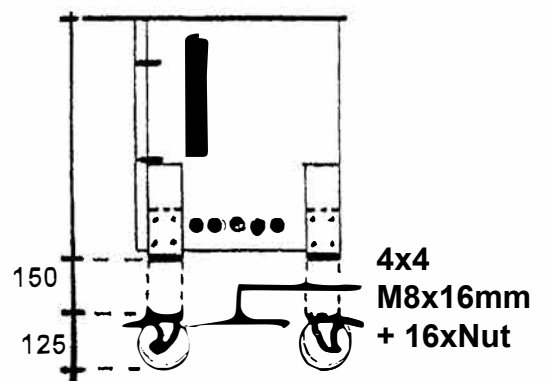
### Height adjustment



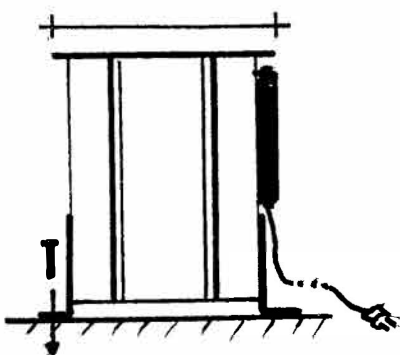
### Mounting of Castors



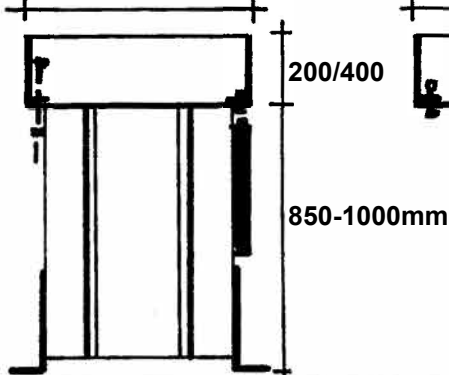
### Mounting of Castors on adjustable Legs



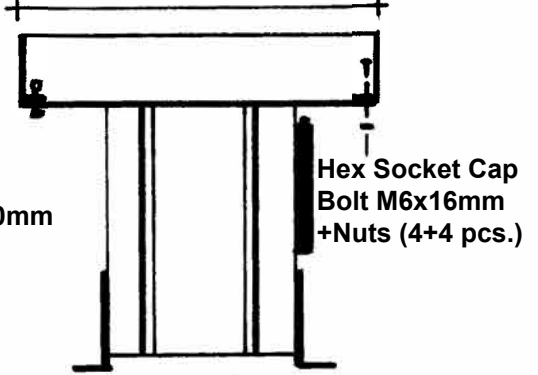
### Fix to Floor



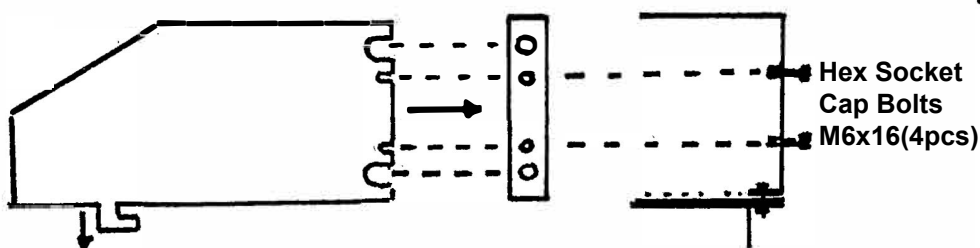
### Mounting of 0.6m Back Shield



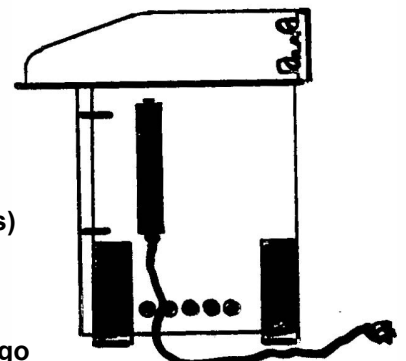
### Mounting of 0.9m Back Shield



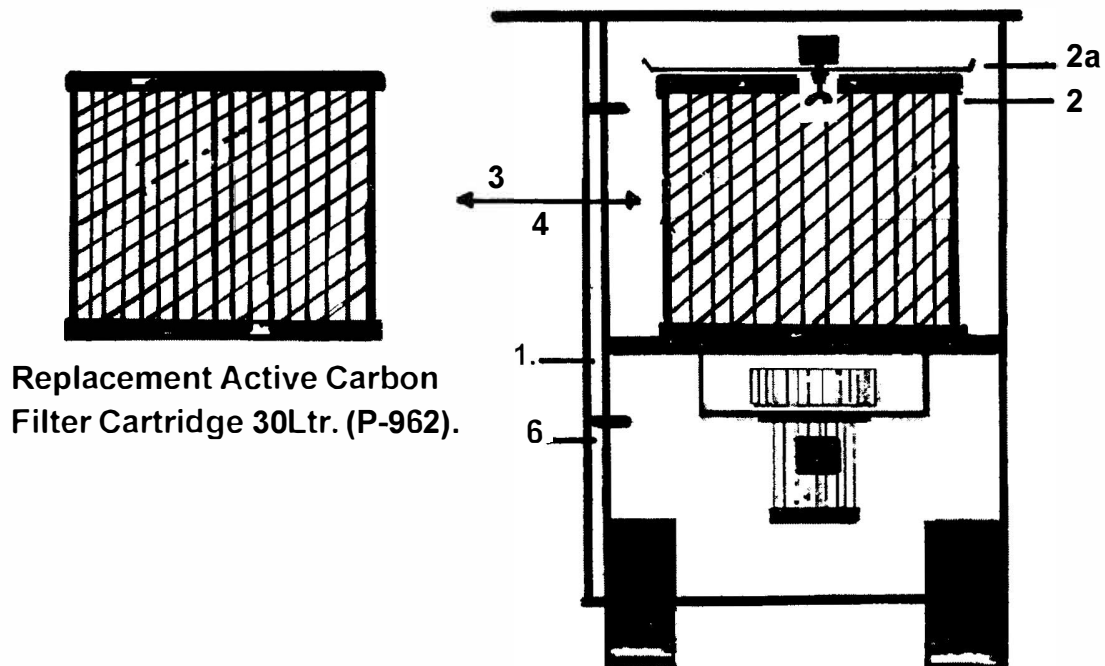
### Mounting of Quickrelease Side Shields



Push the Shield until the small slots can slide over the Bolts. Let the Hook go down into the slot in the table. Push forward until stop. Tighten the Bolts light.



## 1.6 Change of Filter: MF Filter-Table/High Active Carbon 30Ltr.



**Switch off the Fan and Use adequate Safety Clothing!!**

### **Recommended Steps to Replace an Active Carbon Filter Cartridge 30Ltr.**

1. Open the 4 Exenter Locks on the Door and lift it off.  
Place it in a safe Place.
2. Loosen the two Wingnuts and pull out the Spark Trap (2a).
3. Pull out the Active Carbon Cartridge and put it in a safe place until you can dispose of it.
4. Put in a replacement Filter Cartridge with the SEAL DOWNWARDS!!  
Be sure it is centered around the inlet of the Fan.
5. Put back the spark trap (2a) and tighten the wing nuts (2).
6. Replace the Door and lock it with the 4 Exenter Locks.
7. The MF Filter-Table is now ready for use again.
8. Dispose of the old Filter Cartridge according to Local Laws and Regulations.

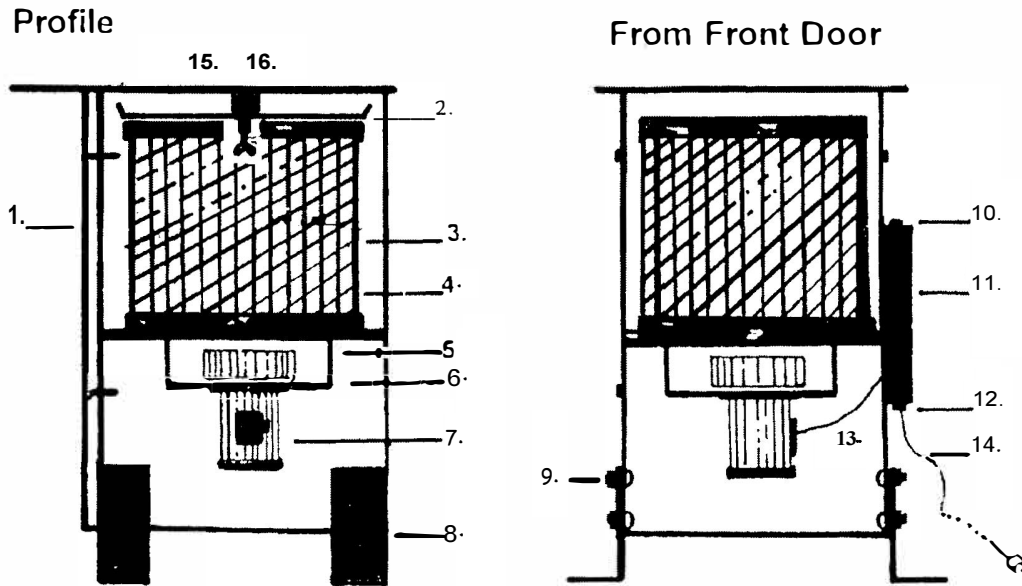
## **2.0 Maintenance**

### **2.1 General Information.**

**The MF Filter-Tables are robustly designed and normally don't need much maintenance. However the following should be checked at least 2 times a year.**

- 1. Check that all bolts are tight.**
- 2. Check if the extraction is good enough. If not replace the Active Carbon 30Ltr. Filter Cartridge. See "2.2 Change of Filter".**
- 3. It is possible to equip the unit with a F9 or HEPA H13 Filter Cartridge instead of the Active Carbon Filter. You can then use the unit for Fume and Dust generating work**
- 4. Check the Electric Cable. If there are damages on it you have to change it. Use Plymoth original spare parts.  
  
A Certified Electrician has to do the change.**
- 5. Check with the Operator that the table height is comfortable. If not adjust the height of the Legs.**

## 2.2 Spare Parts: MF Filter-Table/High Active Carbon 30Ltr.



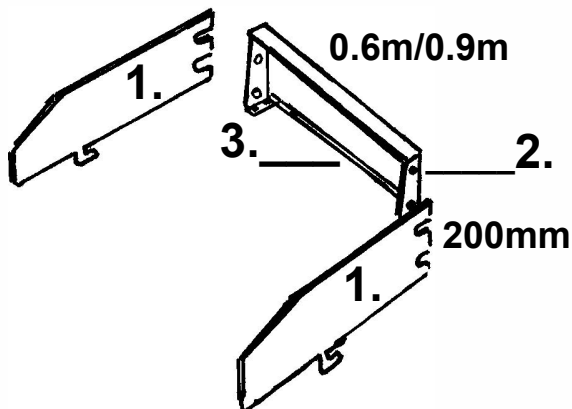
When ordering Spare Parts please specify:

- a. Name and P-number of Your Product.
- b. Number and Text from below.
- c. Quantity of each Spare Part.

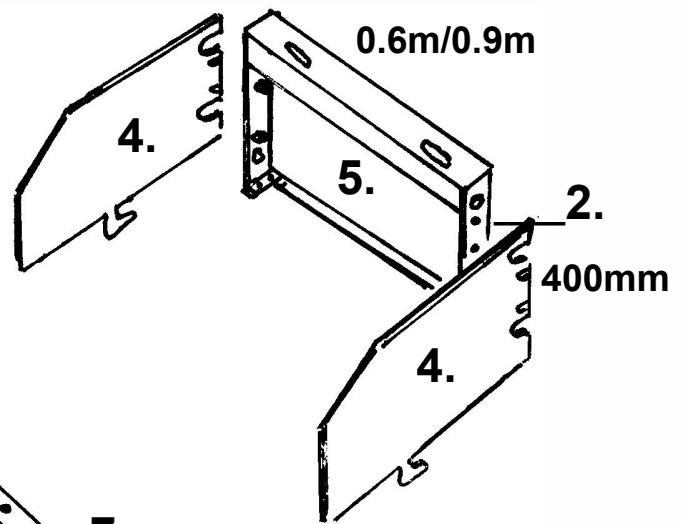
1. Door with 4xExenter Lock complete.
2. Spark Trap/Cartridge Holder with 2xM8x25mm Wing Bolts.
3. Pre-Filter of Fleece to for the Filter Cartridge.
4. Active Carbon Filter Cartridge 30Ltr (P-962).
5. Fan Impellar.
6. Fan Housing.
7. Electric Motor 1-phase/1.1kW/220V/50Hz.
8. Legs height adjustable 150mm (1pc.).
9. Coach Bolts M8x16mm(16 pcs.) with M8 Locking Nuts for the Legs (16pcs.). Important! Bolt Heads from the Inside!
10. Electric on/off Switch with Overload Protection.
11. Electric Box with 2xM8x35mm Hex Socket Button Bolts.
12. Cable Gland.
13. Motor Cable.
14. Cable with Plug.
15. Table Top 0.7m(D)x0.6m(W)x4mm with 6 pcs. of M6x16mm Hex Socket Countersunk Bolts.
16. Table Top 0.7m(D)x0.9m(W)x4mm with 6pcs. of M6x16mm Hex Socket Countersunk Bolts.

## Spare Parts: Accessories MF Filter-Table Low/High.

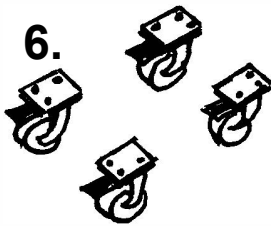
Back/Side Shields/200mm high.



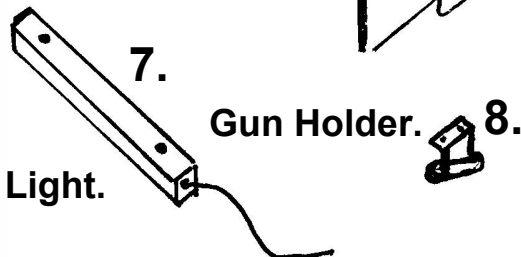
Back/Side Shields/400mm high.



Castors.



Flouroscent Light.



**When ordering Spare Parts please specify:**

- a. Name and P-number of Your Product.
- b. Number and Text from below.
- c. Quantity of each Spare Part.

1. Quick Release Side Shield/200mm high (1pc.).
2. Hex Socket Cap Bolts M6x16mm for Quick Release (4pcs.)
3. 3a. Back Shield 0.6m wide/200mm high with Hex Socket Cap Bolts 4xM6x16mm and Locking Nuts 4xM6 (1pc.).  
3b. Back Shield 0.9m wide/200mm high with Hex Socket Cap Bolts 4xM6x16mm and Locking Nuts 4xM6 (1pc.).
4. Quick Release Side Shield/400mm high (1pc.).
5. 5a. Back Shield 0.6m wide/400mm high with Hex Socket Cap Bolts 4xM6x16mm and Locking Nuts 4xM6 (1Pc.).  
5b. Back Shield 0.9m wide/400mm high with Hex Socket Cap Bolts 4xM6x16mm and Locking Nuts 4xM6 (1pc.).
6. Castor 125mm high with Brake. 360 Degree (1pc.).
7. Flouroscent Light for 400mm high Back Shield (1pc.)
8. Gun Holder + 2xM6 Hex Socket Countersunk Bolts (1pc.)



### Declaration of conformity

We, J. Plymoth AB, declare under our sole responsibility that the product lines **MF-F9/HEPA, MF-Active Carbon, MF-Eco/F9, MF-Eco/HEPA, MF-Filter-Tables, MF-Eco Filter-Tables, FK-Mesa Backdraft Filter-Tables, MKF Filter-Tables, Labbe, MF-Lab, MF-Eco Lab, CF Central Filters, Mobo-Oil, Denta-Flex, Fica-Flex and VBF-Office** to which this declaration relates is in conformity with Directives 2006/42/EC, 2014/30/EU, 2011/65/EU and Standards EN 60204-1:2006, EN ISO 12100:2010, EN ISO 15012-1:2013, EN 61000-6-2:2005, EN 61000-6-3:2007, EN ISO 20607:2019.

J. Plymoth AB  
Traryds Allen 4D  
28772 Traryd

87

  
Jenny Nilsson  
Verkställande Direktör

2023-01-01