

# User Manual



**FK-Mesa**

**Filter-Table**

## **FK-Mesa Filter-Table. F9 or HEPA H13 or Active Carbon.**

- **Backdraft Filter-Table for Standing Work Position. "Plug and Play".**
- **Fume, Dust and Gases are extracted backwards instead of being inhaled.**
- **Horizontal Guillotine Damper with Handle to adjust the Backdraft Volume.**
- **Models with F9 Filter Box (10m<sup>2</sup>) or HEPA H13 Filter Box (9m<sup>2</sup>) or Active Carbon Filter Cartridge (15Ltr.).**
- **1m or 1.4m Wide. Adjustable Height of Table top (0.8-0.95m).**
- **As standard equipped with 650mm high Side Shields/Panels with Hinges and "Quick Release". Easy to open for long work pieces.**
- **Clean Air Outlet at the Bottom of the Unit.**

# **Table of Contents**

## **1.0 General Information**

### **1.1 Safety Note**

### **1.2 Range of Application**

### **1.3 Unit Description**

### **1.4 Assembling**

### **1.5 Change of Filter**

## **2.0 Maintenance**

### **2.1 General Information**

### **2.2 Spare Parts**

## 1.0 General Information.

A FK-Mesa Backdraft Filter-Table is an easy and efficient way to create a work friendly booth with clean air for a standing work position.

The table top is of 3mm thick steel. It is 1m(W)x1m(D) or 1.4m(W)x1m(D).

The whole unit is powder coated in White.

The table top height can be adjusted from 0.8m-0.95m. Always an ergonomical work position. It is equipped with 650mm high side shields with Hinges. Easy to open for long work pieces. The unit is simple to install. Just plug it into an electric socket. Ready for use!

The contaminated air is exhausted backwards and not inhaled. Then the cleaned air is returned to the room at the bottom of the unit.

FK-Mesa Backdraft Filter-Tables can be used for all sort of work where extraction and filtration of fume, dust or gases is needed. Perfect for assembling, cleaning, light grinding, repairing, restoring, printing and so on.

Depending on the contaminations you can choose a FK-Mesa with either F9(9m<sup>2</sup>)-, HEPA H13(9m<sup>2</sup>)- or Active Carbon (15Ltr.) Filter.

If you change the work situation you can always change to any of the other two Filter Types.

The F9 Filter Box (9m<sup>2</sup>) is for dust in general and has a 99% efficiency.

The HEPA H13 Filter box (9m<sup>2</sup>) is for fine dust and has a 99.95% efficiency. It is equipped with a washable Alu Mesh prefilter.

The Active Carbon Filter Cartridge (15Ltr.) is equipped with a prefilter of fleece. For applications please see next page.

The Door has 4 expander locks to make it easy to open and lock. 4 locks makes sure that the door is tight.

To replace a filter you just open the door and pull the filter out and replace it with a new. For detailed instruction on how to change Filter see 1.6.1/1.6.2.

## 1.1 Safety Note

**Always disconnect the electricity supply before opening the Filter-Table.**

**Don't exhaust Sparks or Poisonous Dust.**

**Use adequate safety clothing when replacing used filter boxes/cartridges.**

**Dispose of filter boxes/cartridges according to local laws and regulations.**

## 1.2 Range of Application.

The FK-Mesa Filter-Table is designed for being a work-table and work both with clean air. It is for indoor use. The cleaned air can normally be recirculated into the room. Check with local laws and regulations.

## Applications: FK-Mesa Active Carbon Filter Table.

### Vapour from solvents (VOC).

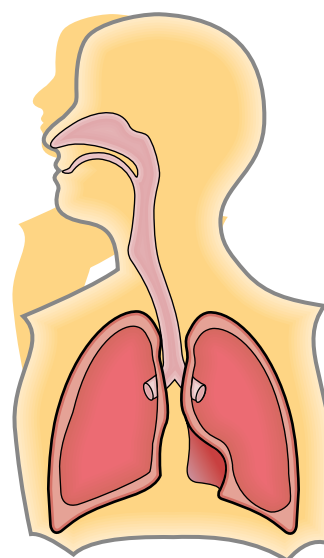
Nearly all solvents are Volatile Organic Compounds or liquids. They are used in a many every day applications, such as component cleaning, degreasing, and to dissolve products that are not able to be dissolved in water. They also form the drying agent in products such as adhesives, paints, and varnishes.

Vapours from these solvents typically have a narcotic effect that courses tiredness, dizziness and intoxication. Vapour and gases from solvents can also enter your body by the respiratory system and then spread to the brain and liver. The vapours from solvents are also irritating your eyes and respiratory system.

### Save your lungs!

By using a FK-Mesa Active Carbon Filter Table you get an ergonomical work station with effective extraction combined with an efficient filtering system.

Type of application	Hazard substances
Soldering (Electronic)	Resin, Lead, Terpene, Limonene, Borneol, Isosyanates
Solder Pot	Resin, Lead, Terpene
Gluing / Bonding	VOC1, Methylmetacrylate (MMA), Toluene, Ethyl-2-cyanoacrylate, Tetrahydrofuran, Cyklohexanone
Screen printing	Methyl ethyl ketone (MEK), Toluene
Cleaning / degreasing	Acetone, Toluene, MEK, VOCs1
Laser cutting	Dust, metal particulate, odour
Moulding	Epoxi, Styrene
Conservation	VOCs1
Precision TIG welding	Welding fume, Gases, Ozone
Stained Glass working	Lead fume, VOCs1
Botany research	VOCs1
Sculpturing	VOCs1, silica dust, sealants



# 1.3 Unit Description FK-Mesa Filter-Table.

## FK-Mesa Backdraft Filter-Tables. F9 or HEPA H13 or Active Carbon. Table Width 1m or 1.4m. Adjustable Height 0.8-0.95m.

### FK-Mesa is a Complete Workstation with Clean Air.

Dust, fume and gases will be extracted backwards instead of reaching the operator. It will solve your “Health and Safety” problems. Just place it where it is needed and “Plug it in”. Dust, Fume or Gases will be extracted backwards and will **not be inhaled** by the operator. The contaminated air will be cleaned by the built in Filter (F9) or (HEPA H13) or (Active Carbon) and be returned to the premises.

### FK-Mesa F9 or FK-Mesa HEPA H13.

For normal dust the FK-Mesa F9 with F9 Filter Box (10m2) is recommended. For fine or dangerous dust, the FK-Mesa HEPA with HEPA H13 Filter-Box (9m2) is recommended.

### FK-Mesa AC (Active Carbon).

FK-Mesa AC is recommended for Cleaning/Degreasing, Conservation, Gluing/Bonding, Molding, Screen Printing etc.

The FK-AC has a 15Ltr/7kg active carbon filter cartridge with pre-filter fleece.

**Unique Regulating Damper.** The FK-Mesa Filter-Tables are as standard equipped with a Backdraft Box with funnel-shaped vertical extraction openings. A horizontal “Guillotine” damper makes it simple to adjust the width of the openings from totally open to fully closed. If the FK-Mesa is equipped with an Extraction-Arm (Extra Equipment) you close the damper to use it.

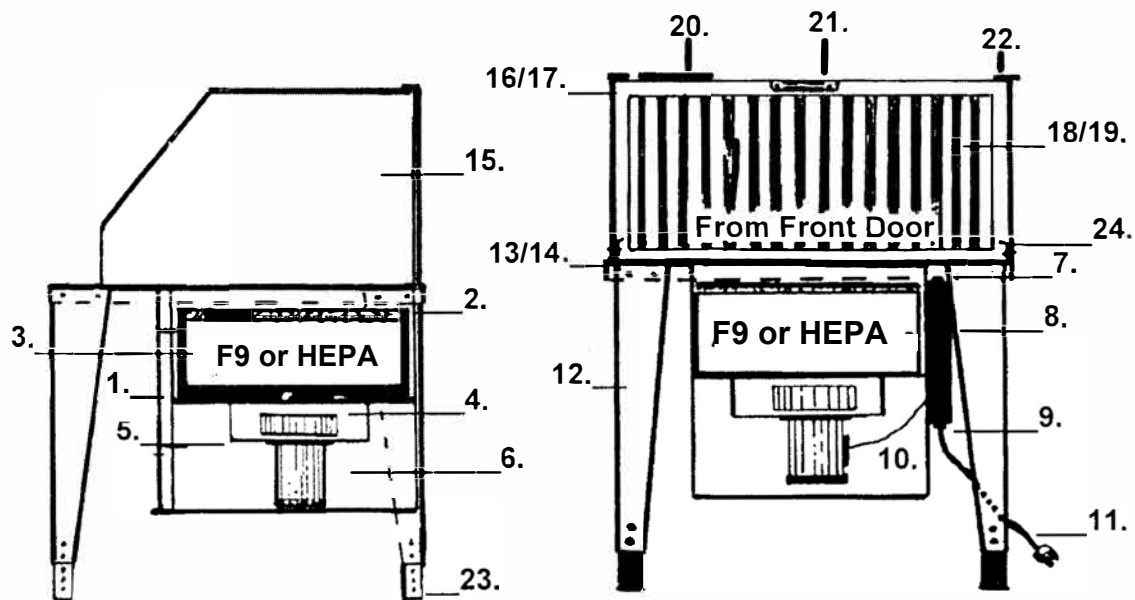
### Side Shields.

The FK-Mesa Tables are equipped with easy to open Side Shields to accommodate long work pieces.



	Art. No.
<b>FK-Mesa F9 Filter-Table/1m(W).</b> 1-Ph/1.1Kw/220V/50Hz/F9 Filter-Box 10m2. 1mx1m.	P-989
<b>FK-Mesa HEPA Filter-Table/1m(W).</b> 1-Ph/1.1Kw/220V/50Hz/HEPA H13 Filter Box 9m2. 1mx1m.	P-990
<b>FK-Mesa AC Filter-Table/1m(W).</b> 1-Ph./1.1kW/220V/50Hz/Active Carbon 15Ltr/7kg. 1mx1m.	P-991
<b>FK-Mesa F9 Filter-Table/1.4m(W).</b> 1-Ph/1.1Kw/220V/50Hz/F9 Filter-Box 10m2. 1.4mx1m.	P-992
<b>FK-Mesa HEPA Filter-Table/1.4m(W).</b> 1-Ph/1.1Kw/220V/50Hz/HEPA H13 Filter Box 9m2. 1.4x1m.	P-993
<b>FK-Mesa AC Filter-Table/1.4m(W).</b> 1-Ph./1.1kW/220V/50Hz/Active Carbon 15Ltr/7kg. 1.4mx1m.	P-994
<b>Replacement F9 Filter-Box 10m2.</b>	P-976
<b>Replacement HEPA H13 Filter Box 9m2. For FK/FMK, All MF Models Low/High (Not ECO Models)</b>	P-967
<b>Replacement Active Carbon Filter Cartridge 15Ltr/7kg with Pre-Filter Fleece.</b>	P-961
<b>Flexi FLB Extraction-Arm d.160mm/1.5m/Vit.</b>	P-788
<b>Flexi FLB Extraction-Arm d.160mm/2m/Vit.</b>	P-789
<b>Flexi FLB Extraction-Arm d.160mm/3m/Vit.</b>	P-790
<b>Mesa Pistol Holder for Left or Right mounting</b>	P-998

## Description: FK-Mesa Filter-Table. F9 or HEPA H13.

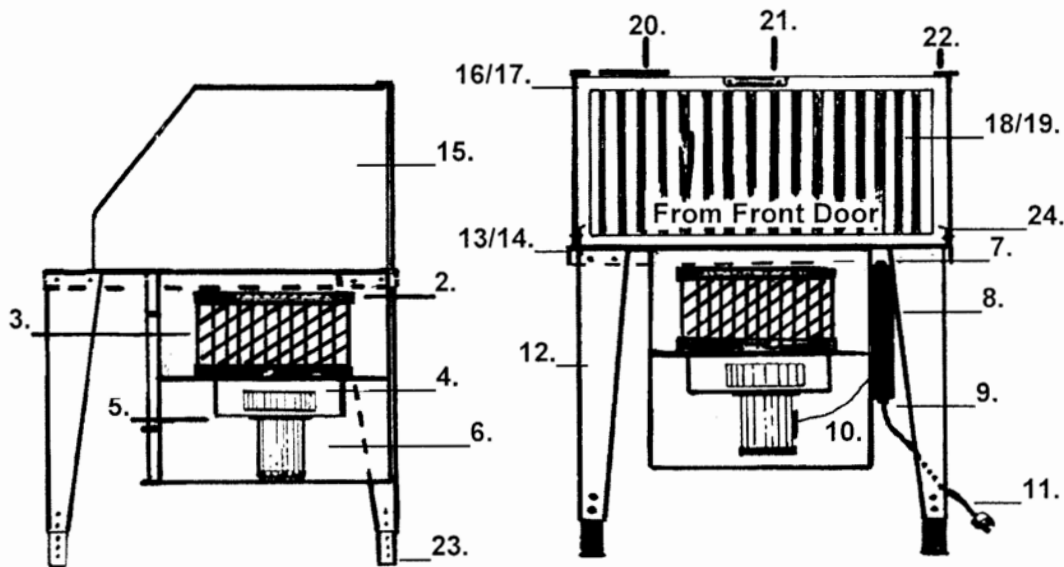


### When ordering Spare Parts please specify:

- a. Name and P-number of Your Product.
- b. Number and Text from below.
- c. Quantity of each Spare Part.

1. Door with 4xExenter Lock.
2. Pre-Filter of Alu Mesh. Washable.
- 3a. F9 Filter Box (9m<sup>2</sup>).
- 3b. HEPA H13 (9M<sup>2</sup>) Filter Box.
4. Fan Impellar.
5. Fan Housing.
6. Electric Motor 1-phase/1.1kW/220V/50 Hz.
7. Electric On/Off Switch with Overload Protection.
8. Electric Box with 2xM8x35mm Hex Socket Button Bolts.
9. Cable Gland.
10. Motor Cable from Motor to On/Off Switch.
11. Cable with Plug.
12. Leg height adjustable 150mm.
13. Table Top 1m(W)x1m(D)x3mm.
14. Table Top White 1.4m(W)x1m(D)x3mm.
15. Side Shields 650mm High with Quickrelease and Hinges.
16. Back Box 650mm Highx1m Wide prepared for Extraction-Arm 1.5/2/3m.
17. Back Box 650mm Highx1.4m Wide prepared for Extraction-Arm 1.5/2/3m.
18. Horisontal Guillotine Damper with Handle for 1m Wide Back Box.
19. Horisontal Guillotine Damper with Handle for 1.4m Wide Back Box.
20. Cover over hole for Extraction-Arm.
21. Handle for horisontal adjustment of Guillotine Damper.
22. Hinge-Ear for Side Panel.
23. Adjustable part of Leg.
24. Quickrelease for Side Shield.

**Description: FK-Mesa Filter-Table. Active Carbon 15Ltr.**



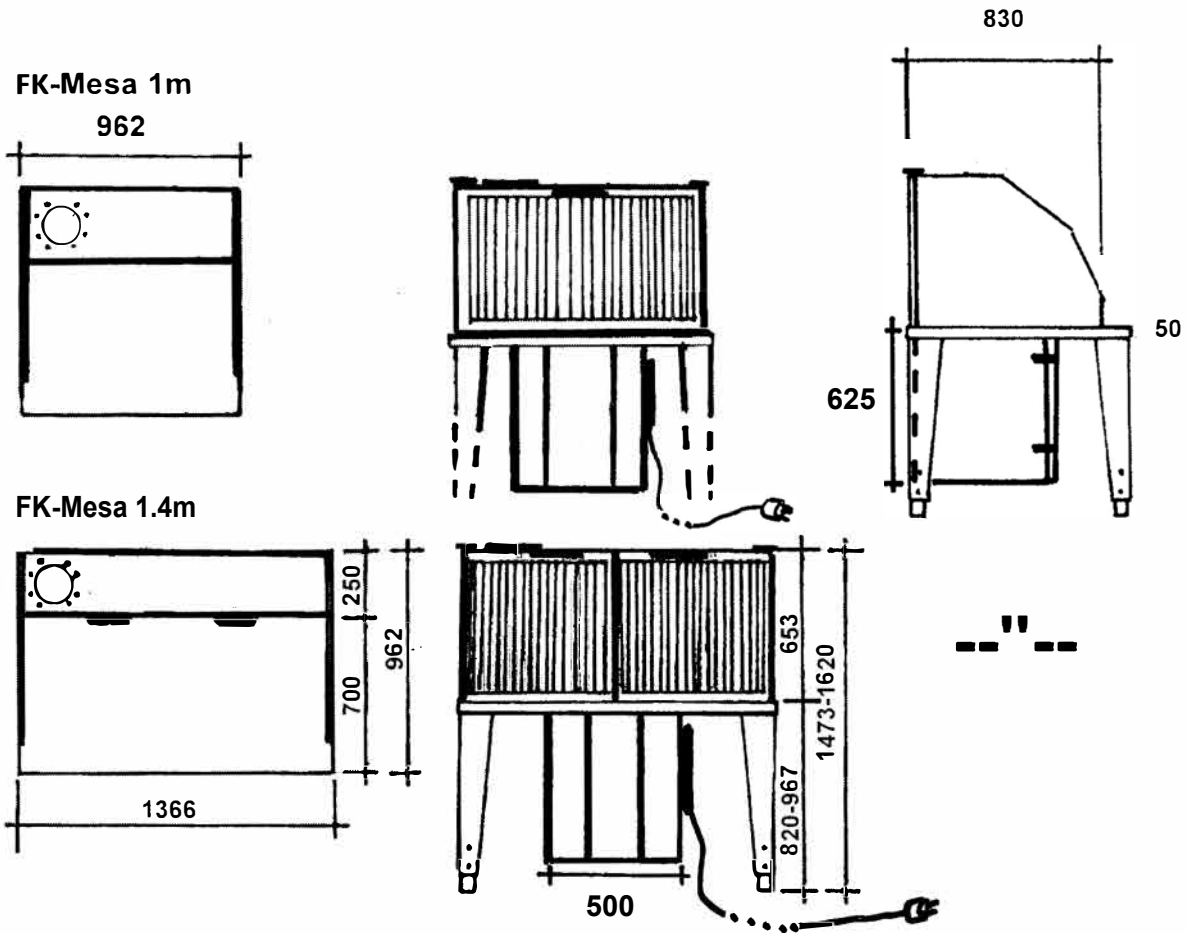
**When ordering Spare Parts please specify:**

- a. Name and P-number of Your Product.
- b. Number and Text from below.
- c. Quantity of each Spare Part.

1. Door with 4xExenter Lock.
2. Pre-Filter of Alu Mesh. Washable.
3. Active Carbon Filter Cartridge (9m<sup>2</sup>).
4. Fan Impellar.
5. Fan Housing.
6. Electric Motor 1-phase/1.1kW/220V/50 Hz.
7. Electric On/Off Switch with Overload Protection.
8. Electric Box with 2xM8x35mm Hex Socket Button Bolts.
9. Cable Gland.
10. Motor Cable from Motor to On/Off Switch.
11. Cable with Plug.
12. Leg height adjustable 150mm.
13. Table Top 1m(W)x1m(D)x3mm.
14. Table Top White 1.4m(W)x1m(D)x3mm.
15. Side Shields 650mm High with Quickrelease and Hinges.
16. Back Box 650mm Highx1m Wide prepared for Extraction-Arm 1.5/2/3m.
17. Back Box 650mm Highx1.4m Wide prepared for Extraction-Arm 1.5/2/3m.
18. Horizontal Guillotine Damper with Handle for 1m Wide Back Box.
19. Horizontal Guillotine Damper with Handle for 1.4m Wide Back Box.
20. Cover over hole for Extraction-Arm.
21. Handle for horizontal adjustment of Guillotine Damper.
22. Hinge-Ear for Side Panel.
23. Adjustable part of Leg.
24. Quickrelease for Side Shield.

**Measures(mm.): FK-Mesa 1 m/1 .4m.**

The measures on FK-Mesa 1m are the same as on 1.4m if not written out.



**Extraction-Arm (Accessory).**

Seen from the front side, on the top to the left is a hole prepared for mounting of an Extraction-Arm 1.5/2/3m. It has 8xM8 Pop-Nut Threads. It is covered with a bolted steel lid.

**Technical Data:**

Total weight Unit

**FK-Mesa 1m**

150kg.

**FK-Mesa 1.4m**

190kg.

Max. Weight on Table:

100kg.

100kg.

Initial Extraction m<sup>3</sup>/h:

ca.1000

ca.1000

Electric Motor 1-phase:

1.1kW/220V/50Hz

1.1kW/220V/50Hz

Electric Cable with plug:

4m

4m

Surface treatment:

All Powder Coated

All Powder Coated

Side Shields with Hinges:

Quick Release

Quick Release



## **Accessory: Flexi FLB Extraction-Arm 1.5/2/3m d.160mm.**



**P-788=1.5m/d.160mm.**

**P-789=2m/d.160mm.**

**P-790=3m/d.160mm.**

### **General Information.**

The Flexi FLB Exreaction-Arms are for mounting on Tables/Mobile-Filters/ Super-Mesa Filter-Tables/Maxi-Mesa Filter-Tables and FK-Mesa Filter-Tables. They are designed to extract Dust,Fume and Gases. The swivel allows the Arm to be rotated 360 degrees.The flame-proof flexible hose, with covered steelspiral, has a parallelogram system inside to balance the hose and hood. This makes the Hood extremely easy to move to a new position, and it will stay there.

The Flexi steel hood is black painted and can be turned 90 degrees in all directions. It can easily be positioned at any point within the working area.

### **Application**

The Flexi FLB can be mounted on Super-Mesa/Maxi-Mesa and FK-Mesa Extraction-Tables. The top of the unit has a prepared mounting place with 8xM8 threads. You can easily mount the arm even after the Mesa Table is in use. There are 1.5m, 2m and 3m models with dia.160mm hose.

With a 3m FLB Extraction-Arm the unit has not just a Clean Air Table but can also cover and exhaust contaminated air in a 3x3m work both.

Recomended airflow for d.160mm Arms is 600-1000m<sup>3</sup>/h.

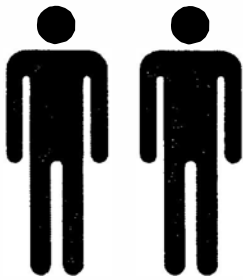
### **Mounting.**

Please see description which will come with the FLB Extraction-Arm.

## **Accessory: Mesa Pistol Holder for Left or Right mounting. P-998.**

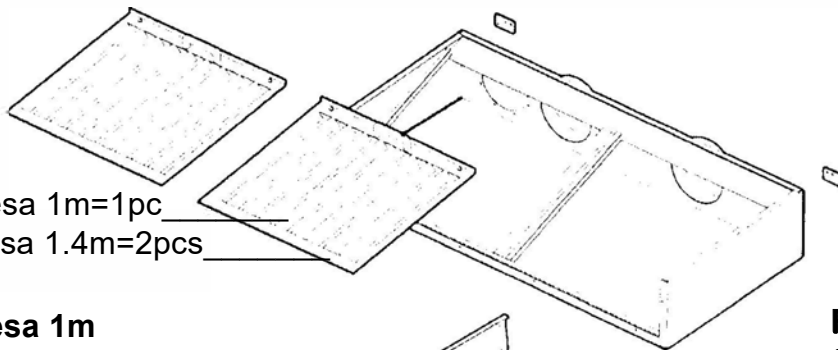
The Mesa Pistol Holder come with 2xM8x20mm Bolts with Locking Nuts. It can be mounted to the right or the left of the Front Leg in prepared holds. The holder can be adjusted to a suitable angle.

## 1.4 Assembling FK-Mesa 1m/1.4m.



Weight Ca. 150kg/190kg

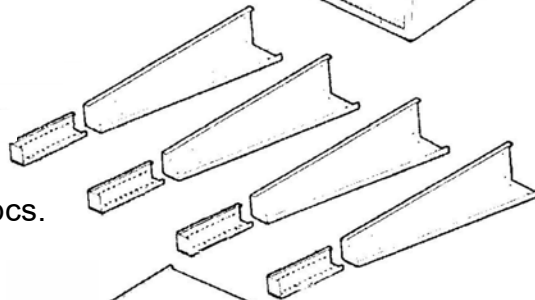
The FK-Mesa 1m is assembled in the same way as FK-Mesa 1.4m.



FK-Mesa 1m=1pc  
FK.Mesa 1.4m=2pcs

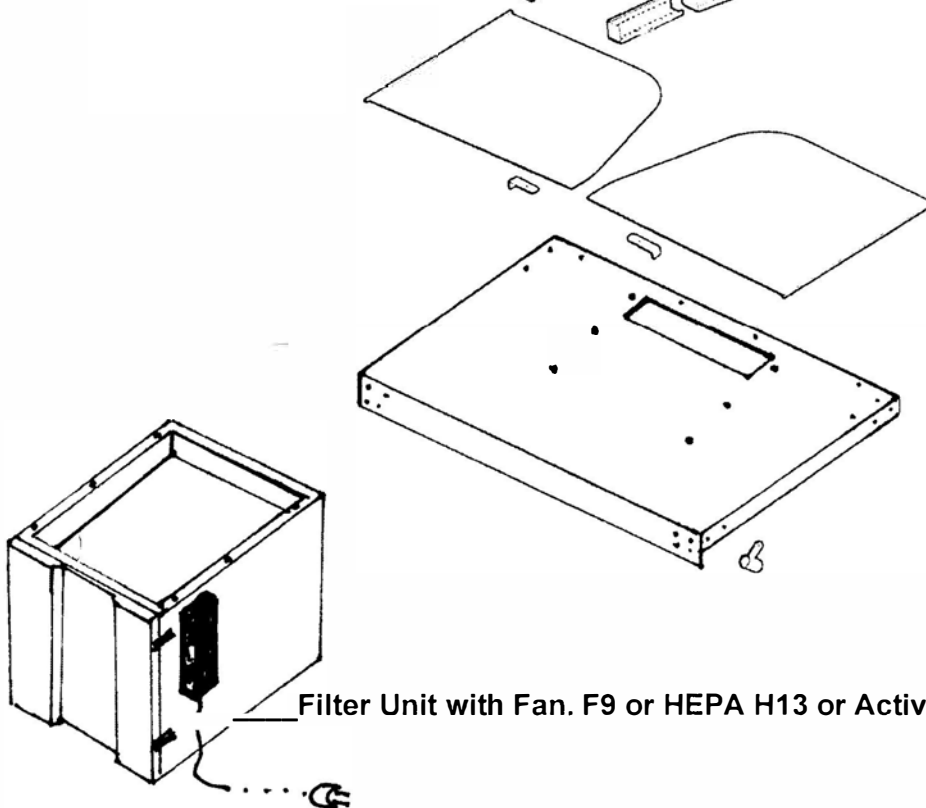
### FK-Mesa 1m

M8x20mm=43 pcs.  
M8 Locking=43 pcs.  
M8 Washer=2 pcs.  
M8x10mm=2 pcs.  
M6x16 Countersunk=6 pcs.



### FK-Mesa 1.4m

M8x20mm=44 pcs.  
M8 Locking=44 pcs.  
M8 Washer=2 pcs.  
M8x10mm=4 pcs.  
M6x16 Countersunk=6 pcs.

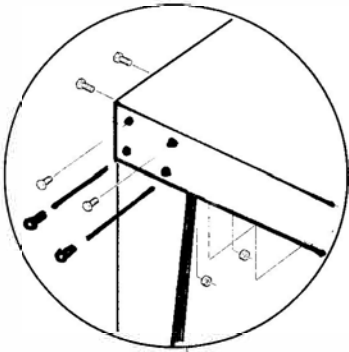


Filter Unit with Fan. F9 or HEPA H13 or Active Carbon.

# Recomended Assembling Steps.

1

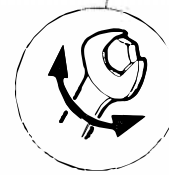
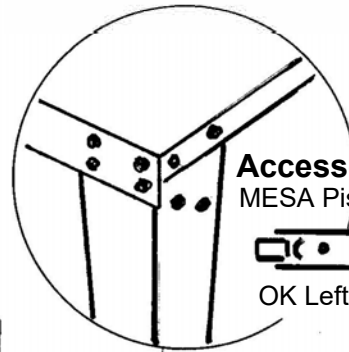
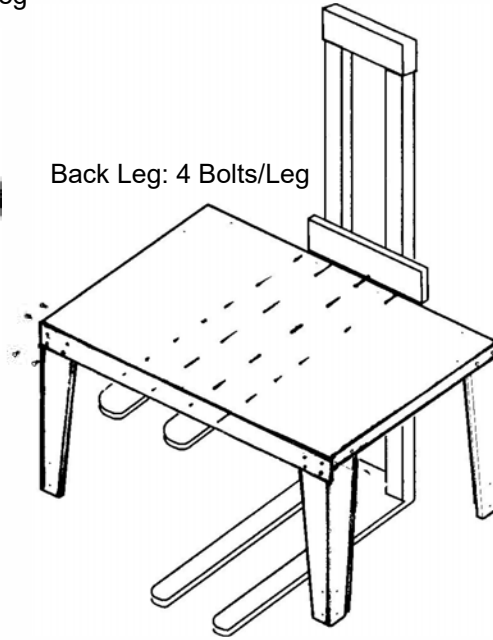
Front Leg: 6 Bolts/Leg



13 mm

M8x20 mm: 6+6+4+4  
M8 Locking: 20 pcs.

Back Leg: 4 Bolts/Leg



13 mm

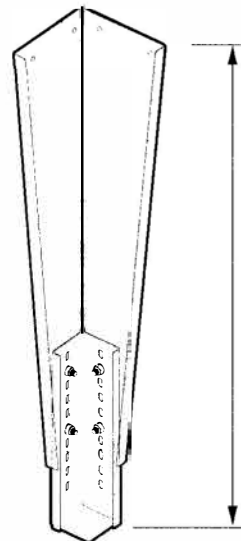
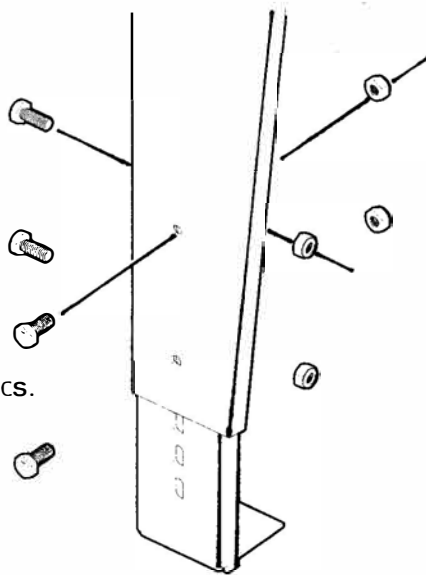
M8x20 mm: 2pcs.  
M8 Locking 2pcs.

**Accessory**  
MESA Pistol Holder.  
P-998  
OK Left or Right.

2



13 mm  
M8x20 : 16 pcs.  
M8 Locking: 16pcs.



80 - 95 cm

**3**

**Prepared for Extraction-Arm.**

M8 Pop Nut Threads: 8pcs. with Steel Lid.

**3a.**

13mm



M8x20

M8 Locking

FK-Mesa 1m: 5 pcs.

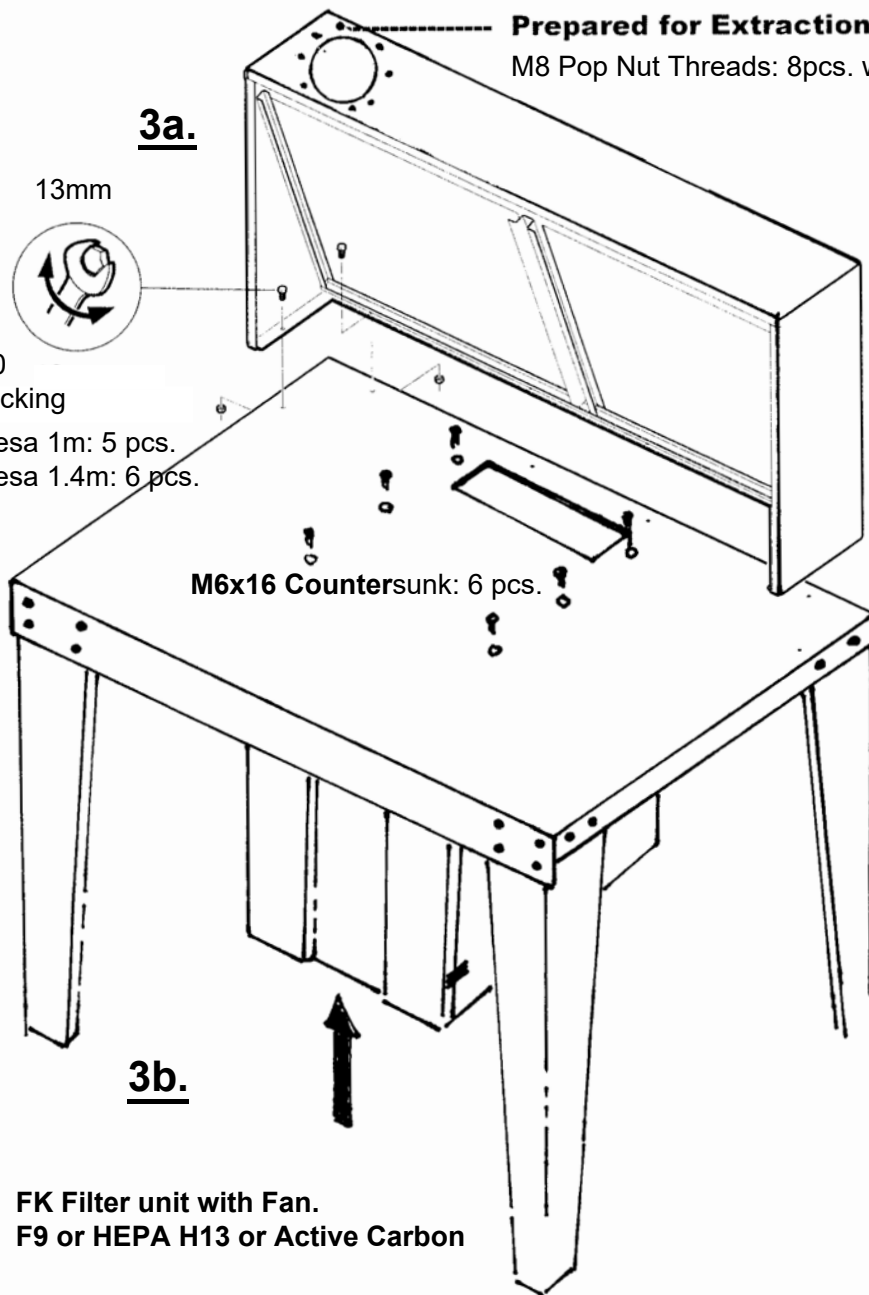
FK-Mesa 1.4m: 6 pcs.

M6x16 Countersunk: 6 pcs.

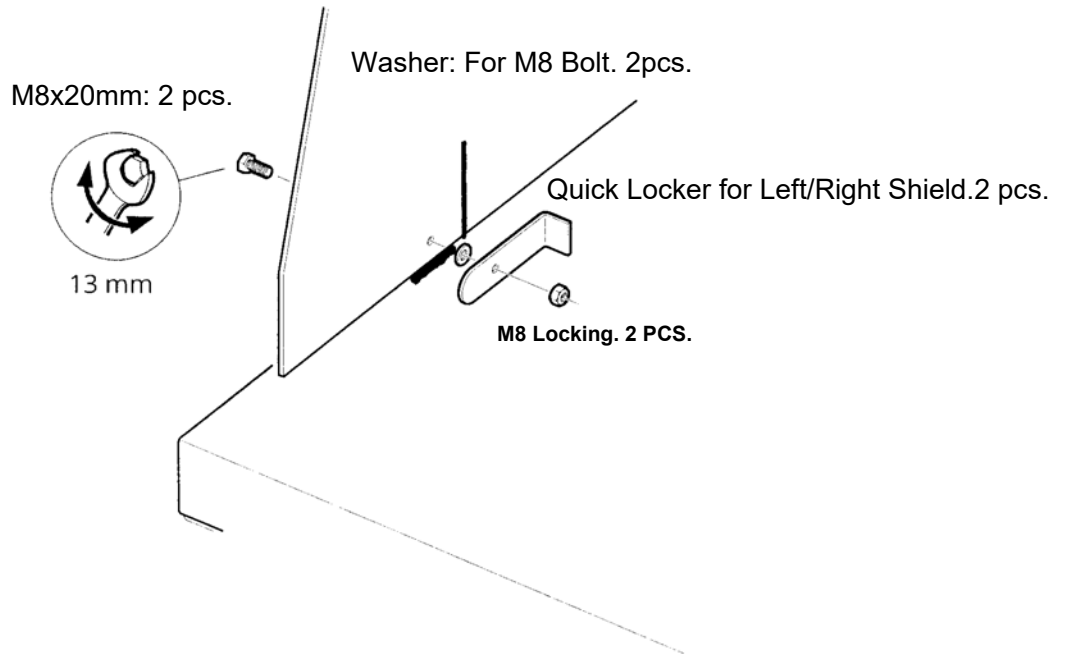
**3b.**

FK Filter unit with Fan.

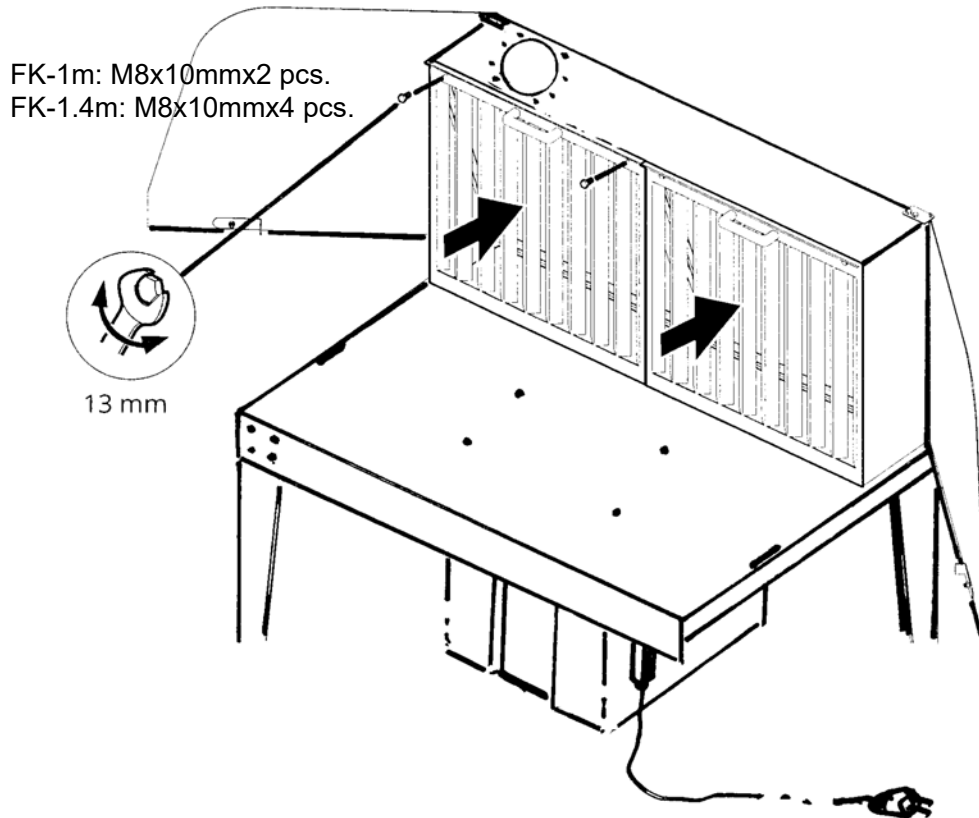
F9 or HEPA H13 or Active Carbon



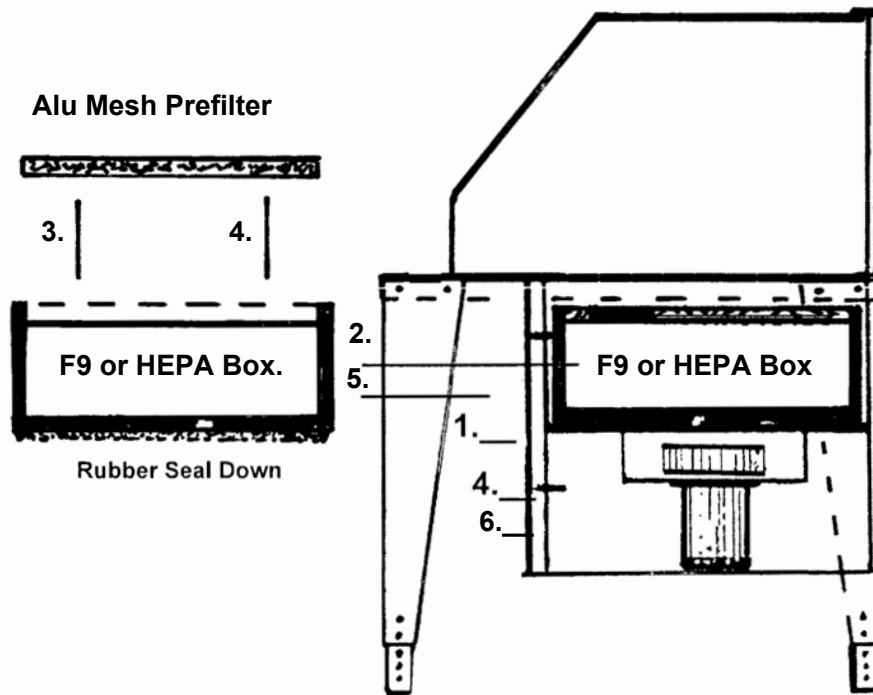
#### 4. Quick Release for Side Shields.



#### 5. Guillotine Damper for FK-Mesa 1m=1 psc. Guillotine Damper for FK-Mesa 1.4m=2 Pcs



## 1.5.1 Change of Filter: F9 or HEPA H13.

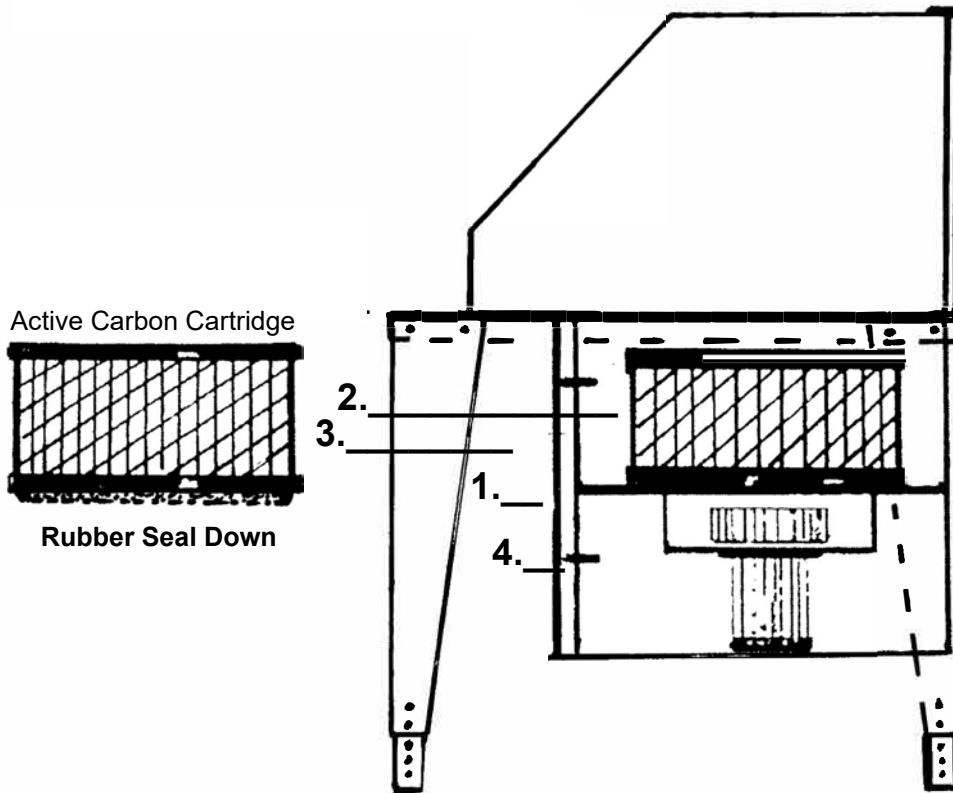


Switch off the Fan and Use adequate safety Clothing.

### Recommended Steps to Replace a F9- or HEPA H13 Filter Box.

1. Open the 4 Exenter Locks on the Door and lift it off. Put it in a safe place.
2. Pull out the Filter Box.
3. Take out the Alu Mesh Prefilter from the top of the Filter Box. Clean/Wash it.
4. Take a Replacement Filter Box and put the cleaed Alu Mesh Prefilter in the Top.
5. Put in in the Replacemen Filter Box with the SEAL DOWNWARDS!!
6. Put back the Door and lock it with the 4 Exenter Locks.
7. The FK-Mesa Filter-Table is now ready for use again.
8. Dispose of the old Filter Cartridge according to Local Laws and Regulations.

## 1.5.2 Change of Filter: Active Carbon 15Ltr.



Switch off the Fan and Use adequate safety Clothing.

Recommended Steps to Replace an Active Carbon Filter Cartridge 15Ltr.

1. Open the 4 Exenter Locks on the Door and lift it off.  
Place it in a safe Place.
2. Pull out the Cartridge.
3. Put in a replacemen Filter Cartridge with the SEAL DOWNWARDS!!  
Be sure it is centered around the inlet of the Fan.
4. Put back the Door and lock it with the 4 Exenter Locks.
5. The FK-Mesa Filter-Table is now ready for use again.
6. Dispose of the old Filter Cartridge according to Local Laws and Regulations.

## **2.0 Maintenance.**

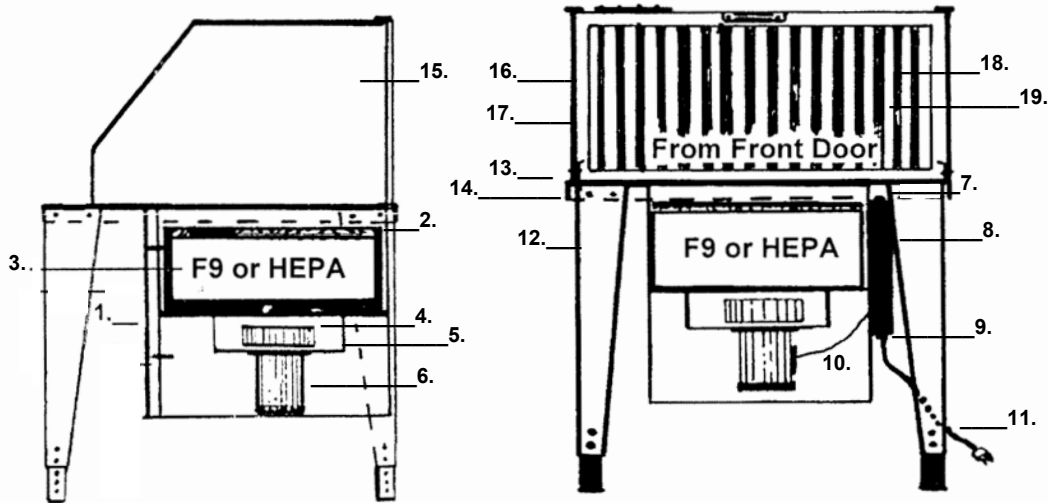
### **2.1 General Information.**

**The FK-Mesa Extraction Tables are robust and normally don't need much maintenance. However the following should be checked at least 2 times a year.**

- 1. Check that all the bolts are tight and that the hinges are working safely.**
- 2. Check that the Horizontal Damper is working smoothly. If not demount and clean it. At the same time clean the area behind.**
- 3. If the FK-Mesa is equipped with an Extraction Arm (Accessory) check the hose. Small holes are no problem. If the Arm doesn't stay in position, loosen the hose and tighten the friction joints.**
- 4. Check the extraction. If it is not good enough follow the instructions below:
  - a. F9 or HEPA Models: Clean/wash the Alu Mesh Prefilter and replace the F9 or HEPA H13 Filter Box. See 1.5.1 above.**
  - b. Active Carbon Models: Replace the Active Carbon Filter Cartridge. See 1.5.2 above.****
- 5. You can without any problem replace the existing Filter with any of the other two types, if the work situation has changed.**
- 6. Check the Electric Cable. If there are damages on it you have to replace it. Use Plymoth original spare parts. A certified Electrician has to do the change.**
- 7. Check with the operator that the FK Table has the right height. If not adjust the legs.**



## 2.2.1 Spare Parts: FK-Mesa Filter-Table. F9 or HEPA.

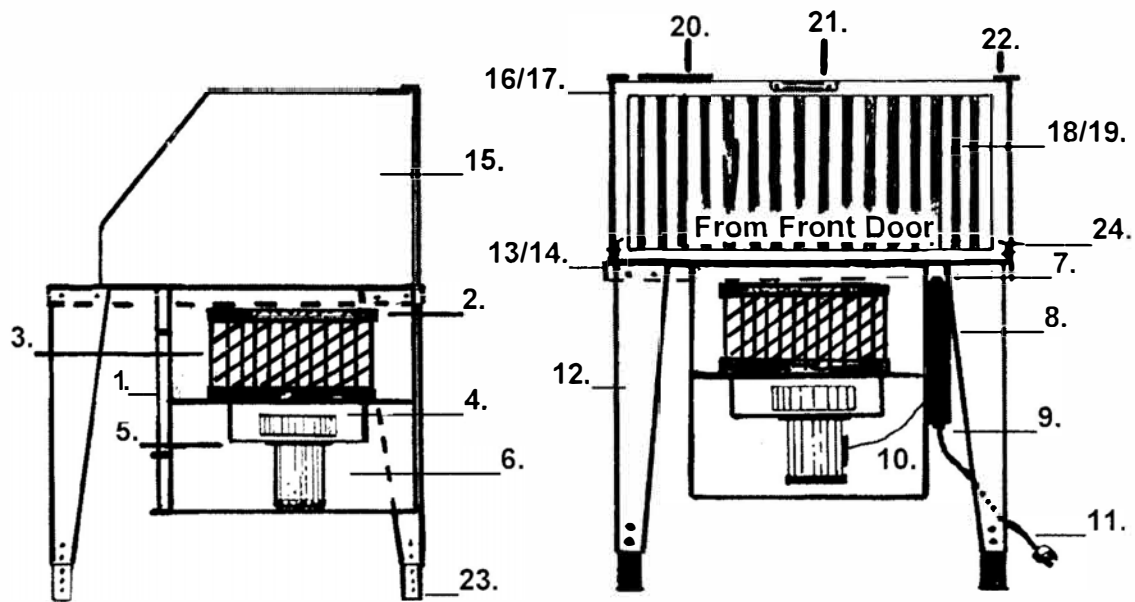


**When ordering Spare Parts please specify:**

- a. Name and P-number of Your Product.
- b. Number and Text from below.
- c. Quantity of each Spare Part.

1. Door with 4xExenter Lock, complete.
2. Pre-Filter of Alu Mesh. Washable.
3. 3a. F9(10m<sup>2</sup>) Filter Box.  
3b. HEPA H13(9m<sup>2</sup>) Filter Box.
4. Fan Impellar.
5. Fan Housing.
6. Electric Motor 1-phase/1.1kW/220V/50 Hz.
7. Electric on/off Switch with Overload Protection.
8. Electric Box with 2xM8x35mm Hex Socket Button Bolts.
9. Cable Gland for d. 20mm Hole.
10. Motor Cable from Motor to on/off Switch.
11. Cable with Plug.
12. Leg White height adjustable 150mm (1pc.).
13. Table Top White 1m(W)x1m(D)x3mm.
14. Table Top White 1.4m(W)x1m(D)x3mm.
15. Side Shield (1pc.) 650mm High (White).
16. Back Box 650mm Highx1m Wide (White).
17. Back Box 650mm Highx1.4m Wide (White).
18. Guillotine Damper White 1m Wide complete.
19. Guillotine Damper White for 1.4m Wide Back Box (1pc.).

## 2.2.2 Spare Parts: FK-Mesa Filter-Table. Active Carbon 15Ltr.



**When ordering Spare Parts please specify:**

- a. Name and P-number of Your Product.
- b. Number and Text from below.
- c. Quantity of each Spare Part.

1. Door with 4xExenter Lock.
2. Bolts M8x16 with Locking Nuts for Legs.
3. Active Carbon Filter Cartridge (15Ltr.).
4. Fan Impellar.
5. Fan Housing.
6. Electric Motor 1-phase/1.1kW/220V/50 Hz.
7. Electric On/Off Switch with Overload Protection.
8. Electric Box with 2xM8x35mm Hex Socket Button Bolts.
9. Cable Gland.
10. Motor Cable from Motor to On/Off Switch.
11. Cable with Plug.
12. Leg height adjustable 150mm White (1pc.).
13. Table Top 1m(W)x1m(D)x3mm. White.
14. Table Top White 1.4m(W)x1m(D)x3mm. White.
15. Side Shields 650mm High with Quickrelease and Hinges White.
16. Back Box 650mm Highx1m Wide. White.
17. Back Box 650mm Highx1.4m Wide. White.
18. Horizontal Guillotine Damper with Handle for 1m Wide Back Box. White.
19. Horizontal Guillotine Damper with Handle for 1.4m Wide Back Box. White.
20. Steel Cover over hole for Extraction-Arm.
21. Handle for horizontal adjustment of Guillotine Damper.
22. Hinge-Ear for Side Panel (2pcs.).
23. Adjustable part of Leg. White (1pc.).
24. Quickrelease for Side Shield. White (2pcs.).

## 2.2.3 Spare Parts Flexi FLB Extraction-Arm, 1.5m/2m/3m/dia.160mm for FK-Mesa. White.

SPARE PARTS

ERSATZTEILE

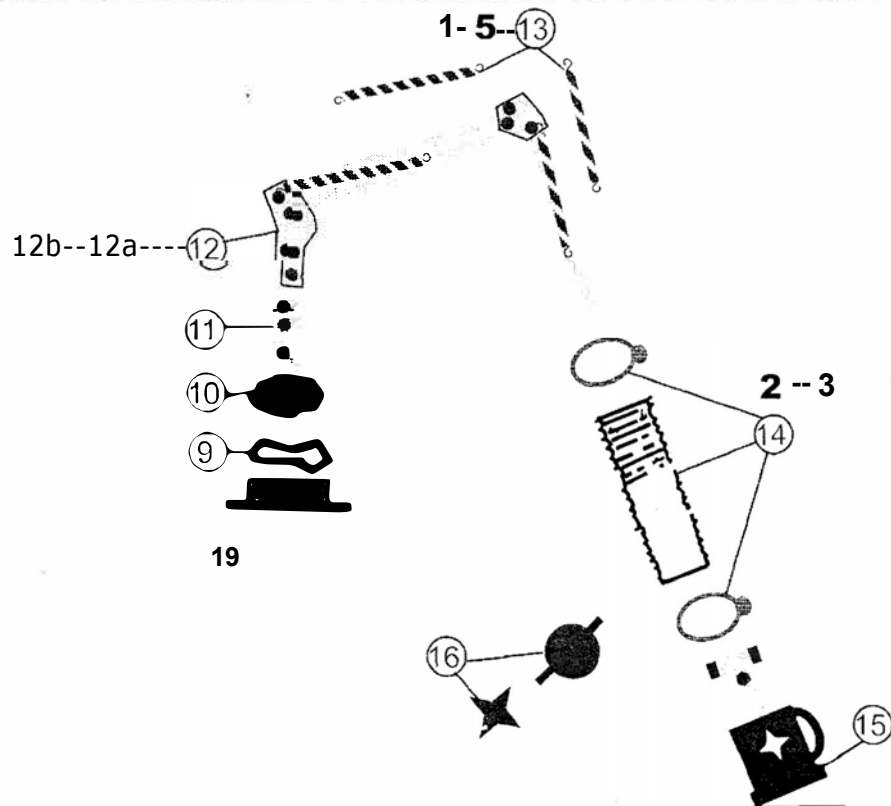
PIÈCES DE RECHANGE

PIEZAS DE REPUESTO

1.5m=P-788

2m=P-789

3m=P-790



### ENGLISH ORDER INSTRUCTION

When ordering spare parts always state:  
-Name of the Product.

-Detail no. of the spare part and the name as per list below.  
-Quantity of the parts required

### DEUTCH BESTELLANLEITUNG

Bei der Bestellung von Ersatzteilen immer angeben:  
- Ersatzteilnummer und Beschreibung (s. Liste unten).  
- Anzahl erforderlicher Ersatzteile.

### FRANCAIS INSTRUCTIONS DE COMMANDE

Lors de la commande de pièces de rechange, toujours spécifier:  
- Numéro de détail et dénomination (voir liste).  
- Quantités des pièces requises.

### ESPAÑOL INSTRUCCIONES DE PEDIDO

Cuando pida repuestos especifique siempre:  
- N° de pieza del repuesto (en la lista).  
- Cantidad de repuestos requeridos.

- |     |                           |
|-----|---------------------------|
| 1.  | Spring Set 1.5m Arm       |
| 2.  | Hose+Hose Clamps 1.5m Arm |
| 3.  | Hose+Hose Clamps 2m Arm   |
| 5.  | Spring Set 2m Arm         |
| 9.  | Rubber kollar             |
| 10. | Hose ring of Plastic      |
| 11. | Shaft                     |
| 12. | Inside Arm 1.5 m complete |
| 12a | inside Arm 2m complete    |
| 12b | Inside Arm 3m complete    |
| 13. | Spring set 3m Arm         |
| 14. | Hose+Clamps 3m Arm        |
| 15. | Hood, complete            |
| 16. | Damper set                |
| 19  | Arm Holder                |



### Declaration of conformity

We, J. Plymoth AB, declare under our sole responsibility that the product lines **MF-F9/HEPA, MF-Active Carbon, MF-Eco/F9, MF-Eco/HEPA, MF-Filter-Tables, MF-Eco Filter-Tables, FK-Mesa Backdraft Filter-Tables, MKF Filter-Tables, Labbe, MF-Lab, MF-Eco Lab, CF Central Filters, Mobo-Oil, Denta-Flex, Fica-Flex and VBF-Office** to which this declaration relates is in conformity with Directives 2006/42/EC, 2014/30/EU, 2011/65/EU and Standards EN 60204-1:2006, EN ISO 12100:2010, EN ISO 15012-1:2013, EN 61000-6-2:2005, EN 61000-6-3:2007, EN ISO 20607:2019.

J. Plymoth AB  
Traryds Allen 4D  
28772 Traryd

87

A handwritten signature in blue ink, appearing to read 'Jenny Nilsson', is written over the printed name and title. The signature is fluid and cursive.

Jenny Nilsson  
Verkställande Direktör

2023-01-01