

# Technical Data

## Mobi-Oil 2m/3m. Dia.160mm.

### Oil-and Coolant mist.

Mobi-oil is a Mobile Extractor-Filter for extraction and filtration of coolant mist and light oil mist from lathes, milling machines, drilling machines or other machines with the same problems.

### Easy to use.

Move the Mobi-Oil to the machine. Plug it into an electric socket and start to use it. The super flexible Extraction-Arm 2m or 3m (To be ordered separately) makes it very simple to put the hood into the right position. Adjust the damper in the hood so just the mist is exhausted, but no unnecessary liquid. No bad air or slippery floors any longer.

### Liquid Containers.

The filtered liquid is collected at the bottom of the Mobi-Oil in 2 plastic containers. You can see from the outside when a container is full. Then just move the hose, which is equipped with a quick connector, to the empty one. No down time! Then empty the full container and put it back. The liquid can normally be reused in the machine.



### Five Step Filtration - 99.95% Efficiency.

1) Inlet "Splash Plate". 2) Expansion Chamber. 3) Labyrinth Filter. 4) Long Life nailed Glass-fiber Cassette with Alu Separators. 5) HEPA H13 FILTER. (1-3 can be cleaned).

	Art. No.
<b>Mobi-Oil.</b> 1-phase/0.75kW/220V/50Hz. Start/stop. 4m Cable with Plug. All Filters included. 4 Heavy Duty Castors with Brakes. 550mm(W)x780mm(D)x1430mm(H).	P-603
<b>Mobi-Oil.</b> 3-phase/0.75kW/440V/50Hz. Start/stop (no Cable). All filters included. 4 Heavy Duty Castors with Brakes. 550mm(W)x780mm(D)x1430mm(H).	P-604
<b>Flexi Oil Mist Extraction Arm 2m.</b> Diameter 160mm with turning flange and damper.	P-606
<b>Flexi Oil Mist Extraction Arm 3m.</b> Diameter 160mm with turning flange and damper.	P-607
<b>Replacement HEPA Filter H13 9m<sup>2</sup>.</b>	P-596
<b>Replacement Cassette Filter.</b> Nailed Glass-fiber with Aluminum Separators (4.5+4.5m <sup>2</sup> ).	P-600

# Unit Description

HEPA-Filter: Meets all environmental certification requirements. Degree of separation 99.99%. Not possible to wash but easy to replace.

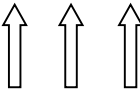
Fan, Switch and 2xPressure Gauges

Fiber Glass Cassette with Alu. Separators. Door

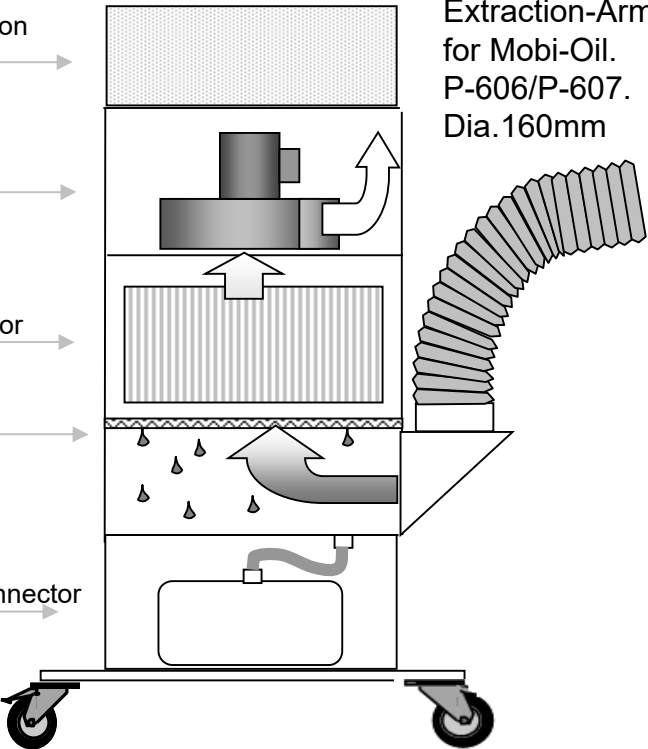
Labyrinth-Filter

2 x liquid containers and 1xHose with Quick Connector

Cleaned air



2m or 3m Flexi  
Extraction-Arm  
for Mobi-Oil.  
P-606/P-607.  
Dia.160mm



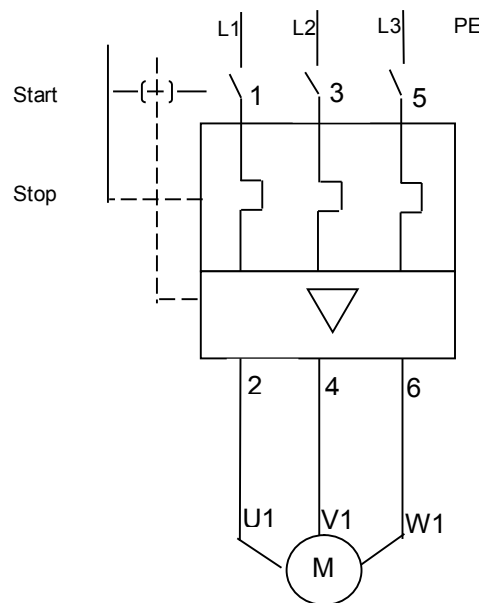
4xPivoting wheels with brakes

## Electrical Information.

Mobi-Oil 1 Phase comes complete with switch with overload protection, 4m cable and plug .

Mobi-Oil 3-Phase comes with switch with overload protection, but without cable and plug..

The electrical installation of the 3-phase unit is only to be done by a qualified and licensed electrician.



## Technical Data

Dimension:	Length:	610mm
	Width:	550mm
	Height:	1.480mm (with HEPA-Filter)
Filter surface:	Fiber Filter:	4,5 + 4,5m <sup>2</sup>
	HEPA H13 Filter:	9m <sup>2</sup>

AIR INTAKE FOR DIAMETER 160/200mm INLET FLANGE or FOR 2M OR 3M Dia. 160mm EXTRACTION-ARM.

## **Flexi Extraction-Arms for Mobi-Oil. P-606 and P-607.**

### **General Information.**

The Flexi Extraction-Arms for mounting on Mobi-Oil, are designed to extract coolant mist and light oil mist. They have a swivel which allows the Arm to be rotated 360 degrees. The flame-proof flexible hose, with covered steelspiral, has a parallelogram system inside to balance the hose and hood. This makes the Hood extremely easy to move to a new position and will stay there.

The Flexi steel hood is black painted and can be turned 90 degrees in all directions and has a built in Damper. It can easily be positioned at any point within the working area.

The Flexi Extraction-Arms 2m and 3m with dia.160mm for Mobi-Oil can be mounted directly to the inlet of the unit.

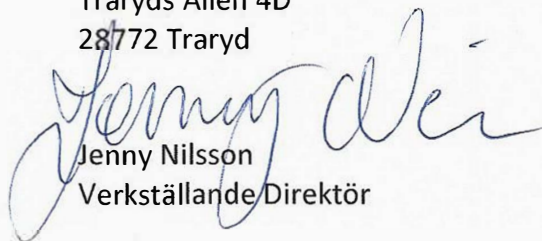
Max temperature of the exhausted air is 70 Degrees Celsius.



**Declaration of conformity**

We, J. Plymoth AB, declare under our sole responsibility that the product lines **Flexa, Chemikus, Flexi, Super-Max and Super-Vac Extraction-Arms** to which this declaration relates is in conformity with Directives 2006/42/EC and Standards EN ISO 12100:2010 and EN ISO20607;2019.

J. Plymoth AB  
Traryds Allen 4D  
28772 Traryd

  
Jenny Nilsson  
Verkställande Direktör

2023-01-01



### **Declaration of conformity**

We, J. Plymoth AB, declare under our sole responsibility that the product lines **WF-Eco, MF-F9/HEPA, MF-Active Carbon, MF-HEPA/W3 18M2, MF-Eco/F9, MF-Eco/HEPA, MF-Filter-Tables, MF-Eco**

**Filter-Tables, FK-Mesa Backdraft Filter-Tables, MKF Filter-Tables, Labbe, MF-Lab, MF-Eco Lab, CF Central Filters, Mobo-Oil, Denta-Flex, Fica-Flex and VBF-Office** to which this declaration relates is in conformity with Directives 2006/42/EC, 2014/30/EU, 2011/65/EU and Standards EN 60204-1:2006, EN ISO 12100:2010, EN ISO 15012-1:2013, EN 61000-6-2005, EN 61000-6-3:2007, EN ISO 20607:2019.

J. Plymoth AB  
Traryds Allen 4D  
28772 Traryd

  
Jenny Nilsson  
Verkställande Direktör

2023-01-01