

Technical Data

VBF-OFFICE 700/1000



VBF-Office 700/1000 with HEPA H14 Filter for Virus and Bacteria. Be prepared for future Pandemics and fight the Micro-Particles in the Air.

- Professional Airpurifier for cleaning air from Virus and Bacteria.
- 700m³/h or 1000m³/h Models for max. 50m² or 70m² Rooms.
- It is recommended to clean the air in a room 6 times/h.
- The HEPA H14 Filter has more than 99.995% efficiency on Micro-Particles and Virus/Bacteria.
- Less "Sick Leave" because of common Colds, keeps costs down.
- The World Health Organization (WHO) says that Micro-Particles, in the air in Cities, cause millions of deaths in Respiratory Diseases every year. And it will become worse!

*Use Google Translate to translate to your own language. translate.google.com

1.3 Unit Description.

VBF-OFFICE 700/1000 HEPA H14 Professional Airpurifiers.

Professional Airpurifiers for Coffee-, Lunch- and Meeting Rooms, Offices, Schools, Restaurants, Fitnessstudios, Changing Rooms and so on.....



AG=Alu-Grey

OB=Ozean Blue

MB=Mahogany

GB=Grey Black

Combat Covid 19 and Normal Colds “Where People Meet”.

Plymoth VBF-OFFICE HEPA H14 professional Airpurifiers are used indoors for reducing Corona- and other Virus in the air. The cleaned air is blown out upwards in 30 degree angle, in 4 directions, to reach far into a room. Suitable for placing in the middle of a room or against a wall. 3 Flow Stops are included to make it possible to decide which directions shall be open. Over 99.995% filtration efficiency.

It is recommended to filter the total air volume in a room 6 times/hour or more. The VBF-OFFICE/700 model is for rooms up to 50m²/2.5m high and the VBF-OFFICE/1000 model for rooms up to 70m²/2.5m high. After a short while the Virus and Bacteria in the air is reduced with 98-99%.

You also reduce the spread of normal colds and get less dust in the air which reduces cleaning costs.

The VBF-OFFICE models are designed with 4-stage filtration:

1. **Inlet Prefilter** at the bottom for larger particles. Washable Aluminum mesh.
2. **Prefilter G4.** Makes the HEPA H14 filter last longer.
3. **HEPA H14 filter.** VBF-700/8m² and VBF-1000/13m². **With Certificate and Leak test.**
4. **Outlet Filter** in the upper part. Made of washable Aluminum mesh.

For your Safety each HEPA H14 filter is delivered with a **Certificate and is leak tested.** The efficiency is over 99.995% on particles and Virus which are down to 0.1 micrometer. The Filters are manufactured in Europe by a HEPA H14 specialist, well known all over the world. It is recommended to replace the G4 Prefilter and the HEPA H14 Filter once a year.

All VBF Airpurifiers are designed with 1-phase, 220V EC motors. Just plug it in. You can adjust the air volume to levels where you hardly hear it.

An Investment in a Plymoth Airpurifier is often paid back in less than a year. You get Less Sick-Leave and Lower Cleaning Costs.

The Plymoth VBF-OFFICE Airpurifiers are designed in a very robust way and of highest quality materials.

They are delivered with **4x125mm castors** with brakes. **Legs 125mm high** can be ordered separately. The door of all VBF filters is locked with 2 bolts to avoid that it is opened by mistake.

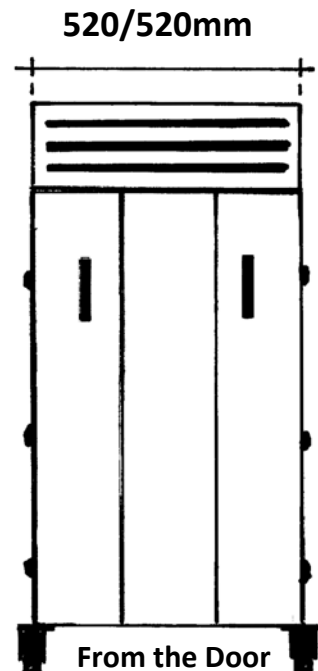
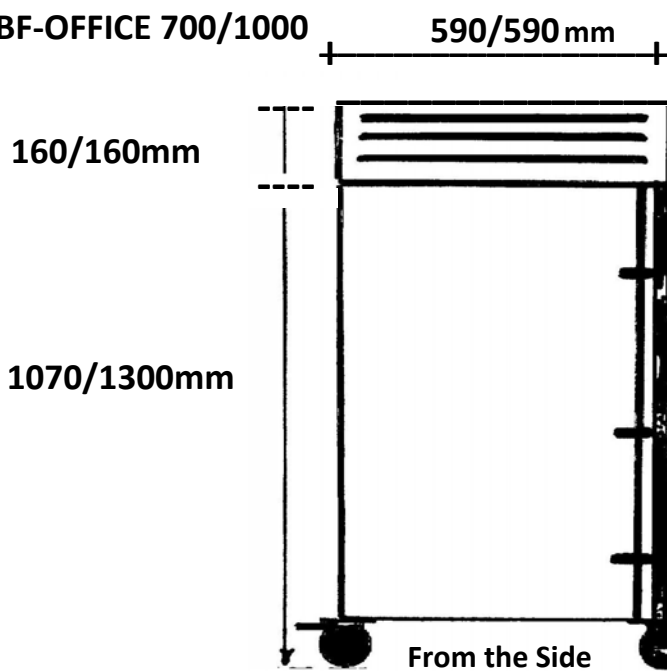


Noice Level (dB/A):

Noiselevel VBF (2m Distance-1,5m Hight)			
VBF-700		VBF-1000	
700 m³/h	59 dB/A	900 m³/h	66 dB/A
400 m³/h	53 dB/A	700 m³/h	63 dB/A
300 m³/h	49 dB/A	450 m³/h	57 dB/A
200 m³/h	44 dB/A	300 m³/h	49 dB/A
150 m³/h	39 dB/A	250 m³/h	46 dB/A
		200 m³/h	43 dB/A

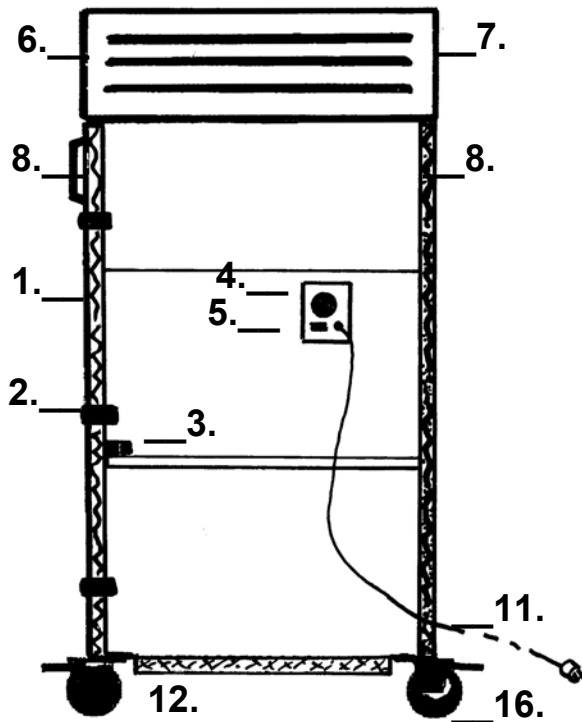
Measures (mm):

VBF-OFFICE 700/1000

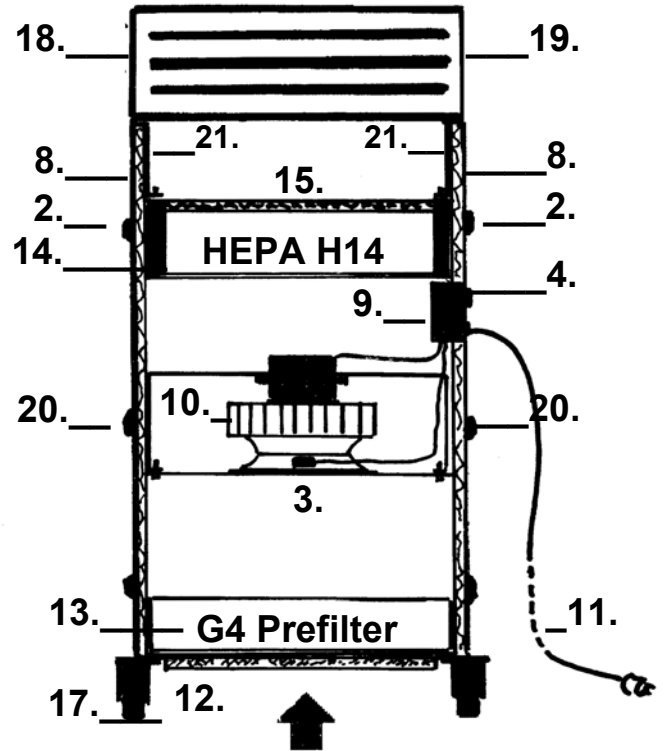


Design VBF-OFFICE 700/1000

From Side



From Door



1. Door with 2xHandle.
2. Expander Locks 6pcs. Two with Locking Bolts (20).
3. Electric Safety Braker for the Fan. Brakes the current when the door opens.
4. Speed regulation Knob.
5. On/Off Switch.
6. Clean Air Outlet 30° upwards.
7. Clean Air Outlet 30° upwards.
8. Sound Insulation.
9. Electric Box.
10. Fan with 1-phase/220V/EC-Motor.
11. Electric Cable with plug.
12. Alu-Mesh Pre-filter.
13. G4 Pre-filter.
14. HEPA H14 Filter.
15. Alu-Mesh Afterfilter. Particles and Spark Trap.
16. Castors with Brakes (4pcs) 125mm high.
17. Legs 125mm high (4pcs) Accessory.
18. Clean Air Outlet 30° upwards.
19. Clean Air Outlet 30° upwards.
20. Two of the Expander Locks are with Locking Bolts as extra safety.
21. HEPA H14 Filter holders. 3 pcs.

Technical Data VBF-OFFICE 700/1000.

Technical Data	VBF-Office 700
Measure	615(D)x 580(W)x1230mm(H).
Motor/Fan EC	1-Phase/230V/175W/50Hz.
Pre Filter 1	Alu Mesh. 425x425x14mm.
Pre Filter 2 (1.3m2)	F5/G4. ISO COARE 70%.
HEPA H14 (8m2)	EN 1822 (99.995%) Certificate and Leak Test.
Adjustable Air Flow	150-700m3/h.
Rec. Air Changes	6 Times/h. Max 50m2 Room.
Sound-Insulation	Entire Box 25mm thick.
Noise Level	2m distance 35-59 dB(A).
Cable and Plug	4m.
Castors w. Brakes	4 Pcs. 125mm high.
Flow Stop Covers	3 Pcs

Technical Data	VBF-Office 1000
Measure (Floor)	615(D)x 580(W)x1460mm(H).
Motor/Fan EC	1-Phase/230V/350W/50Hz.
Prefilter 1	Alu Mesh. 425x425x14mm.
Prefilter 2 (2.6m2)	F5/ G4. ISO COARE 70%.
HEPA H14 (13m2)	EN 1822 (99.995%) Certificate and Leak Test.
Adjustable Air Flow	200-900m3/h.
Rec. Air Changes	6 Times/h. Max 70m2 Room
Sound-Insulation	Entire Box 25mm thick.
Noise Level	2m distance 43-66 dB(A).
Cable and Plug	4m.
Castors w. Brakes	4 Pcs. 125mm high.
Flow Stop Covers	3 Pcs

1.4 Installation.

VBF-OFFICE 700 and VBF-OFFICE 1000 are delivered ready for use. Just mount the Castors or the Legs (Accessory) and "Plug it in".





Declaration of conformity

We, J. Plymoth AB, declare under our sole responsibility that the product lines **MF-F9/HEPA, MF-Active Carbon, MF-Eco/F9, MF-Eco/HEPA, MF-Filter-Tables, MF-Eco Filter-Tables, FK-Mesa Backdraft Filter-Tables, MKF Filter-Tables, Labbe, CF-Lab, CF-Eco Lab, CF Central Filters, Mobo-Oil, Denta-Flex, Fica-Flex and VBF-Office** to which this declaration relates is in conformity with Directives 2006/42/EC, 2014/30/EU, 2011/65/EU and Standards EN 60204-1:2006, EN ISO 12100:2010, EN ISO 15012-1:2013, EN 61000-6-2:2005, EN 61000-6-3:2007, EN ISO 20607:2019.

J. Plymoth AB
Traryds Allen 4D
28772 Traryd

87

A handwritten signature in blue ink, appearing to read 'Jenny Nilsson', is written over the printed name and title.

Jenny Nilsson
Verkställande Direktör

2023-01-01