

Technical Data



MF Filter-Table/Low. F9- or HEPA H13 Filter Box.

- **Downdraft Filter-Table for Sitting Work Position. "Plug and Play".**
- **Fume and Dust is extracted downwards instead of being inhaled.**
- **Models with F9 Filter Box (9m²) or HEPA H13 Filter Box (9m²).**
- **F9 Models Suitable for filtration of light welding fume and light dust.**
- **HEPA H13 Models for light Stainless Steel welding and Fine Dust.**
- **Can be equipped with Side- and Back Panels with "Quick Release".**
- **Height adjustable 0.65-0.8m.**
- **Clean Air Outlet at the Bottom of the Unit.**
- *** Castors are Accessories. Height adjustable Legs are standard.**

MF Filter-Tables/Low with different Tops and Back/Side Panels .



Basic with Feet.
Table 0.7m(D)x0.6m(W).



Basic with Feet.
Table 0.7m(D)x0.9m(W).



Basic+Castors.
Table 0.7m(D)x0.6m(W).



With 0.2m high Back/Side Shields.
Table 0.7m(D)x0.6m(W).



With 0.2m high Back/Side Shields.
Table 0.7m(D)x0.9m(W).



As to the left+Castors.
Table 0.7m(D)x0.6m(W).



With 0.4m high Back/Side Shields.
Table 0.7m(D)x0.6m(W).



With 0.4m high Back/Side Shields.
Table 0.7m(D)x0.9m(W).



As to the left+Castors.
Table 0.7m(D)x0.6m(W).



"Quick Release".

The Side Panels can be demounted in seconds. Just lift and pull back and it will be loose.

General Information.

A MF Downdraft Filter-Table Low is an easy and efficient way to create a work friendly booth with clean air.

The Low models are for a sitting work position. The table top of 4mm thick steel is either 0.6m(W)x0.7m(D) or 0.9mx0.7m.

The table top height can be adjusted from 0.65m-0.8m and can be equipped with side and back shields, 200 or 400mm high. Always an ergonomical work position

The unit is simple to install. Just plug it into an electric socket. Ready for use! The contaminated air is exhausted downwards and not inhaled. Then the cleaned air is returned to the room at the bottom of the unit.

MF Downdraft Filter-Tables can be used for all sort of work where extraction and filtration of fume and dust is needed. Perfect for light welding and grinding in shoos and other places where light dust and fume is generated.

The models with HEPA H13/W3 filter box are suitable for light stainless steel welding and very fine dust.

The F9 and HEPA H13 Filter boxes are both equipped with an Alu Mesh prefilter which is washable.

The Door has 4 expander locks to make it easy to open and lock. 4 locks makes sure that the door is tight.

To replace the filter box you open the door and pull it out and replace it with a new. The Alu Spark Trap on top of the box shall be cleaned and reused.

Safety Note

Always disconnect the electricity supply before opening the Filter-Table.

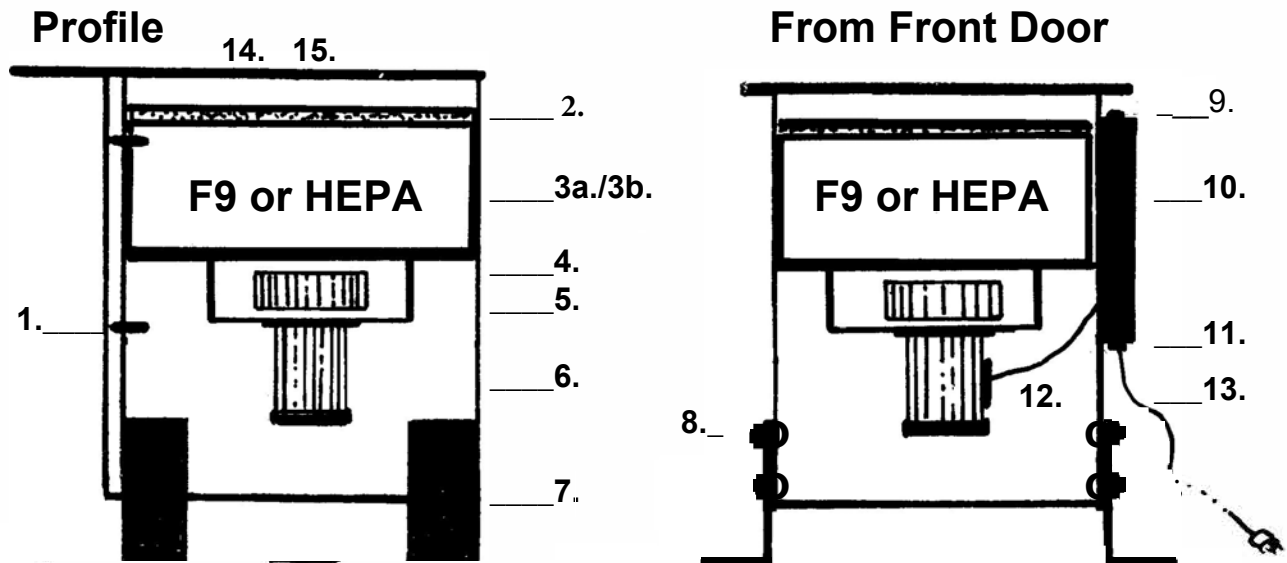
Don't exhaust Sparks or Poisenous Dust.

Use adequate safety clothing when replacing dirty filter boxes. Dispose of used filter Boxes/cartridges according to local laws and regulations.

Range of Application.

The MF Filter-Table is designed for being a work-table and work both with clean. It is for indoor use. The F9 model has an filtration of 99% and the HEPA H13/W3 of 99.95%. The cleaned air can be recirculated into the room as long as it is not against local laws and regulations.

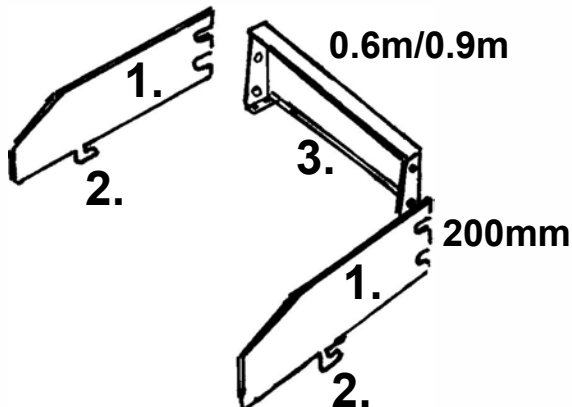
Description: MF Filter-Table/Low "Basic".



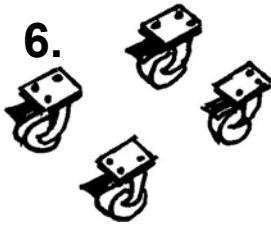
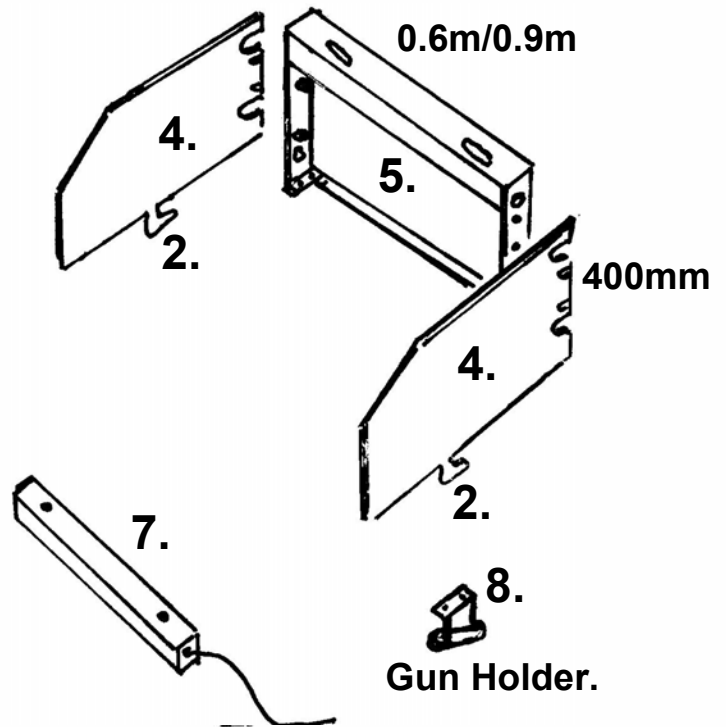
1. Door with 4xExenter Lock.
2. Pre-Filter of Alu Mesh. Washable.
3. 3a. F9(10m²) Filter Box. 3b. HEPA H13(9m²) Filter Box.
4. Fan Impellar.
5. Fan Housing.
6. Electric Motor.
7. Legs height adjustable 150mm.
8. Coach Bolts M8x16mm 16 pcs. with 16 M8 Locking Nuts for the Legs.
NOTE! Bolt Heads from the Inside!
9. Electric on/off Switch with Overload Protection.
10. Electric Box with 2xM8x35mm Bolts.
11. Cable Gland.
12. Motor Cable.
13. Cable with Plug.
14. Table Top 0.7m(D)x0.6m(W)x4mm with 6xM6x16mm Hex Socket Countersunk Bolts.
15. Table Top 0.7m(D)x0.9m(W)x4mm with 6xM6x16mm Hex Socket Countersunk Bolts.

Description: Accessories MF Filter-Table.

Back/Side Shields/200mm high.



Back/Side Shields/400mm high.



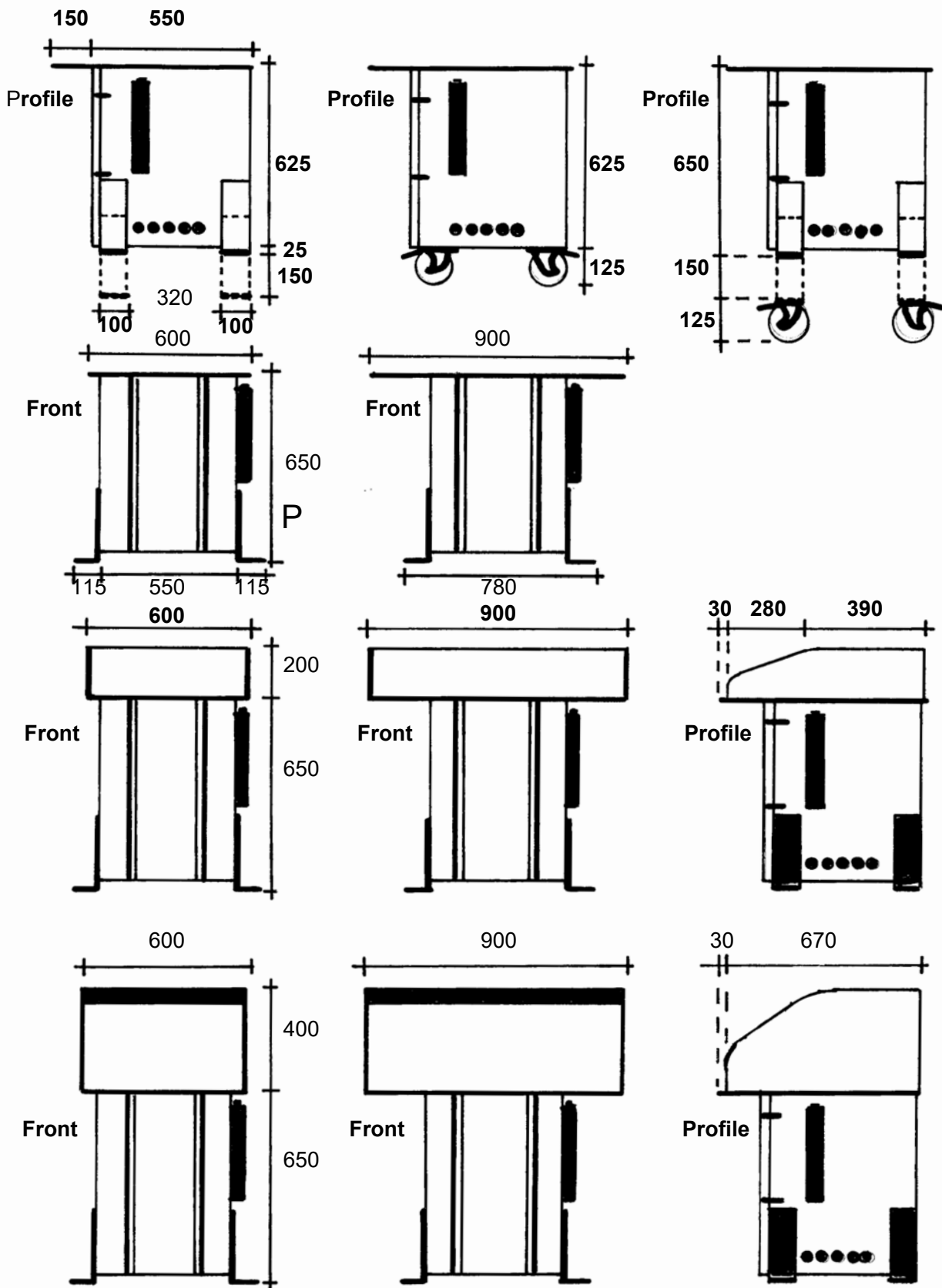
4xCastor.

Flouroscent Light.

Gun Holder.

1. Quick Release Side Shield/200mm high.
2. Quick Release Hook fits in Hole on Table Top.
3. 3a. Back Shield 0.6m wide/200mm high.
3b. Back Shield 0.9m wide/200mm high.
4. Quick Release Side Shield/400mm high.
5. 5a. Back Shield 0.6m wide/400mm high.
5b. Back Shield 0.9m wide/400mm high.
6. Castor 125mm high with Brake. 360 Degree.
7. Flouroscent Light for 400mm high Back Shield.
8. Holder for Welding- or Compressed Air Gun.
Can be mounted to the Right or to the Left
of the Table Top.

Measures (mm) MF Filter-Table/Low F9 or HEPA H13.





Declaration of conformity

We, J. Plymoth AB, declare under our sole responsibility that the product lines **MF-F9/HEPA, MF-Active Carbon, MF-Eco/F9, MF-Eco/HEPA, MF-Filter-Tables, MF-Eco Filter-Tables, FK-Mesa Backdraft Filter-Tables, MKF Filter-Tables, Labbe, MF-Lab, MF-Eco Lab, CF Central Filters, Mobo-Oil, Denta-Flex, Fica-Flex and VBF-Office** to which this declaration relates is in conformity with Directives 2006/42/EC, 2014/30/EU, 2011/65/EU and Standards EN 60204-1:2006, EN ISO 12100:2010, EN ISO 15012-1:2013, EN 61000-6-2:2005, EN 61000-6-3:2007, EN ISO 20607:2019.

J. Plymoth AB
Traryds Allen 4D
28772 Traryd

87

A handwritten signature in blue ink, appearing to read 'Jenny Nilsson', is written over the printed name and title. The signature is fluid and cursive.

Jenny Nilsson
Verkställande Direktör

2023-01-01