

Technical Data



MF Filter-Table/High. F9 or HEPA H13 Filter.

- **Downdraft Filter-Table for Standing Work Position. "Plug and Play".**
- **Fume and Dust is extracted downwards instead of being inhaled.**
- **Models with F9 Filter Cartridge (12m²) or HEPA H13 Filter Box (9m²).**
- **F9 Models Suitable for filtration of light welding fume and light dust.**
- **HEPA H13 Models for light Stainless Steel welding and Fine Dust.**
- **Can be equipped with Side- and Back Panels with "Quick Release".**
- **Height adjustable 0.85-1m work height.**
- **Clean Air Outlet at the Bottom of the Unit.**
- ***Castors are Accessories. Height adjustable Legs are standard.**

1.0 General Information.

A MF Downdraft Filter-Table/High is an easy and efficient way to create a work friendly booth with clean air.

The High models are for a standing work position. The table top of 4mm thick steel is either 0.6m(W)x0.7m(D) or 0.9m(W)x0.7(D)m. It is unpainted.

The table top height can be adjusted from 0.85m-1m and be equipped with side and back shields, 200/400mm high. Always an ergonomical work position

The unit is simple to install. Just plug it into an electric socket. Ready to use!

The contaminated air is exhausted downwards and not inhaled. Then the cleaned air is returned to the room at the bottom of the unit.

MF Downdraft Filter-Tables can be used for all sort of work where extraction and filtration of Fume and Dust is needed. Perfect for light welding and grinding in shoos and other work situations.

The F9 Filter Cartridge Models are equipped with a Sparktrap/Cartridge Holder which is loosened/tightened with 2 Wing Bolts.

The models with HEPA H13/W3 Filter Box are suitable for light stainless steel welding and very fine dust. They have an Alu Mesh Prefilter which is easy to wash and use again.

The Door has 4 expander locks to make it easy to open and lock. 4 locks makes sure that the door is tight.

To replace the F9 Filter Cartridge you open the door, loosen the 2 Wing Bolts and pull it out and replace it with a new.

To replace the HEPA H13 Filter Box you open the door and just pull the box out. The Alu Mesh Filter on top of the box can be cleaned and used again. Put the cleaned Alu Mesh in the top of a replacement HEPA H13 Filter Box (the side without seal!) and put it in. NOTE!! The SEAL DOWNWARDS!

1.1 Safety Note

Always disconnect the electricity supply before opening the Filter-Table.

Don't exhaust Sparks or Poisenous Dust.

Use adequate safety clothing when replacing dirty filters.

Dispose of used Filters according to local laws and regulations.

1.2 Range of Application.

The MF Filter-Table is designed for being a work-table/ work both with clean air. It is for indoor use. The F9 model has an filtration of 99% and the HEPA H13 of 99.95%. The cleaned air can be recirculated into the room as long as it is not against local laws and regulations.

MF Filter-Tables/High with different Tops and Back/Side Panels .



Basic with Feet.
Table 0.7m(D)x0.6m(W).



Basic with Feet.
Table 0.7m(D)x0.9m(W).



Basic+Castors.
Table 0.7m(D)x0.6m(W).



With 0.2m high Back/Side Shields.
Table 0.7m(D)x0.6m(W).



With 0.2m high Back/Side Shields.
Table 0.7m(D)x0.9m(W).



As to the left+Castors.
Table 0.7m(D)x0.6m(W).



With 0.4m high Back/Side Shields.
Table 0.7m(D)x0.6m(W).



With 0.4m high Back/Side Shields.
Table 0.7m(D)x0.9m(W).



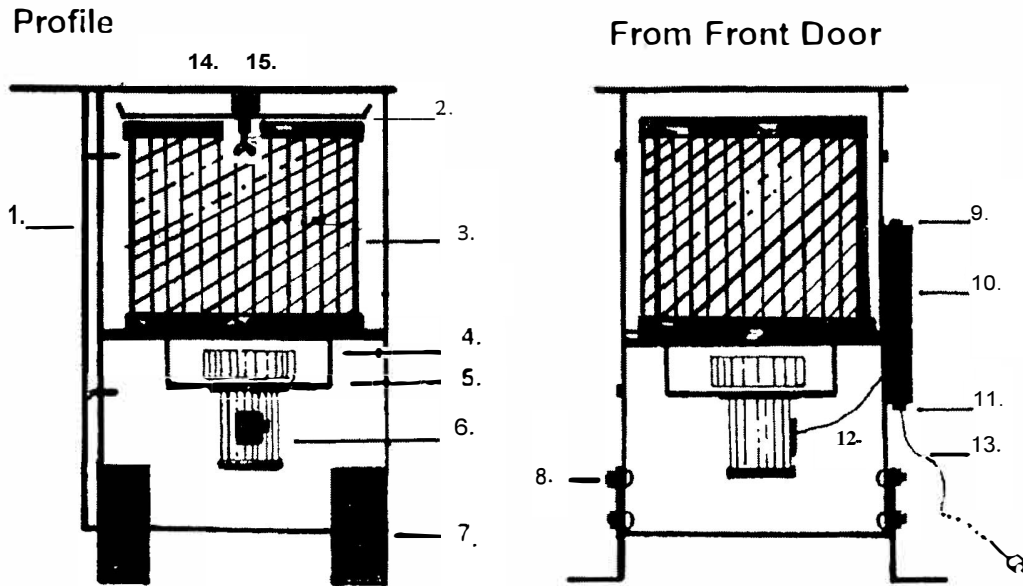
As to the left+Castors.
Table 0.7m(D)x0.6m(W).



"Quick Release".

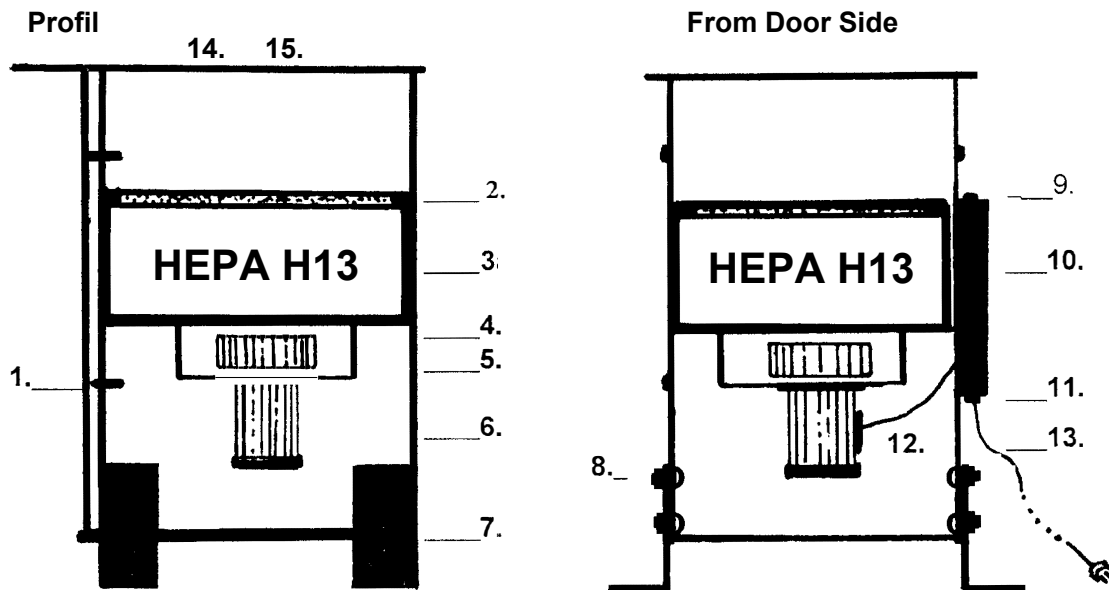
The Side Panels can be demounted in seconds. Just lift and pull back and it will be loose.

**Description: MF Filter-Table/High F9 Filter Cartridge.
(P-929, P-936).**



1. Door with 4xExenter Lock.
2. Spark Trap/Cartridge Holder with 2xM8x25mm Wing Bolts.
3. F9 Filter Cartridge (12 m²).
4. Fan Impellar.
5. Fan Housing.
6. Electric Motor 1-phase/1.1kW/220V/50Hz.
7. Legs, height adjustable 150mm (1pc.).
8. Coach Bolts M8x16mm(16 pcs.) with M8 Locking Nuts for the Legs (16pcs.). Important! Bolt Heads from the Inside!
9. Electric on/off Switch with Overload Protection.
10. Electric Box with 2xM8x35mm Hex Socket Button Bolts.
11. Cable Gland.
12. Motor Cable.
13. Cable with Plug.
14. Table Top 0.7m(D)x0.6m(W)x4mm with 6 pcs. of M6x16mm Hex Socket Countersunk Bolts.
15. Table Top 0.7m(D)x0.9m(W)x4mm with 6pcs. of M6x16mm Hex Socket Countersunk Bolts.

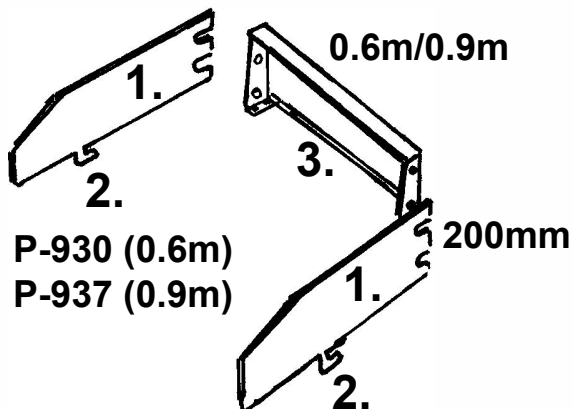
**Description: MF Filter-Table/High HEPA H13.
P-934, P-940.**



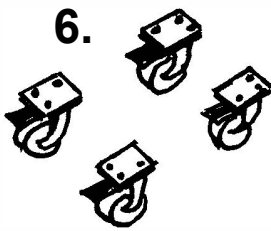
1. Door with 4xExenter Lock.
2. Pre-Filter of Alu Mesh. Washable.
3. HEPA H13(9m²) Filter Box.
4. Fan Impellar.
5. Fan Housing.
6. Electric Motor.
7. Legs height adjustable 150mm.
8. Coach Bolts M8x16mm 16 pcs. with 16 M8 Locking Nuts for the Legs.
NOTE! Bolt Heads from the Inside!
9. Electric on/off Switch with Overload Protection.
10. Electric Box with 2xM8x35mm Bolts.
11. Cable Gland.
12. Motor Cable.
13. Cable with Plug.
14. Table Top 0.7m(D)x0.6m(W)x4mm with 6xM6x16mm Hex Socket Countersunk Bolts.
15. Table Top 0.7m(D)x0.9m(W)x4mm with 6xM6x16mm Hex Socket Countersunk Bolts.

Description: Accessories MF Filter-Table.

Back/Side Shields/200mm high.

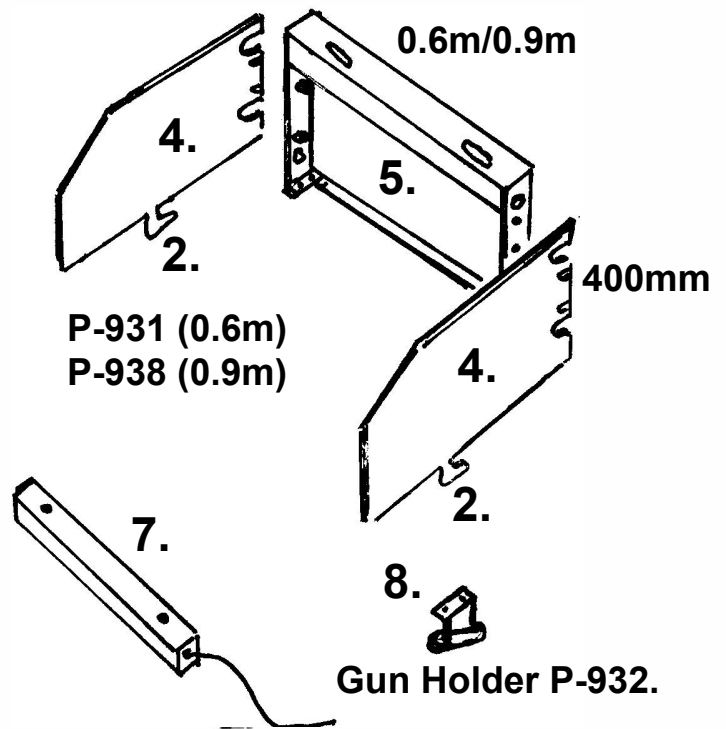


P-930 (0.6m)
P-937 (0.9m)



Castors P-956 (4pcs.)

Back/Side Shields/400mm high.



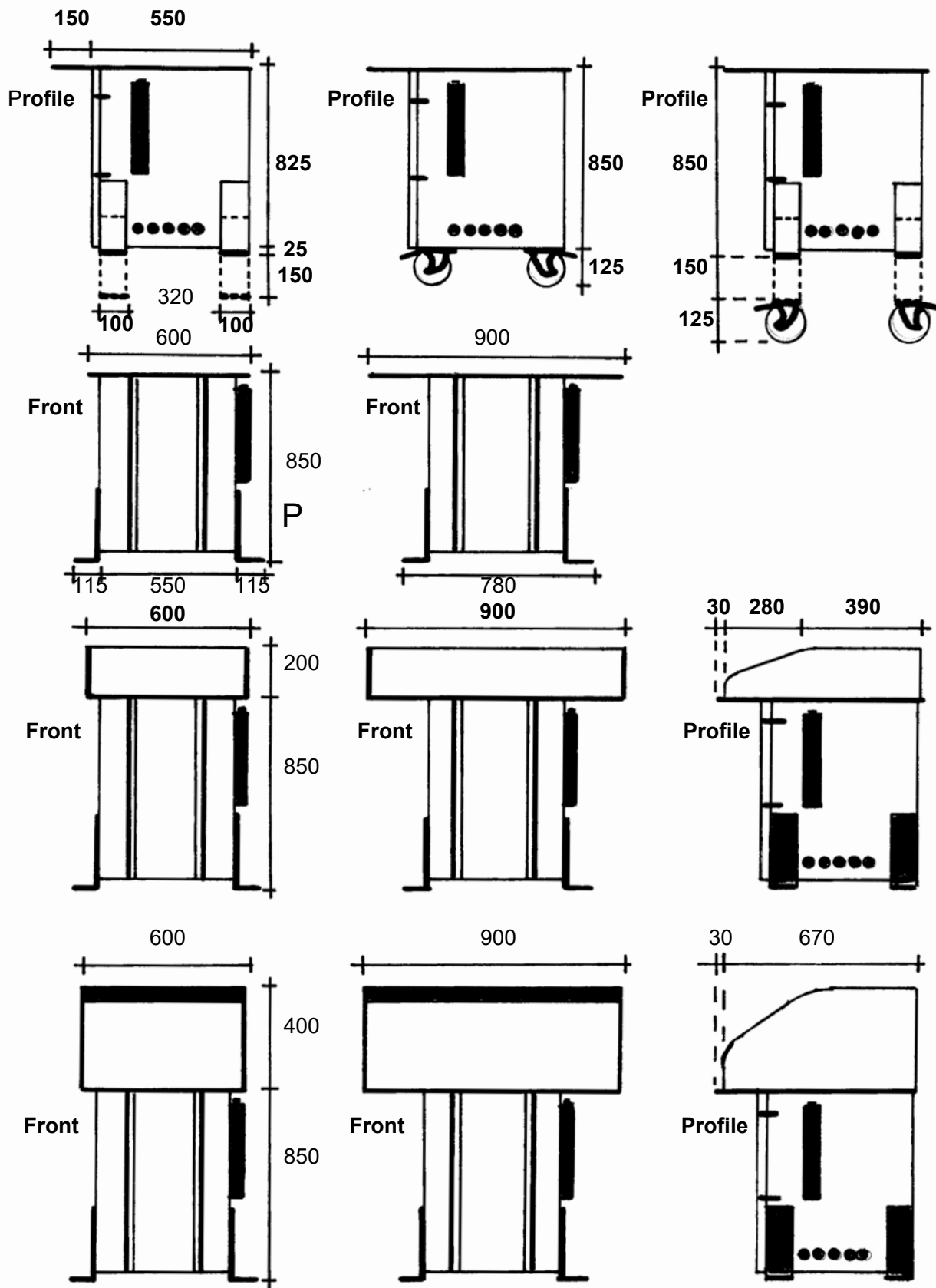
P-931 (0.6m)
P-938 (0.9m)

Gun Holder P-932.

Flouroscent Light.

1. Quick Release Side Shield/200mm high.
2. Quick Release Hook fits into Hole on Table Top.
3. 3a. Back Shield 0.6m wide/200mm high.
3b. Back Shield 0.9m wide/200mm high.
4. Quick Release Side Shield/400mm high.
5. 5a. Back Shield 0.6m wide/400mm high.
5b. Back Shield 0.9m wide/400mm high.
6. Castor 125mm high with Brake. 360 Degree.
7. Flouroscent Light for 400mm high Back Shield.
8. Holder for Welding- or Compressed Air Gun. Can be mounted to the Right or to the Left of the Table Top.

1.4 Measures (mm) MF Filter-Table/High.





Declaration of conformity

We, J. Plymoth AB, declare under our sole responsibility that the product lines **MF-F9/HEPA, MF-Active Carbon, MF-Eco/F9, MF-Eco/HEPA, MF-Filter-Tables, MF-Eco Filter-Tables, FK-Mesa Backdraft Filter-Tables, MKF Filter-Tables, Labbe, MF-Lab, MF-Eco Lab, CF Central Filters, Mobo-Oil, Denta-Flex, Fica-Flex and VBF-Office** to which this declaration relates is in conformity with Directives 2006/42/EC, 2014/30/EU, 2011/65/EU and Standards EN 60204-1:2006, EN ISO 12100:2010, EN ISO 15012-1:2013, EN 61000-6-2:2005, EN 61000-6-3:2007, EN ISO 20607:2019.

J. Plymoth AB
Traryds Allen 4D
28772 Traryd

87

A handwritten signature in blue ink, appearing to read 'Jenny Nilsson', is written over the printed name and title.

Jenny Nilsson
Verkställande Direktör

2023-01-01