

# Technical Data



## **MF Filter-Table/High. Active Carbon (30Ltr.) Filter Cartridge.**

- **Downdraft Filter-Table for Standing Work Position. "Plug and Play".**
- **Gas and Odors are extracted downwards instead of being inhaled.**
- **Perfect for Cleaning/Degreassing, Conservation, Gluing/Bonding, Moulding, Screenprinting etc.**
- **Filter Cartridge with Prefilter Fleece and 30Ltr Active Carbon.**
- **Legs, with Adjustable working height (850-1000mm), as Standard.**
- **Can be equipped with Side- and Back Panels with "Quick Release".**
- **Can be equipped with Castors with Brakes and 360 Degree Turning.**
- **Clean Air Outlet at the Bottom of the Unit.**
  
- **\*Castors are Accessories. Height adjustable Legs are standard.**

# MF Filter-Tables/High with different Tops and Back/Side Panels .



**Basic with Feet.**  
Table 0.7m(D)x0.6m(W).



**Basic with Feet.**  
Table 0.7m(D)x0.9m(W).



**Basic+Castors.**  
Table 0.7m(D)x0.6m(W).



**With 0.2m high Back/Side Shields.**  
Table 0.7m(D)x0.6m(W).



**With 0.2m high Back/Side Shields.**  
Table 0.7m(D)x0.9m(W).



**As to the left+Castors.**  
Table 0.7m(D)x0.6m(W).



**With 0.4m high Back/Side Shields.**  
Table 0.7m(D)x0.6m(W).



**With 0.4m high Back/Side Shields.**  
Table 0.7m(D)x0.9m(W).



**As to the left+Castors.**  
Table 0.7m(D)x0.6m(W).



## "Quick Release".

The Side Panels can be demounted in seconds. Just lift and pull back and it will be loose.

## Applications: MF Active Carbon Filter Table.

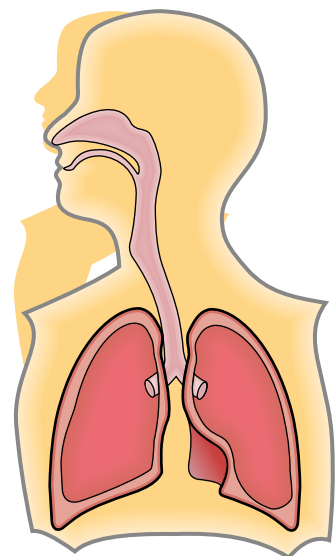
### Vapour from solvents (VOC).

Nearly all solvents are Volatile Organic Compounds or liquids. They are used in a many every day applications, such as component cleaning, degreasing, and to dissolve products that are not able to be dissolved in water. They also form the drying agent in products such as adhesives, paints, and varnishes.

Vapours from these solvents have a narcotic effect that can cause tiredness, dizziness and intoxication. Vapour and gases from solvents can also enter your body by the respiratory system and then spread to the brain and liver. The vapours from solvents are also irritating for your eyes and respiratory system.

By using a MF Active Carbon Filter Table you get an effective extraction solution combined with an efficient filter system. You will reduce or eliminate the risk of working with airborne Gases and Odors.

Type of application	Hazard substances
Soldering (Electronic)	Resin, Lead, Terpene, Limonene, Borneol, Isosyanates
Solder Pot	Resin, Lead, Terpene
Gluing / Bonding	VOC1, Methylmetacrylate (MMA), Toluene, Ethyl-2-cyanoacrylate, Tetrahydrofuran, Cyklohexanone
Screen printing	Methyl ethyl ketone (MEK), Toluene
Cleaning / Degreasing	Acetone, Toluene, MEK, VOCs1
Laser cutting	Dust, metal particulate, odour
Moulding	Epoxi, Styrene
Conservation	VOCs1
Precision TIG welding	Welding fume, Gases, Ozone
Stained Glass working	Lead fume, VOCs1
Botany research	VOCs1
Sculpturing	VOCs1, silica dust, sealants



## **General Information.**

A MF Downdraft Filter-Table/High with a 30Ltr. Active Carbon Cartridge is a simple and efficient way to create a workfriendly booth with clean air.

The High models are for a Standing Work Position. The table top of 4mm thick steel is either 0.6m(W)x0.7m(D) or 0.9m(W)x0.7m(D). Not painted.

The table top height can be adjusted from 0.85m-1m and can be equipped with side and back shields, 200 or 400mm high. Always an ergonomical work position

The unit is simple to install. Just plug it into an electric socket. Ready for use! The contaminated air is exhausted downwards and not inhaled. Then the cleaned air is returned to the room at the bottom of the unit.

It is simple to change the Filter-Cartridge when the extraction has become too low or the smell of Gas or Odors go through.

To replace the Filter Cartridge you take off the door and put it in a safe place. Loosen the 2 Wing Bolts which press down the combined Spark Trap/ Cartridge Holder and take it out. Pull out the Cartridge and replace it with a new. Use adequate safety clothing and dispose of the used Cartridge in accordance with local Laws and Regulations.

## **Safety Note**

**Always disconnect the electricity supply before opening the Filter-Table.**

**Don't exhaust Sparks or Poisenous Gas or Dust.**

**Use adequate safety clothing when replacing a used Filter Cartridge.**

**Dispose of used Filter Cartridges according to local laws and regulations.**

## **Range of Application.**

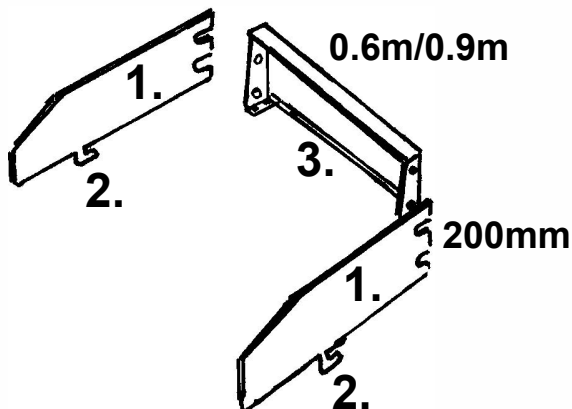
The MF Active Carbon Filter-Table is designed for being a work-table and work both with clean air. It is for indoor use. The unit is suitable for Gas and Odors from:

Cleaning/Degreasing  
Conservation  
Gluing/Bonding  
Screen Printing

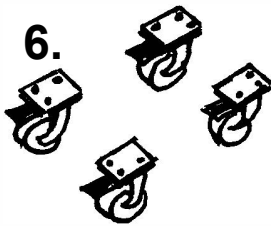
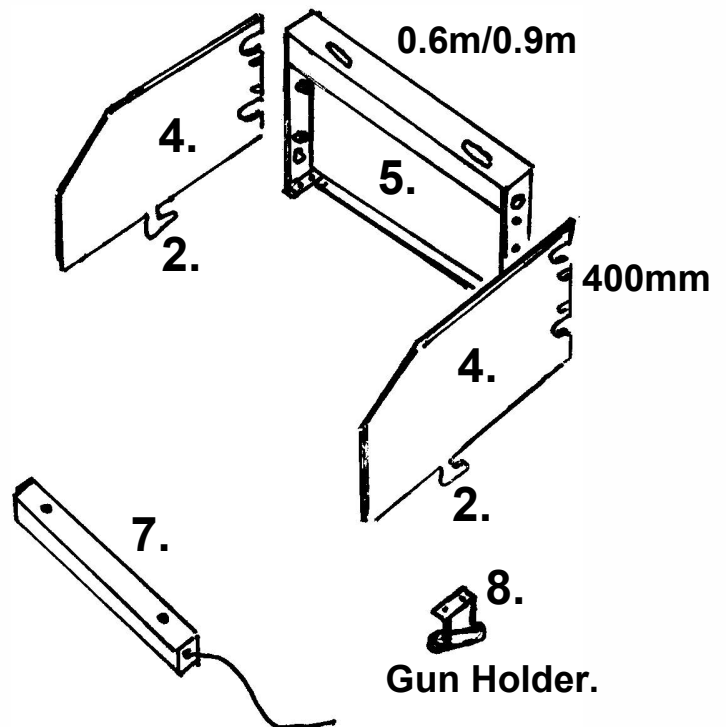
(The cleaned air can be recirculated into the room as long as it is not against local laws and regulations).

## Description: Accessories MF Filter-Table.

Back/Side Shields/200mm high.



Back/Side Shields/400mm high.

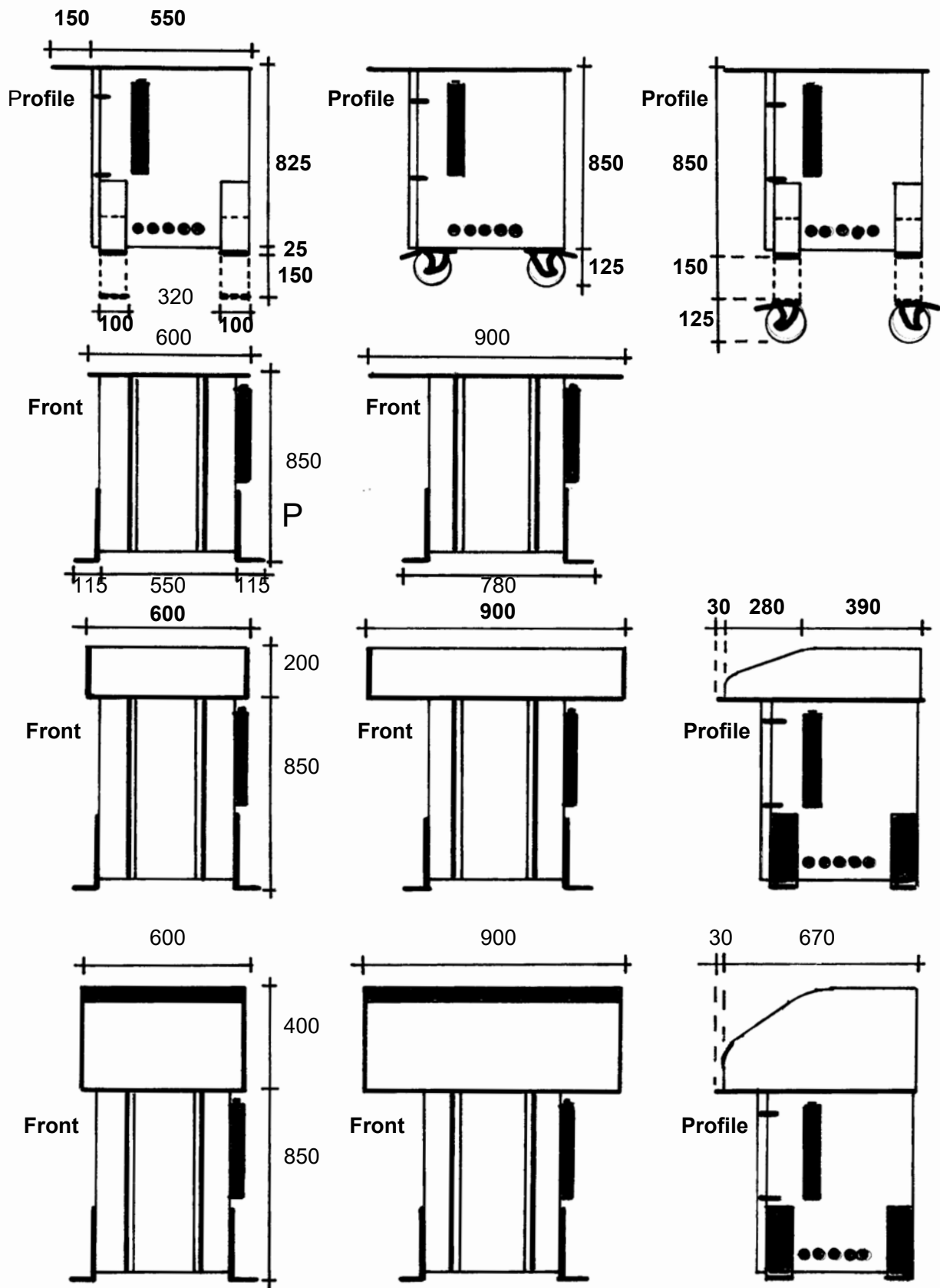


4xCastor.

Flouroscent Light.

1. Quick Release Side Shield/200mm high.
2. Quick Release Hook fits in Hole on Table Top.
3. 3a. Back Shield 0.6m wide/200mm high.  
3b. Back Shield 0.9m wide/200mm high.
4. Quick Release Side Shield/400mm high.
5. 5a. Back Shield 0.6m wide/400mm high.  
5b. Back Shield 0.9m wide/400mm high.
6. Castor 125mm high with Brake. 360 Degree.
7. Flouroscent Light for 400mm high Back Shield.
8. Holder for Welding- or Compressed Air Gun.  
Can be mounted to the Right or to the Left  
of the Table Top.

### 1.4 Measures (mm) MF Filter-Table/High F9 or HEPA H13.





### Declaration of conformity

We, J. Plymoth AB, declare under our sole responsibility that the product lines **MF-F9/HEPA, MF-Active Carbon, MF-Eco/F9, MF-Eco/HEPA, MF-Filter-Tables, MF-Eco Filter-Tables, FK-Mesa Backdraft Filter-Tables, MKF Filter-Tables, Labbe, MF-Lab, MF-Eco Lab, CF Central Filters, Mobo-Oil, Denta-Flex, Fica-Flex and VBF-Office** to which this declaration relates is in conformity with Directives 2006/42/EC, 2014/30/EU, 2011/65/EU and Standards EN 60204-1:2006, EN ISO 12100:2010, EN ISO 15012-1:2013, EN 61000-6-2005, EN 61000-6-3:2007, EN ISO 20607:2019.

J. Plymoth AB  
Traryds Allen 4D  
28772 Traryd

87

A handwritten signature in blue ink, appearing to read 'Jenny Nilsson', is written over the printed name and title.

Jenny Nilsson  
Verkställande Direktör

2023-01-01