

Technical Data



FK-Mesa

Filter-Table

FK-Mesa Filter-Table. F9 or HEPA H13 or Active Carbon.

- **Backdraft Filter-Table for Standing Work Position. "Plug and Play".**
- **Fume, Dust and Gases are extracted backwards instead of being inhaled.**
- **Horizontal Guillotine Damper with Handle to adjust the Backdraft Volume.**
- **Models with F9 Filter Box (10m²) or HEPA H13 Filter Box (9m²) or Active Carbon Filter Cartridge (15Ltr.).**
- **1m or 1.4m Wide. Adjustable Height of Table top (0.8-0.95m).**
- **As standard equipped with 650mm high Side Shields/Panels with Hinges and "Quick Release". Easy to open for long work pieces.**
- **Clean Air Outlet at the Bottom of the Unit.**

1.0 General Information.

A FK-Mesa Backdraft Filter-Table is an easy and efficient way to create a work friendly booth with clean air for a standing work position.

The table top is of 3mm thick steel. It is 1m(W)x1m(D) or 1.4m(W)x1m(D).

The whole unit is powder coated in White.

The table top height can be adjusted from 0.8m-0.95m. Always an ergonomical work position. It is equipped with 650mm high side shields with Hinges. Easy to open for long work pieces. The unit is simple to install. Just plug it into an electric socket. Ready for use!

The contaminated air is exhausted backwards and not inhaled. Then the cleaned air is returned to the room at the bottom of the unit.

FK-Mesa Backdraft Filter-Tables can be used for all sort of work where extraction and filtration of fume, dust or gases is needed. Perfect for assembling, cleaning, light grinding, repairing, restoring, printing and so on.

Depending on the contaminations you can choose a FK-Mesa with either F9(9m²)-, HEPA H13(9m²)- or Active Carbon (15Ltr.) Filter.

If you change the work situation you can always change to any of the other two Filter Types.

The F9 Filter Box (9m²) is for dust in general and has a 99% efficiency.

The HEPA H13 Filter box (9m²) is for fine dust and has a 99.95% efficiency. It is equipped with a washable Alu Mesh prefilter.

The Active Carbon Filter Cartridge (15Ltr.) is equipped with a prefilter of fleece. For applications please see next page.

The Door has 4 expander locks to make it easy to open and lock. 4 locks makes sure that the door is tight.

To replace a filter you just open the door and pull the filter out and replace it with a new. For detailed instruction on how to change Filter see 1.6.1/1.6.2.

1.1 Safety Note

Always disconnect the electricity supply before opening the Filter-Table.

Don't exhaust Sparks or Poisenous Dust.

Use adequate safety clothing when replacing used filter boxes/cartridges.

Dispose of filter boxes/cartridges according to local laws and regulations.

1.2 Range of Application.

The FK-Mesa Filter-Table is designed for being a work-table and work both with clean air. It is for indoor use. The cleaned air can normally be recirculated into the room. Check with local laws and regulations.

Applications: FK-Mesa Active Carbon Filter Table.

Vapour from solvents (VOC).

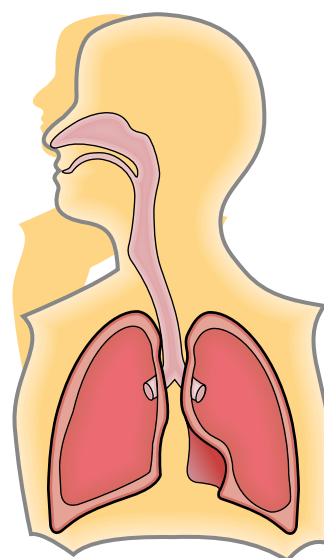
Nearly all solvents are Volatile Organic Compounds or liquids. They are used in a many every day applications, such as component cleaning, degreasing, and to dissolve products that are not able to be dissolved in water. They also form the drying agent in products such as adhesives, paints, and varnishes.

Vapours from these solvents typically have a narcotic effect that courses tiredness, dizziness and intoxication. Vapour and gases from solvents can also enter your body by the respiratory system and then spread to the brain and liver. The vapours from solvents are also irritating your eyes and respiratory system.

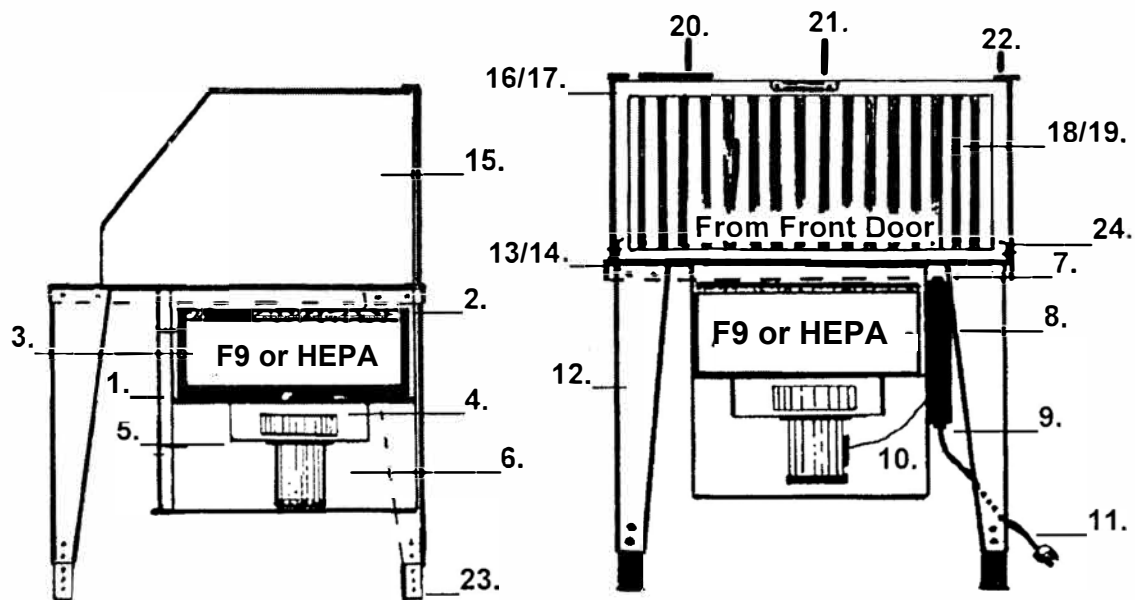
Save your lungs!

By using a FK-Mesa Active Carbon Filter Table you get an ergonomical work station with effective extraction combined with an efficient filtering system.

Type of application	Hazard substances
Soldering (Electronic)	Resin, Lead, Terpene, Limonene, Borneol, Isosyanates
Solder Pot	Resin, Lead, Terpene
Gluing / Bonding	VOC1, Methylmetacrylate (MMA), Toluene, Ethyl-2-cyanoacrylate, Tetrahydrofuran, Cyklohexanone
Screen printing	Methyl ethyl ketone (MEK), Toluene
Cleaning / degreasing	Acetone, Toluene, MEK, VOCs1
Laser cutting	Dust, metal particulate, odour
Moulding	Epoxi, Styrene
Conservation	VOCs1
Precision TIG welding	Welding fume, Gases, Ozone
Stained Glass working	Lead fume, VOCs1
Botany research	VOCs1
Sculpturing	VOCs1, silica dust, sealants



Description: FK-Mesa Filter-Table. F9 or HEPA H13.

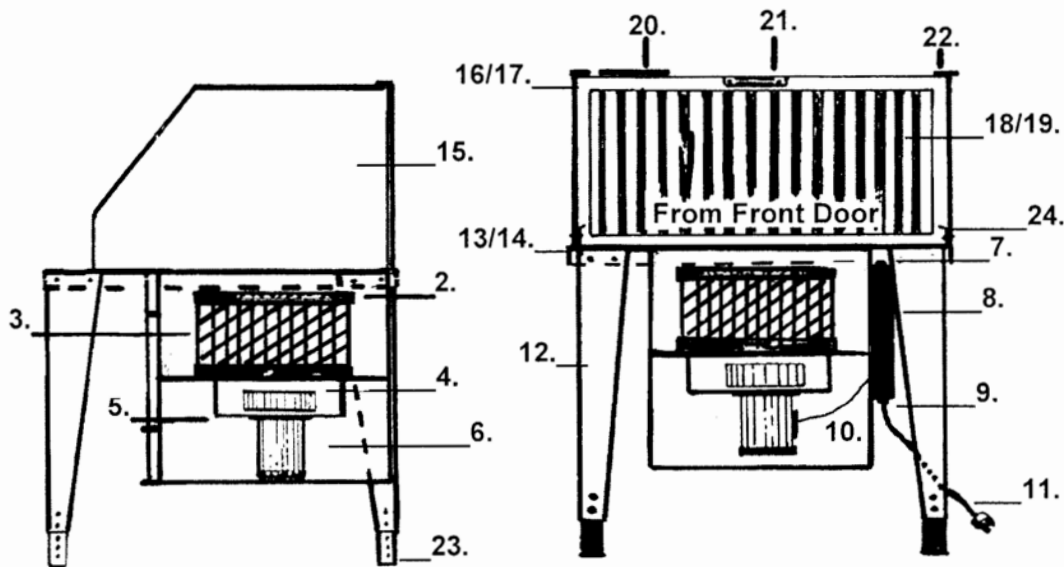


When ordering Spare Parts please specify:

- a. Name and P-number of Your Product.
- b. Number and Text from below.
- c. Quantity of each Spare Part.

1. Door with 4xExenter Lock.
2. Pre-Filter of Alu Mesh. Washable.
- 3a. F9 Filter Box (9m²).
- 3b. HEPA H13 (9M²) Filter Box.
4. Fan Impellar.
5. Fan Housing.
6. Electric Motor 1-phase/1.1kW/220V/50 Hz.
7. Electric On/Off Switch with Overload Protection.
8. Electric Box with 2xM8x35mm Hex Socket Button Bolts.
9. Cable Gland.
10. Motor Cable from Motor to On/Off Switch.
11. Cable with Plug.
12. Leg height adjustable 150mm.
13. Table Top 1m(W)x1m(D)x3mm.
14. Table Top White 1.4m(W)x1m(D)x3mm.
15. Side Shields 650mm High with Quickrelease and Hinges.
16. Back Box 650mm Highx1m Wide prepared for Extraction-Arm 1.5/2/3m.
17. Back Box 650mm Highx1.4m Wide prepared for Extraction-Arm 1.5/2/3m.
18. Horisontal Guillotine Damper with Handle for 1m Wide Back Box.
19. Horisontal Guillotine Damper with Handle for 1.4m Wide Back Box.
20. Cover over hole for Extraction-Arm.
21. Handle for horisontal adjustment of Guillotine Damper.
22. Hinge-Ear for Side Panel.
23. Adjustable part of Leg.
24. Quickrelease for Side Shield.

Description: FK-Mesa Filter-Table. Active Carbon 15Ltr.

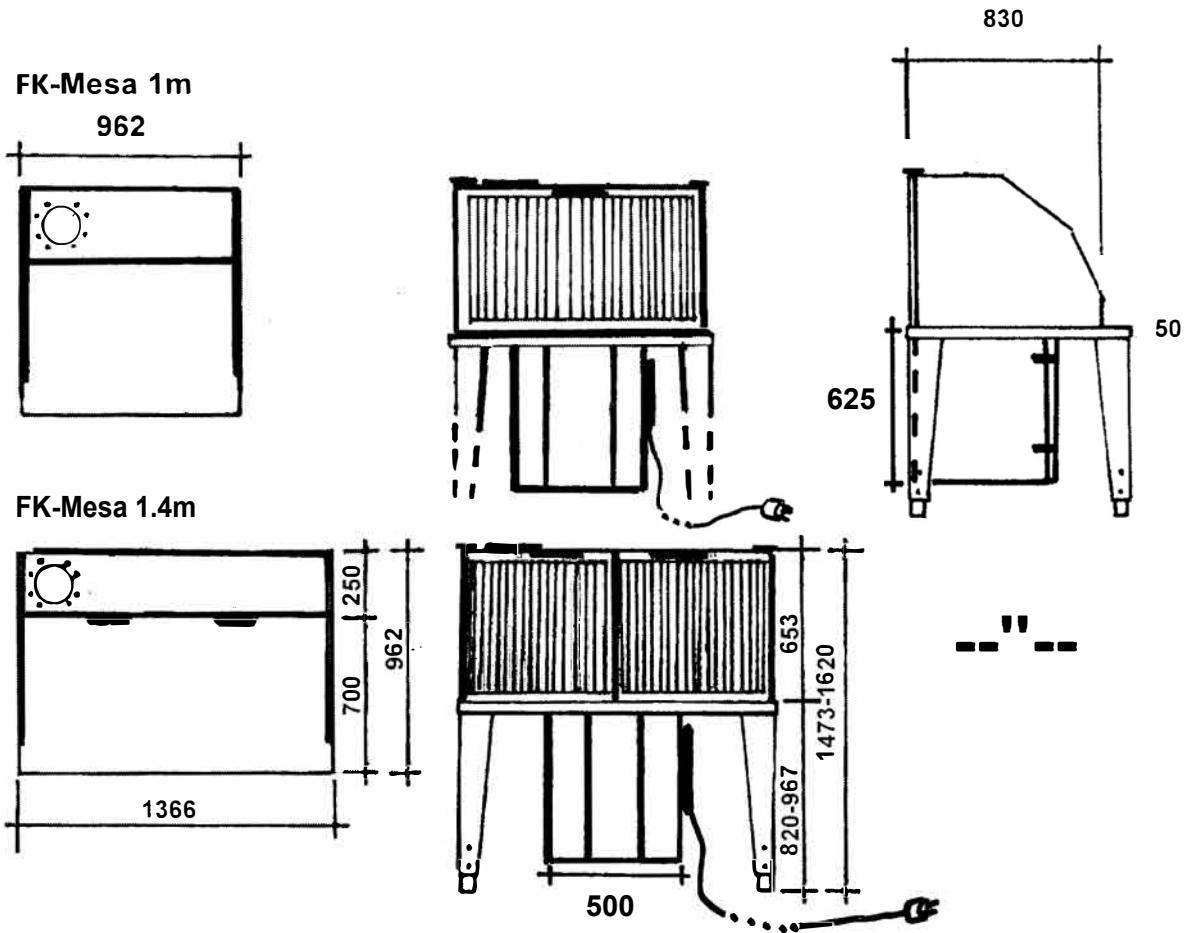


When ordering Spare Parts please specify:

- a. Name and P-number of Your Product.
 - b. Number and Text from below.
 - c. Quantity of each Spare Part.
1. Door with 4xExenter Lock.
 2. Pre-Filter of Alu Mesh. Washable.
 3. Active Catbon Filter Cartridge (9m²).
 4. Fan Impellar.
 5. Fan Housing.
 6. Electric Motor 1-phase/1.1kW/220V/50 Hz.
 7. Electric On/Off Switch with Overload Protection.
 8. Electric Box with 2xM8x35mm Hex Socket Button Bolts.
 9. Cable Gland.
 10. Motor Cable from Motor to On/Off Switch.
 11. Cable with Plug.
 12. Leg height adjustable 150mm.
 13. Table Top 1m(W)x1m(D)x3mm.
 14. Table Top White 1.4m(W)x1m(D)x3mm.
 15. Side Shields 650mm High with Quickrelease and Hinges.
 16. Back Box 650mm Highx1m Wide prepared for Extraction-Arm 1.5/2/3m.
 17. Back Box 650mm Highx1.4m Wide prepared for Extraction-Arm 1.5/2/3m.
 18. Horisontal Guillotine Damper with Handle for 1m Wide Back Box.
 19. Horisontal Guillotine Damper with Handle for 1.4m Wide Back Box.
 20. Cover over hole for Extraction-Arm.
 21. Handle for horisontal adjustment of Guillotine Damper.
 22. Hinge-Ear for Side Panel.
 23. Adjustable part of Leg.
 24. Quickrelease for Side Shield.

Measures(mm.): FK-Mesa 1 m/1 .4m.

The measures on FK-Mesa 1m are the same as on 1.4m if not written out.



Extraction-Arm (Accessory).

Seen from the front side, on the top to the left is a hole prepared for mounting of an Extraction-Arm 1.5/2/3m. It has 8xM8 Pop-Nut Threads. It is covered with a bolted steel lid.

Technical Data:

Total weight Unit

FK-Mesa 1m

150kg.

FK-Mesa 1.4m

190kg.

Max. Weight on Table:

100kg.

100kg.

Initial Extraction m³/h:

ca.1000

ca.1000

Electric Motor 1-phase:

1.1kW/220V/50Hz

1.1kW/220V/50Hz

Electric Cable with plug:

4m

4m

Surface treatment:

All Powder Coated

All Powder Coated

Side Shields with Hinges:

Quick Release

Quick Release

Accessory: Flexi FLB Extraction-Arm 1.5/2/3m d.160mm.



P-788=1.5m/d.160mm.

P-789=2m/d.160mm.

P-790=3m/d.160mm.

General Information.

The Flexi FLB Exreaction-Arms are for mounting on Tables/Mobile-Filters/ Super-Mesa Filter-Tables/Maxi-Mesa Filter-Tables and FK-Mesa Filter-Tables. They are designed to extract Dust,Fume and Gases. The swivel allows the Arm to be rotated 360 degrees.The flame-proof flexible hose, with covered steelspiral, has a parallelogram system inside to balance the hose and hood. This makes the Hood extremely easy to move to a new position, and it will stay there.

The Flexi steel hood is black painted and can be turned 90 degrees in all directions. It can easily be positioned at any point within the working area.

Application

The Flexi FLB can be mounted on Super-Mesa/Maxi-Mesa and FK-Mesa Extraction-Tables. The top of the unit has a prepared mounting place with 8xM8 threads. You can easily mount the arm even after the Mesa Table is in use. There are 1.5m, 2m and 3m models with dia.160mm hose.

With a 3m FLB Extraction-Arm the unit has not just a Clean Air Table but can also cover and exhaust contaminated air in a 3x3m work both.

Recomended airflow for d.160mm Arms is 600-1000m³/h.

Mounting.

Please see description which will come with the FLB Extraction-Arm.

Accessory: Mesa Pistol Holder for Left or Right mounting. P-998.

The Mesa Pistol Holder come with 2xM8x20mm Bolts with Locking Nuts. It can be mounted to the right or the left of the Front Leg in prepared holds. The holder can be adjusted to a suitable angle.



Declaration of conformity

We, J. Plymoth AB, declare under our sole responsibility that the product lines **MF-F9/HEPA, MF-Active Carbon, MF-Eco/F9, MF-Eco/HEPA, MF-Filter-Tables, MF-Eco Filter-Tables, FK-Mesa Backdraft Filter-Tables, MKF Filter-Tables, Labbe, MF-Lab, MF-Eco Lab, CF Central Filters, Mobo-Oil, Denta-Flex, Fica-Flex and VBF-Office** to which this declaration relates is in conformity with Directives 2006/42/EC, 2014/30/EU, 2011/65/EU and Standards EN 60204-1:2006, EN ISO 12100:2010, EN ISO 15012-1:2013, EN 61000-6-2:2005, EN 61000-6-3:2007, EN ISO 20607:2019.

J. Plymoth AB
Traryds Allen 4D
28772 Traryd

87

A handwritten signature in blue ink, appearing to read 'Jenny Nilsson', is written over the printed name and title. The signature is fluid and cursive.

Jenny Nilsson
Verkställande Direktör

2023-01-01