

# User Manual

## MF-Mobile Extractor Filter/F9 (12m<sup>2</sup>)

## MF-Mobile Extractor Filter/HEPA H13/W3 (9m<sup>2</sup>)

### Welding Fume and Dust

MF is a mobile extractor with “no maintenance” replacement cartridge filters for mechanical cleaning of light welding fumes and light grinding dust.

### Normal Welding F9

MF-F9 is a perfect solution for Light Normal Welding and Light Grinding.

### Stainless Steel Welding HEPA H13/W3

MF HEPA H13/W3 is a safe and simple solution for light Stainless-Steel Welding. More than 99,95% Efficiency.

### Flexible and Economical

MF is robust, yet the easily maneuverable wheels and the handles make for effortless transportation. Add to this the super-flexible Flexi extractor arm, and you have a supremely versatile and flexible filtration unit that can be moved between different workstations.



	Art. Nr.
MF Mobile Filter F9 (12m <sup>2</sup> ) 1.1kW/1-ph / 220 V / 50 Hz. Extraction Arm not incl.	P-001
MF Mobile Filter HEPA H13/W3 (9m <sup>2</sup> ) 1.1kW/1-Ph./ 220V / 50Hz. Extraction Arm not incl.	P-957
Flexi Filter Extraction Arm FLB 1.5 m / d.160 mm	P-069
Flexi Table/Filter Extraction Arm FLB 2 m / d.160 mm	P-168
Flexi Table/Filter Extraction Arm FLB 3 m / d.160 mm	P-169
F9 Replacement filter cartridge (12m <sup>2</sup> )	P-160
HEPA H13 / W3 (9m <sup>2</sup> ) Replacement Filter	P-958
Holder for 2 Flexi Filter Extraction Arms. D.160 mm.	P-086

# Measures MF- F9/HEPA Mobile Extractor-Filter.



**Weight: 55kg + Extraction-Arm 15-25kg (1.5m/2m/3m d.160mm).**

---

# MF-F9 and MF-HEPA/W3

## Operating Instructions

The filter unit is only intended for indoor use. It shall be equipped with an extraction arm which covers a radius of approx. two or three meters. In order to achieve a maximum collection level of air pollutants, the extraction unit's hood shall be positioned as close to the pollution source as possible without extracting sparks.

The filter unit is designed for extraction and filtration of lighter welding fumes (F9 Filter for normal iron and HEPA Filter for Stainless Steel). Can also be used for light grinding dust, etc. *Note that the unit is not to be used for extraction of fluids or Gases.*

Before use, check the voltage and frequency on the product's rating plate before it is connected to the power supply. All four of the wheels on the filter unit are pivoting and with brakes which makes it very easy to move even in difficult positions. The brakes makes it stay where you leave it even when you move the Extraction-Arm.

## Changing the filter cartridge

The unit's filter cartridge is disposable and should be thrown-away after use. Changing the filter cartridge is simple, just open the door of the unit. Unwind the fasteners on top of the unit and take out the cartridge. The life of the filter cartridge varies greatly depending on how the unit is used and how much and what type of pollutants are collected.

Regularly monitor the unit's extraction capacity at the source and change the filter cartridge when the extraction capacity is poor. Handle the used filter cartridges according to the relevant regulations for the substances that have been collected.

## Technical data

Capacity:	1200 m <sup>3</sup> /h
Filtration efficiency:	>99% for F9 and 99.95% for HEPA H13/W3
Fan:	0.75kW/1-phase/220 V/50 Hz.
Action radius:	Maximum 2 or 3 m depending on Extraction-Arm
Swiveling arm:	360°

## Warning

### Risk of personal injury.

1. Do not use the filter for separation of dust that contains substances hazardous to one's health, e.g beryllium, cadmium, lead or asbestos.
2. Check that the mains connecting cable not is squeezed or in another way damaged. At cable replacement a Plymoth original spare part cable shall be used.

### Risk of fire and explosion

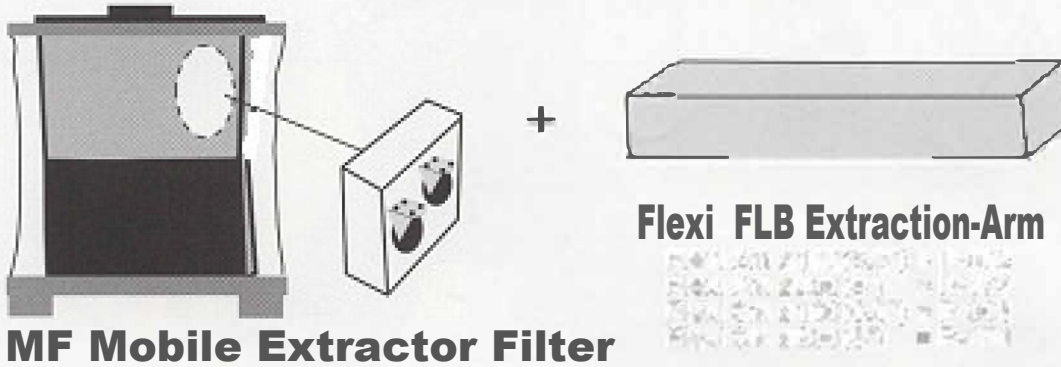
Do not use the filter for inflammable dust or explosive gases.

# Mounting Instruction

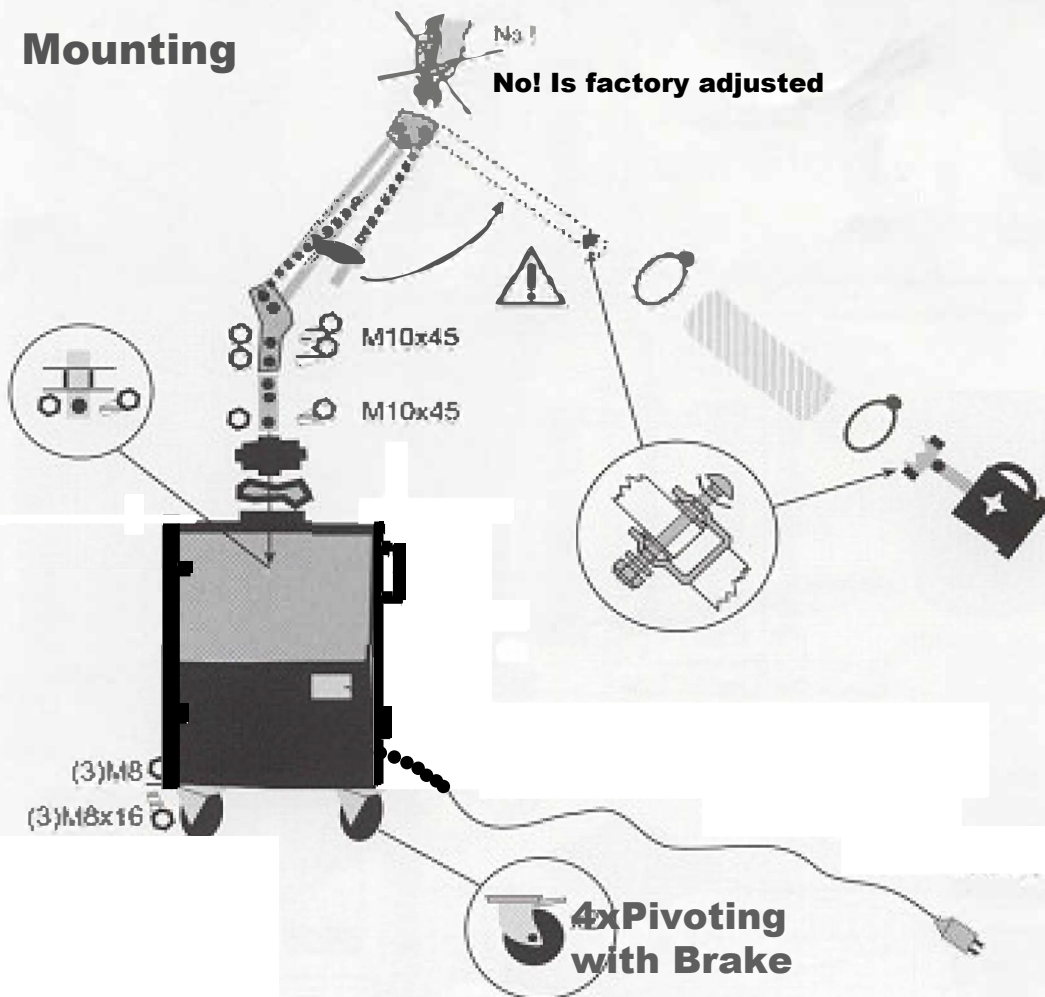
Mounting instruction - Montageanleitung - Instruction de montage - Instruccion de montaje

Istruzione di montaggio - Montagehandleiding - Asennusohje - Montage instruktion

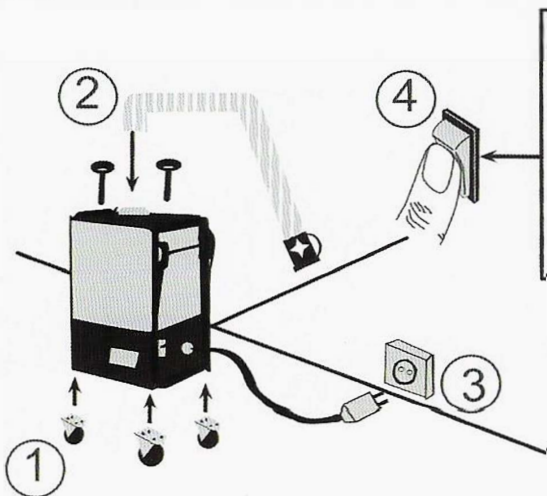
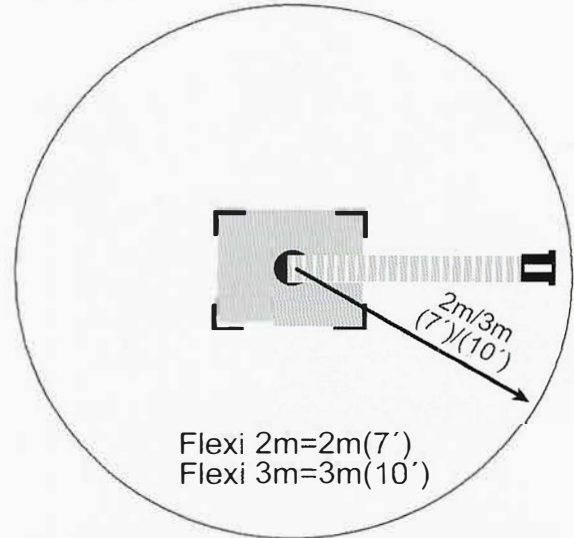
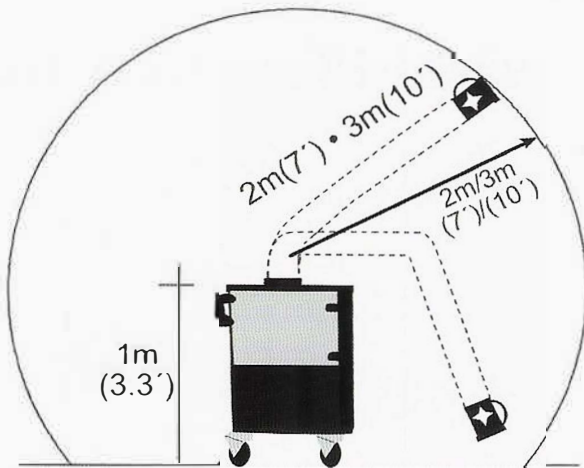
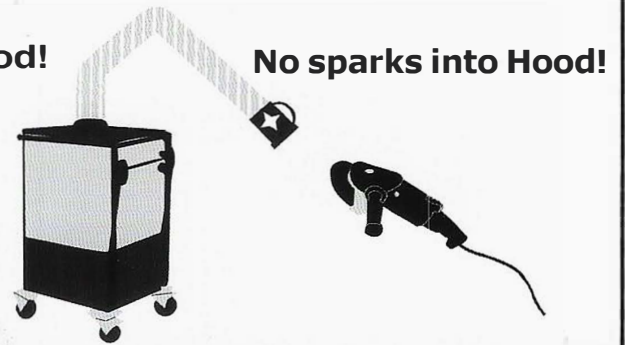
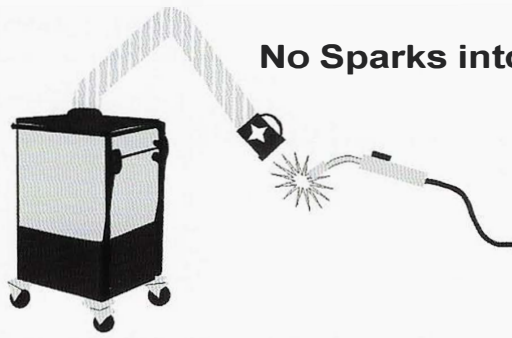
## Delivery



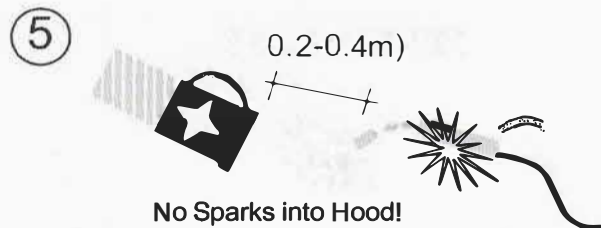
## Mounting



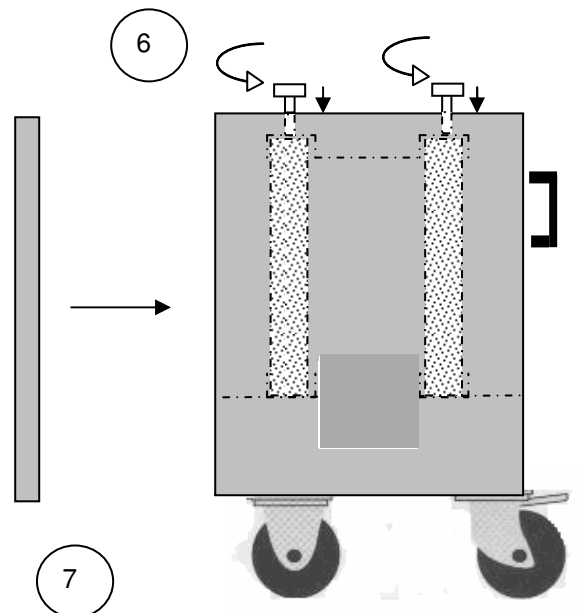
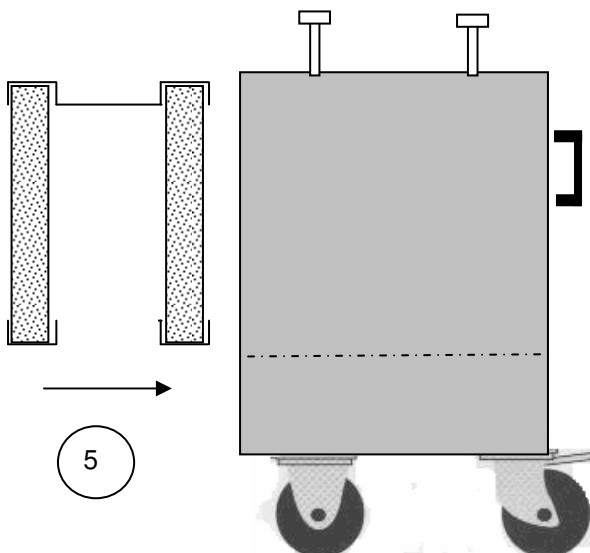
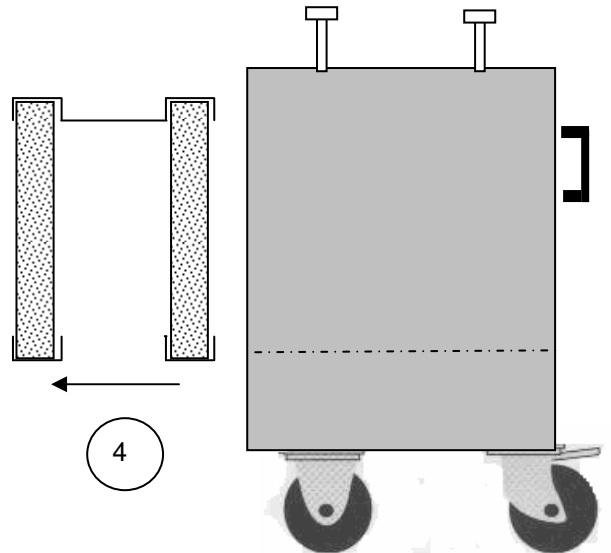
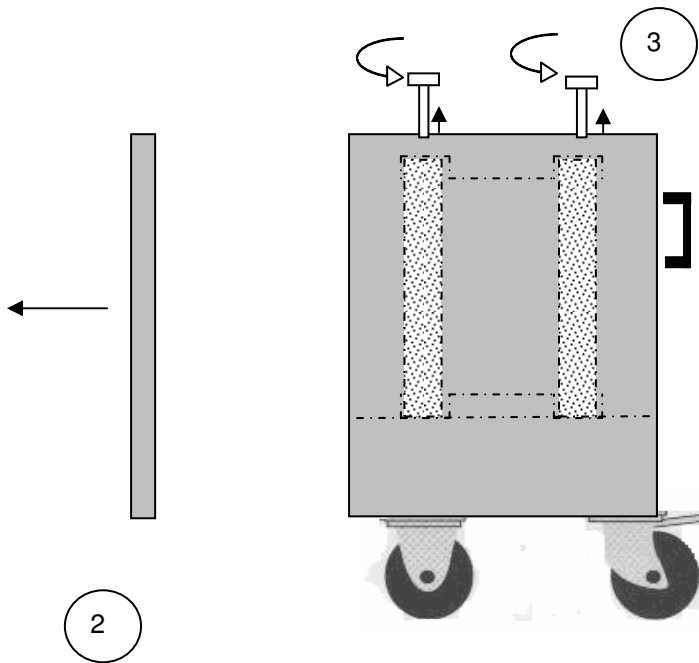
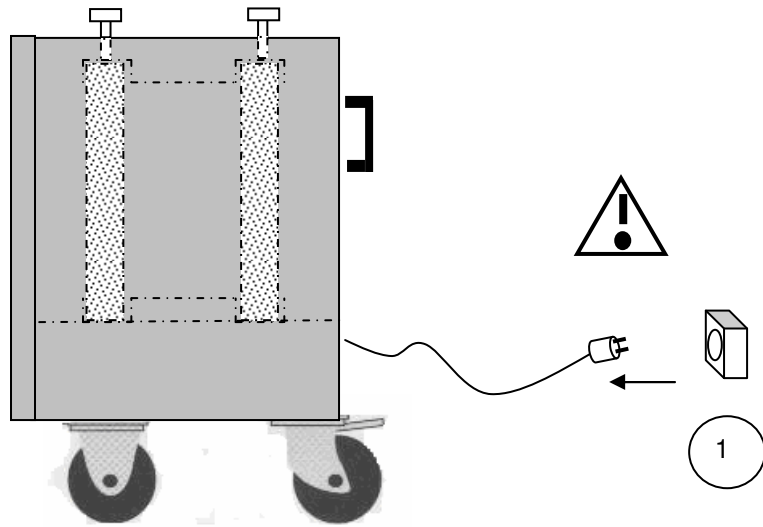
# MF-F9 and MF-HEPA/W3



- (GB) Circuit breaker with thermal overload
- (D) Geräteschutzschalter mit thermischem Überstromschutz
- (F) Disjoncteur pour équipement à surcharge thermique
- (E) Disyuntor por sobrecarga térmica
- (I) Interruttore termico di protezione dal sovraccarico
- (NL) Uitschakelaar met thermische beveiliging tegen overstroom
- (SF) Virtapiirikatkaisimien lämpöylikuormitus
- (S) Strömbrytare med termiskt överströmsskydd



# Change of Filter Cartridge



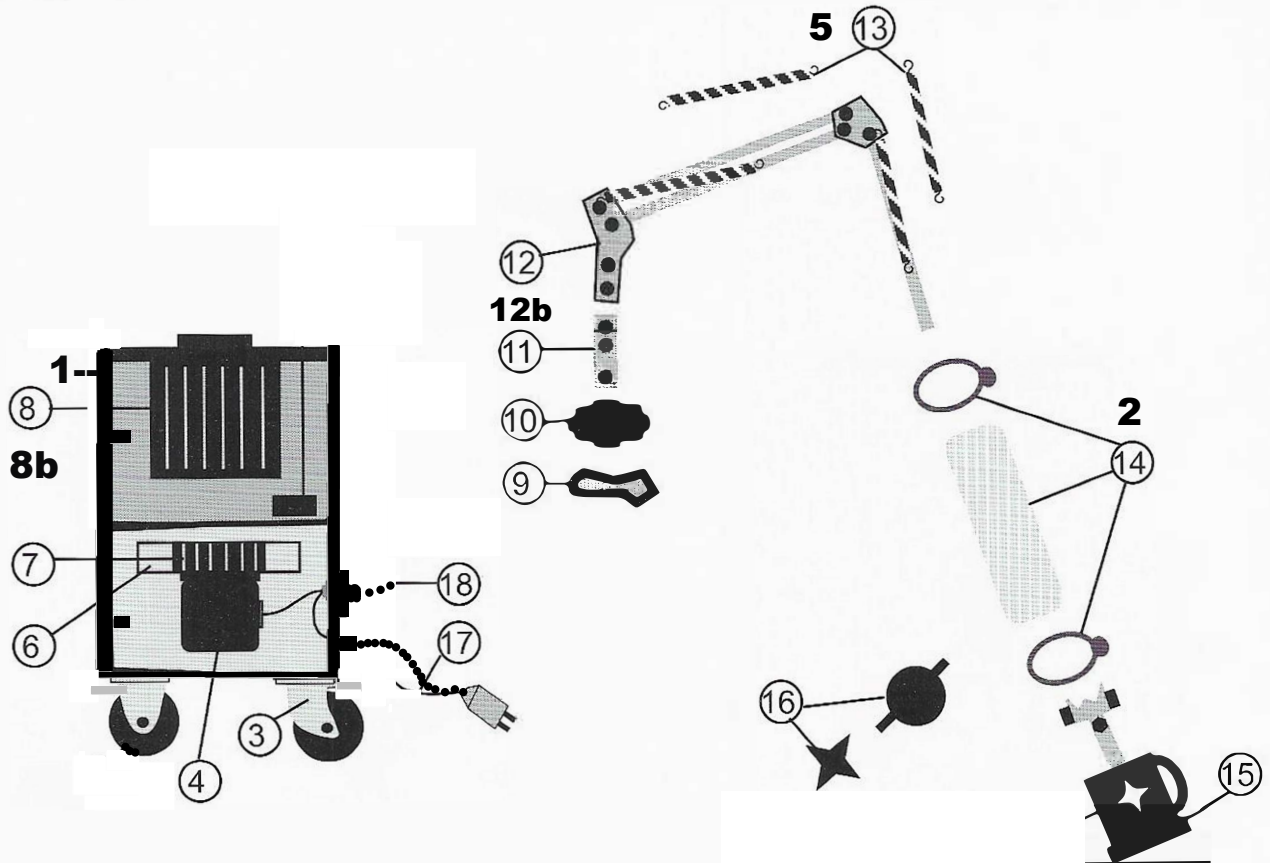
# Spare Parts: MF-F9/HEPA Flexi FLB Extraction-Arm 2m/3m

SPARE PARTS

ERSATZTEILE

PIÈCES DE RECHANGE

PIEZAS DE REPUESTO



## ENGLISH ORDER INSTRUCTION

When ordering spare parts always state:  
-Detail no. of the spare part and the name (as per list below).  
-Quantity of the parts required.

## DEUTSCH BESTELLANLEITUNG

Bei der Bestellung von Ersatzteilen immer angeben:  
- Ersatzteilnummer und Beschreibung (s. Liste unten).  
- Anzahl erforderlicher Ersatzteile.

## FRANCAIS INSTRUCTIONS DE COMMANDE

Lors de la commande de pièces de rechange, toujours spécifier:  
- Numéro de détail et dénomination (voir liste).  
- Quantités des pièces requises.

## ESPAÑOL INSTRUCCIONES DE PEDIDO

Cuando pida repuestos especifique siempre:  
- N° de pieza del repuesto (en la lista).  
- Cantidad de repuestos requeridos.

1. Door
2. Hose+Hose Clamps 2m Arm
3. Pivoting Wheel with brake
4. Electric motor
5. Spring Set 2m Arm
6. Fan housing
7. Impellar
8. Filter cartridge F9
- 8b. Filter cartridge HEPA H13
9. Rubber kollar
10. House ring
11. Shaft
12. Inside Arm 2m complete
- 12b. Inside Arm 3m complete
13. Spring set 3m Arm
14. Hose+Clamps 3m Arm
15. Hood, complete
16. Damper set
17. Cable
18. Circuit breaker/overload

1. Tür
2. Schlauch+Schellen 2m Arm
3. Rat mit Bremsvorrichtung
4. Elektromotor
5. Feder Satz 2m Arm
6. Ventilatorgehäuse
7. Flügelrad
8. Filterpatrone F9.
- 8b Filterpatrone HEPA H13
9. Dichtungsring aus Gummi
10. Schlauchring
11. Achse
12. Inner Arm 2m komplett
- 12b Inner Arm 3m Komplett
13. Feder Satz 3m Arm
14. Schlauch+Shelle 3m Arm
15. Haube, komplett
16. Drosselklappe satz
17. Kabel
18. Geräteschutzschalter



### Declaration of conformity

We, J. Plymoth AB, declare under our sole responsibility that the product lines **MF-F9/HEPA, MF-Active Carbon, MF-Eco/F9, MF-Eco/HEPA, MF-Filter-Tables, MF-Eco Filter-Tables, FK-Mesa Backdraft Filter-Tables, MKF Filter-Tables, Labbe, MF-Lab, MF-Eco Lab, CF Central Filters, Mobo-Oil, Denta-Flex, Fica-Flex and VBF-Office** to which this declaration relates is in conformity with Directives 2006/42/EC, 2014/30/EU, 2011/65/EU and Standards EN 60204-1:2006, EN ISO 12100:2010, EN ISO 15012-1:2013, EN 61000-6-2:2005, EN 61000-6-3:2007, EN ISO 20607:2019.

J. Plymoth AB  
Traryds Allen 4D  
28772 Traryd

87

  
Jenny Nilsson  
Verkställande Direktör

2023-01-01