

Technical Data

MF-Mobile Extractor Filter/F9 (12m²)

MF-Mobile Extractor Filter/HEPA H13/W3 (9m²)

Welding Fume and Dust

MF is a mobile extractor with “no maintenance” replacement cartridge filters for mechanical cleaning of light welding fumes and light grinding dust.

Normal Welding F9

MF-F9 is a perfect solution for Light Normal Welding and Light Grinding.

Stainless Steel Welding HEPA H13/W3

MF HEPA H13/W3 is a safe and simple solution for light Stainless-Steel Welding. More than 99,95% Efficiency.

Flexible and Economical

MF is robust, yet the easily maneuverable wheels and the handles make for effortless transportation. Add to this the super-flexible Flexi extractor arm, and you have a supremely versatile and flexible filtration unit that can be moved between different workstations.

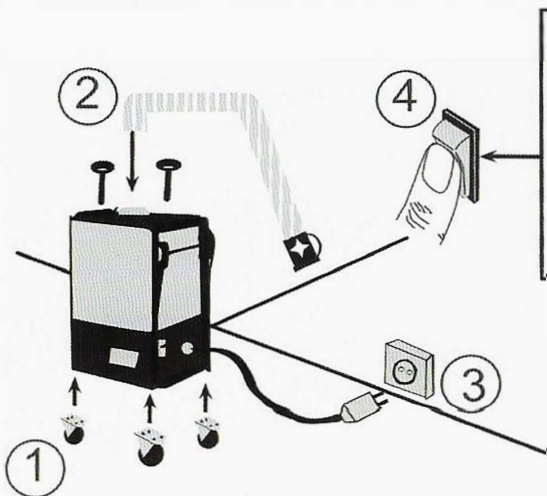
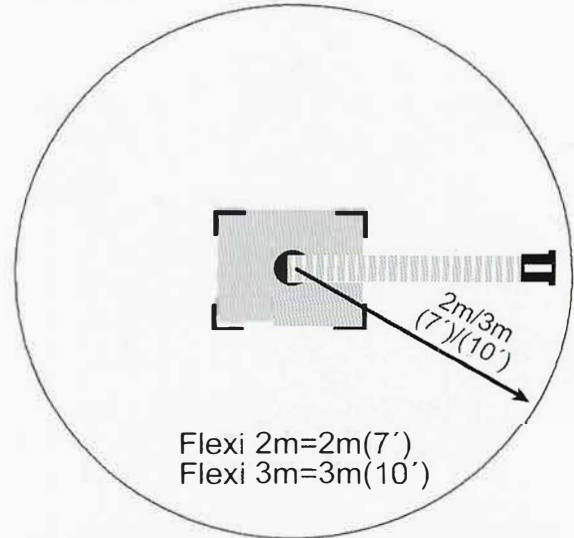
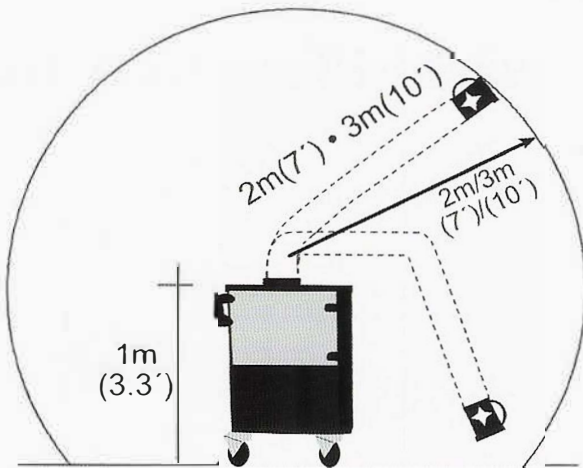
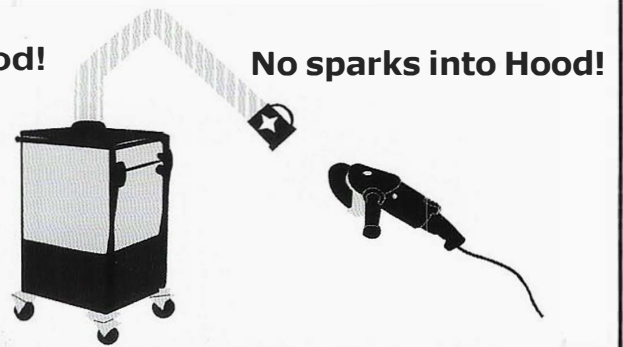
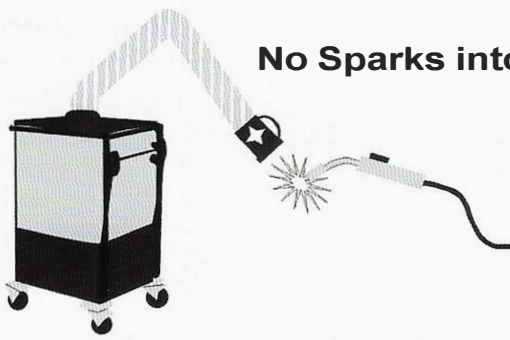


	Art. Nr.
MF Mobile Filter F9 (12m ²) 0.75kW/1-Ph /220 V/50Hz. Extraction Arm not incl.	P-001
MF Mobile Filter HEPA H13/W3 (9m ²) 0.75kW/1-Ph/220V/50Hz. Extraction Arm not incl.	P-957
Flexi Table/Filter Extraction Arm FLB 1.5 m / d.160 mm	P-069
Flexi Table/Filter Extraction Arm FLB 2 m / d.160 mm	P-168
Flexi Table/Filter Extraction Arm FLB 3 m / d.160 mm	P-169
F9 Replacement filter cartridge (12m ²)	P-160
HEPA H13 / W3 (9m ²) Replacement Filter	P-958
Holder for 2 Flexi Filter Extraction Arms. D.160 mm.	P-086

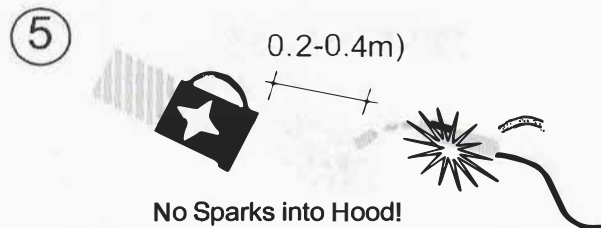
Measures MF-F9 and HEPA Mobile Extractor-FilterS.



Weight: 70kg + Extraction-Arm 15-25kg (1.5m/2m/3m d.160mm).



- (GB) Circuit breaker with thermal overload
- (D) Geräteschutzschalter mit thermischem Überstromschutz
- (F) Disjoncteur pour équipement à surcharge thermique
- (E) Disyuntor por sobrecarga térmica
- (I) Interruttore termico di protezione dal sovraccarico
- (NL) Uitschakelaar met thermische beveiliging tegen overstroom
- (SF) Virtapiirikatkaisimien lämpöylkuormitus
- (S) Strömbrytare med termiskt överströmsskydd





Declaration of conformity

We, J. Plymoth AB, declare under our sole responsibility that the product lines **MF-F9/HEPA, MF-Active Carbon, MF-Eco/F9, MF-Eco/HEPA, MF-Filter-Tables, MF-Eco Filter-Tables, FK-Mesa Backdraft Filter-Tables, MKF Filter-Tables, Labbe, MF-Lab, MF-Eco Lab, CF Central Filters, Mobo-Oil, Denta-Flex, Fica-Flex and VBF-Office** to which this declaration relates is in conformity with Directives 2006/42/EC, 2014/30/EU, 2011/65/EU and Standards EN 60204-1:2006, EN ISO 12100:2010, EN ISO 15012-1:2013, EN 61000-6-2:2005, EN 61000-6-3:2007, EN ISO 20607:2019.

J. Plymoth AB
Traryds Allen 4D
28772 Traryd

87

A handwritten signature in blue ink, appearing to read 'Jenny Nilsson', is written over the printed name and title.

Jenny Nilsson
Verkställande Direktör

2023-01-01