



## Technical Data

### ***SM(Super-Max) 1.5m-4m.***

**Dia. 100mm/125mm/160mm/200mm.**

#### **General Information.**

The SM Extraction-Arms are designed to extract fume and gases. The Wallbracket is included. The flame-proof flexible hose, with covered steelspiral, has a parallelogram system outside to balance the hose and hood. Free flow in the hose gives lower pressure drop and less maintenance.

The steel hood is black painted and can be turned 90 degrees in all directions. It can easily be positioned at any point within the working area and it has an built in damper.

The SM Extraction-Arms can be equipped with a separate fan directly on the wallbracket or be connected to a central fan system. Max allowed vacuum is 1500Pa.

Max temperature of the exhausted air is 70 Degrees Celsius.

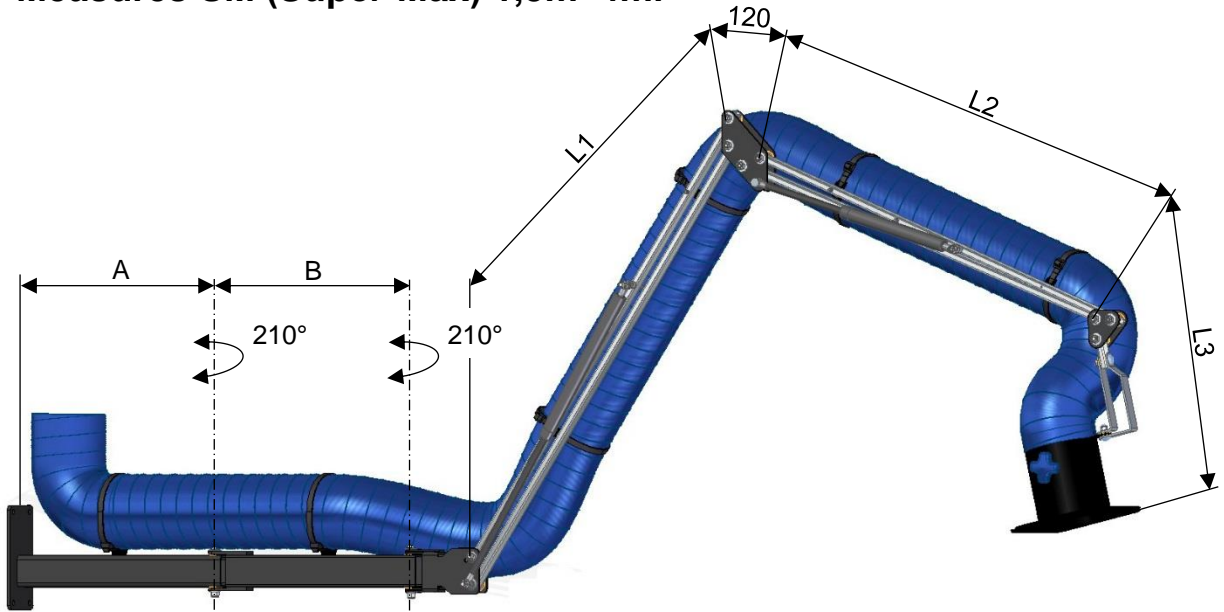
Recomended airflow for d.100mm is 400-600m<sup>3</sup>/h.

Recomended Airflow for d.125mm is 500-800m<sup>3</sup>/h.

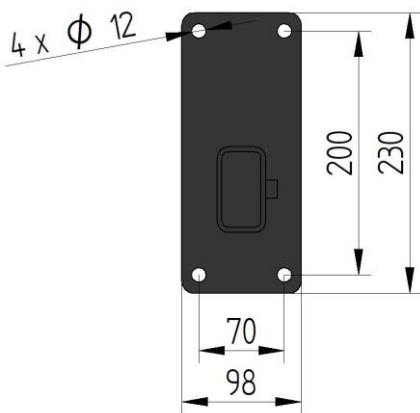
Recomended Airflow for d.160mm is 700-1000m<sup>3</sup>/h.

Recomended Airflow for d.200mm is 1000-2000m<sup>3</sup>/h.

**Measures SM (Super-Max) 1,5m–4m.**



**Wallbracket (mm) Each wall bolt must stand a traction power of min. 1600N.**



	A	B	L1	L2	L3	Weight	Longueur
<b>1,5 m</b>	250 mm	0mm	435 mm	335 mm	480 mm	14 kg	1750 mm
<b>2,0 m</b>	500 mm	0mm	435 mm	335 mm	480 mm	15 kg	2000 mm
<b>2,2 m</b>	250 mm	0mm	665 mm	565 mm	480 mm	17 kg	2250 mm
<b>2,5 m</b>	500 mm	0mm	665 mm	565 mm	480 mm	18 kg	2500 mm
<b>3,0 m</b>	500 mm	0mm	1165 mm	960 mm	480 mm	24 kg	3350 mm
<b>4,0 m</b>	500 mm	500mm	1165 mm	960 mm	480 mm	27 kg	3850 mm

# Pressure Drop. Super-Max Extraction-Arms and Cranes.

## Ø 100mm Extraction-Arms.

Extraction-Arm	400m <sup>3</sup> /h	500m <sup>3</sup> /h	600m <sup>3</sup> /h	700m <sup>3</sup> /h
1.5-2m Ø 100mm	235 Pa	340 Pa	450 Pa	570 Pa
3m Ø 100mm	305 Pa	440 Pa	575 Pa	725 Pa
4m Ø 100mm	375 Pa	540 Pa	700 Pa	880 Pa

## Ø 125mm Extraction-Arms.

Extraction-Arm	450m <sup>3</sup> /h	600 m <sup>3</sup> /h	750 m <sup>3</sup> /h	900 m <sup>3</sup> /h
1.5-2m Ø 125mm	120 Pa	270 Pa	400 Pa	540 Pa
3m Ø 125mm	145 Pa	315 Pa	470 Pa	630 Pa
4m Ø 125mm	165 Pa	360 Pa	540 Pa	720Pa

## Dia.125mm Extraction-Cranes.

Extraction-Crane	450m <sup>3</sup> /h	600 m <sup>3</sup> /h	750 m <sup>3</sup> /h	900 m <sup>3</sup> /h
4m (2+2m) Ø 125mm	205 Pa	450 Pa	665 Pa	900 Pa
5m (2+3m) Ø 125mm	225 Pa	495 Pa	735 Pa	990 Pa
6m (3+3m) Ø 125mm	245 Pa	540 Pa	805 Pa	1.080 Pa
7m (4+3m) Ø 125mm	265 Pa	585 Pa	875 Pa	1.170 Pa
8m (5+3m) Ø 125mm	285 Pa	630 Pa	945 Pa	1.260 Pa

## Ø 160mm Extraction-Arms.

Extraction-Arm	700m <sup>3</sup> /h	1.000 m <sup>3</sup> /h	1.200 m <sup>3</sup> /h	1.300 m <sup>3</sup> /h
1.5-2m Ø 160mm	220 Pa	385 Pa	550 Pa	660 Pa
3m Ø 160mm	240 Pa	420 Pa	600 Pa	720 Pa
4m Ø 160mm	260 Pa	455 Pa	650 Pa	780 Pa

## Dia. 160mm Extraction-Cranes.

Extraction-Crane	700m <sup>3</sup> /h	1.000 m <sup>3</sup> /h	1.200 m <sup>3</sup> /h	1.300 m <sup>3</sup> /h
4m (2+2m) Ø 160mm	380 Pa	665 Pa	950 Pa	1.140 Pa
5m (2+3m) Ø 160mm	400 Pa	700 Pa	1.000 Pa	1.200 Pa
6m (3+3m) Ø 160mm	420 Pa	735 Pa	1.050 Pa	1.260 Pa
7m (4+3m) Ø 160mm	440 Pa	770 Pa	1.100 Pa	1.320 Pa
8m (5+3m) Ø 160mm	460 Pa	805 Pa	1.150 Pa	1.380 Pa

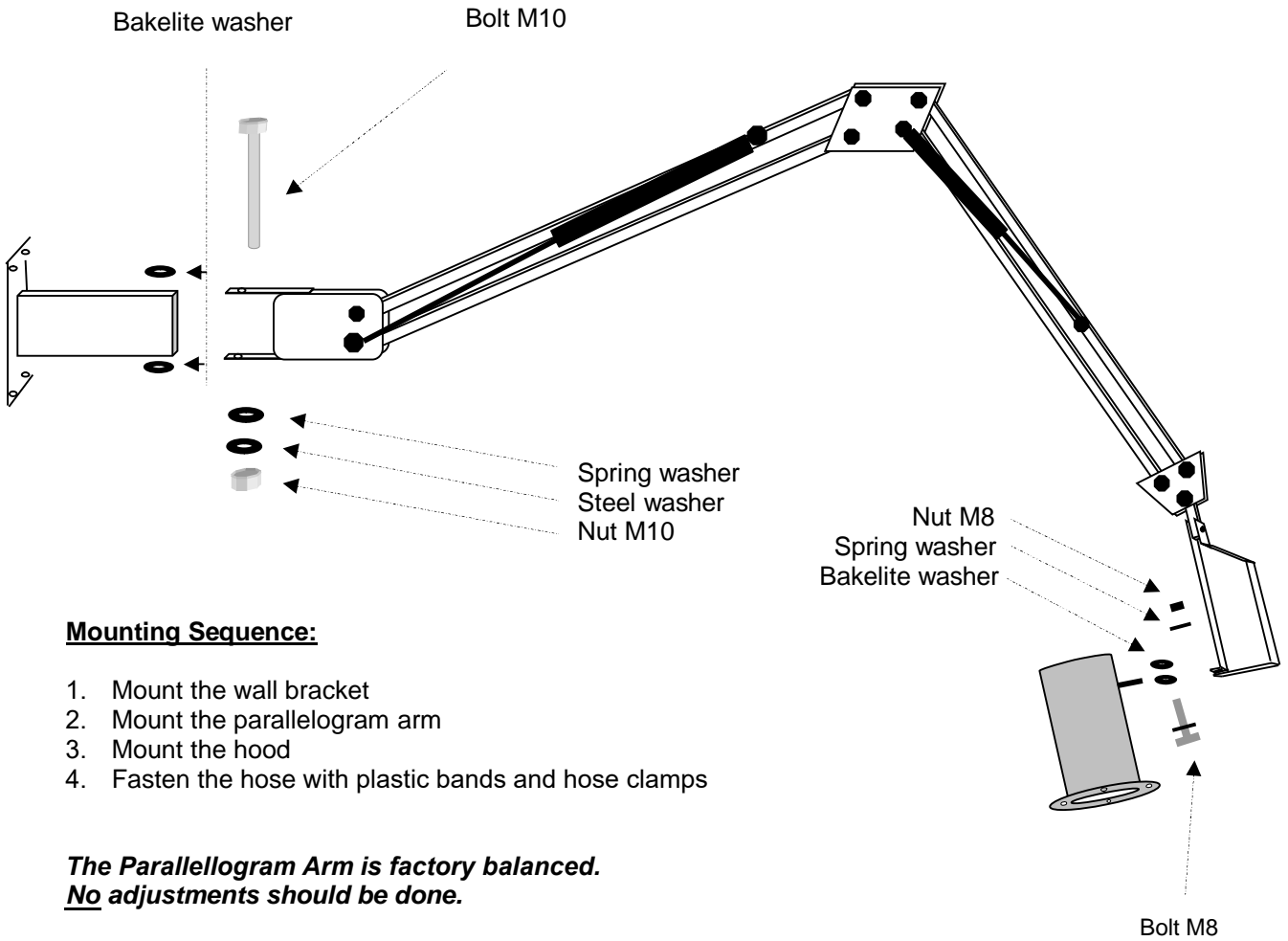
## Ø 200mm Extraction-Arms.

Extraction-Arm	1.200m <sup>3</sup> /h	1.600 m <sup>3</sup> /h	2.000 m <sup>3</sup> /h	2.400 m <sup>3</sup> /h
1.5-2m Ø 200mm	108 Pa	195 Pa	273 Pa	450 Pa
3m Ø 200mm	123 Pa	217 Pa	301 Pa	500 Pa
4m Ø 200mm	180 Pa	325 Pa	455 Pa	750 Pa

## Dia. 200mm Extraction-Cranes.

Extraction-Crane	1.200m <sup>3</sup> /h	1.600 m <sup>3</sup> /h	2.000 m <sup>3</sup> /h	2.400 m <sup>3</sup> /h
4m (2+2m) Ø 200mm	180 Pa	325 Pa	455 Pa	750 Pa
5m (2+3m) Ø 200mm	195 Pa	347 Pa	483 Pa	800 Pa
6m (3+3m) Ø 200mm	210 Pa	369 Pa	511 Pa	850 Pa
7m (4+3m) Ø 200mm	225 Pa	391 Pa	539 Pa	900 Pa
8m (5+3m) Ø 200mm	240 Pa	413 Pa	567 Pa	950 Pa

# Mounting Instruction SM(Super-Max) Extraction-Arm.

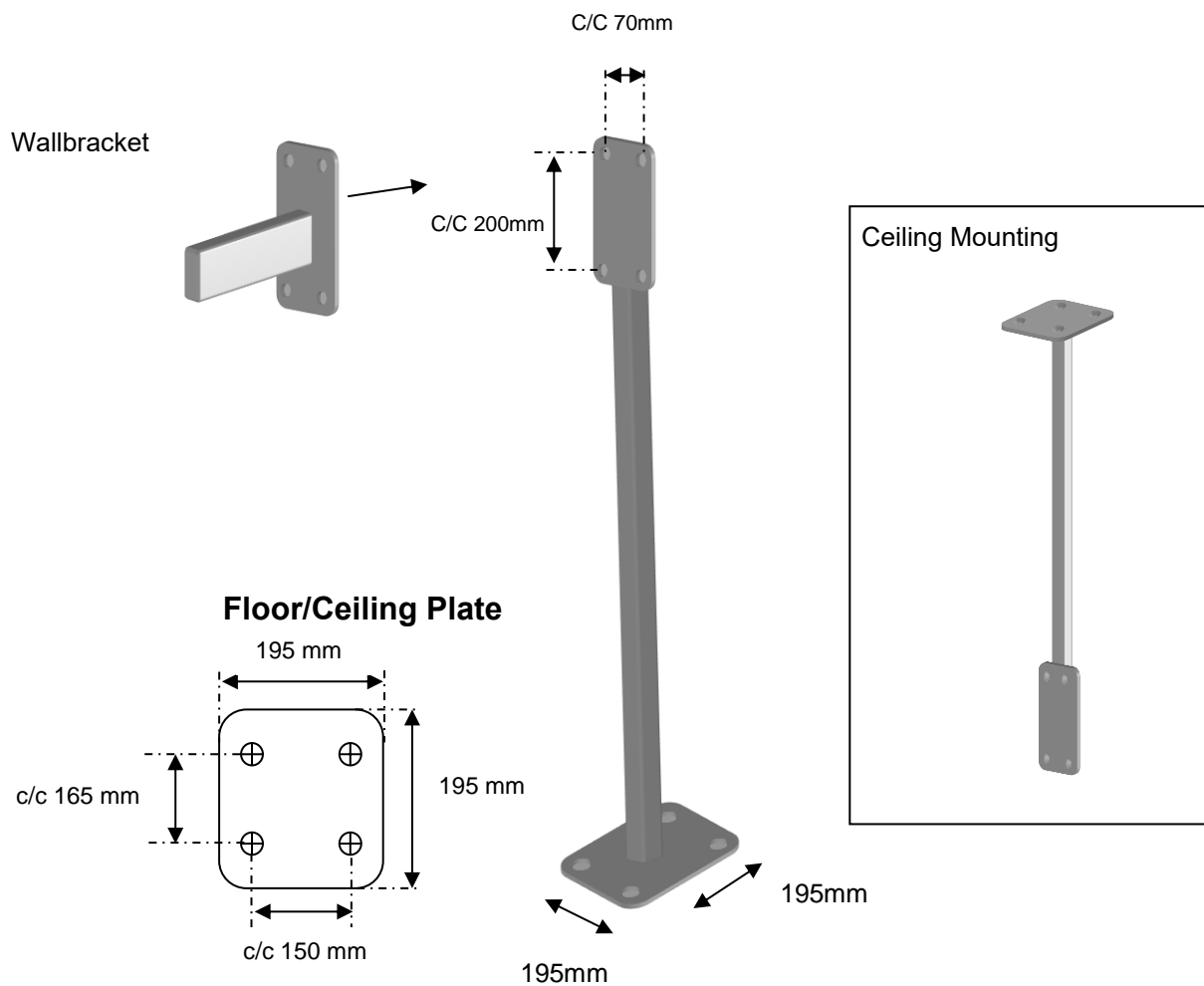


## **Mounting Sequence:**

1. Mount the wall bracket
2. Mount the parallelogram arm
3. Mount the hood
4. Fasten the hose with plastic bands and hose clamps

***The Parallelogram Arm is factory balanced.  
No adjustments should be done.***

## Floor/Ceiling Stanchion for SM Extraction-Arms



	Art.-Nr.
0,5m	P-434
0,75m	P-435
1,0m	P-083
1,25m	P-436
1,5m	P-437
1,75m	P-438
2,0m	P-084
2,25m	P-439
2,5m	P-440



### **Declaration of conformity**

We, J. Plymoth AB, declare under our sole responsibility that the product lines **Flexa, Chemikus, Flexi, Super-Max and Super-Vac** to which this declaration relates is in conformity with Directives 2006/42/EC and Standards EN ISO 12100:2010 and EN ISO20607;2019.

J. Plymoth AB  
Traryds Allen 4D  
28772 Traryd

  
Jenny Nilsson  
Verkställande Direktör

2023-01-01