

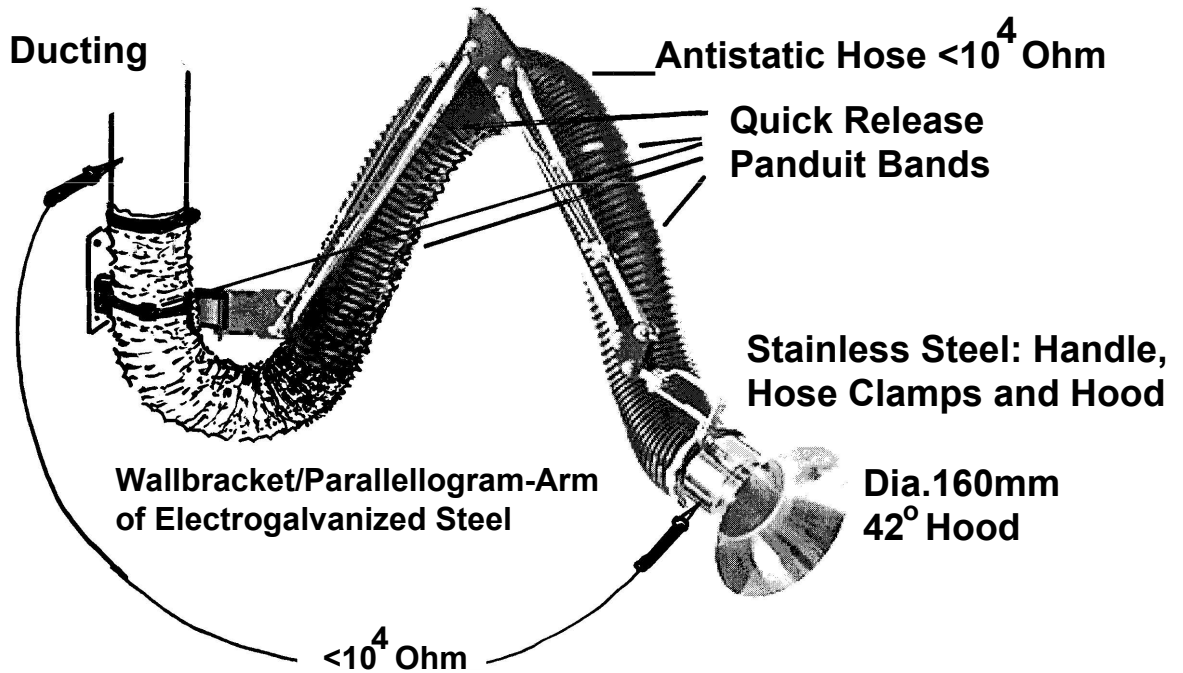
# **\*Technical Data.**



## **ATEX Super-PM Extraction-Arm**

- **ATEX Extraction-Arm for use in Zone 1 and 21.**
- **Hood and Handle of Acid Proof Mirror Polished Stainless Steel.**
- **Wall Bracket and Parallellogram Arm of Electro Galvanized Steel.**
- **Parallellogram Arm Outside. Free Flow in the Hose.**
- **Extremely easy to move and stays in position.**
- **Models: Dia. 110mm or 160mm. Length: 1.5m/2m/2.2m/2.5m/3m/4m.**
- **Dia. 110mm: Staight Hood, 67 degree Hood or 150 degree Hood.**
- **Dia. 160mm: 42 degree Hood.**

## Unit Description ATEX Super-PM



**The ATEX Super PM Extraction-Arms** are designed to extract fume, light dust and gases in tough environments where there are risk of explosions. The flexible PVC Hose, with covered steelspiral, has a parallelogram system outside to balance the hose and hood. Free flow in the hose gives lower pressure drop and less maintenance.

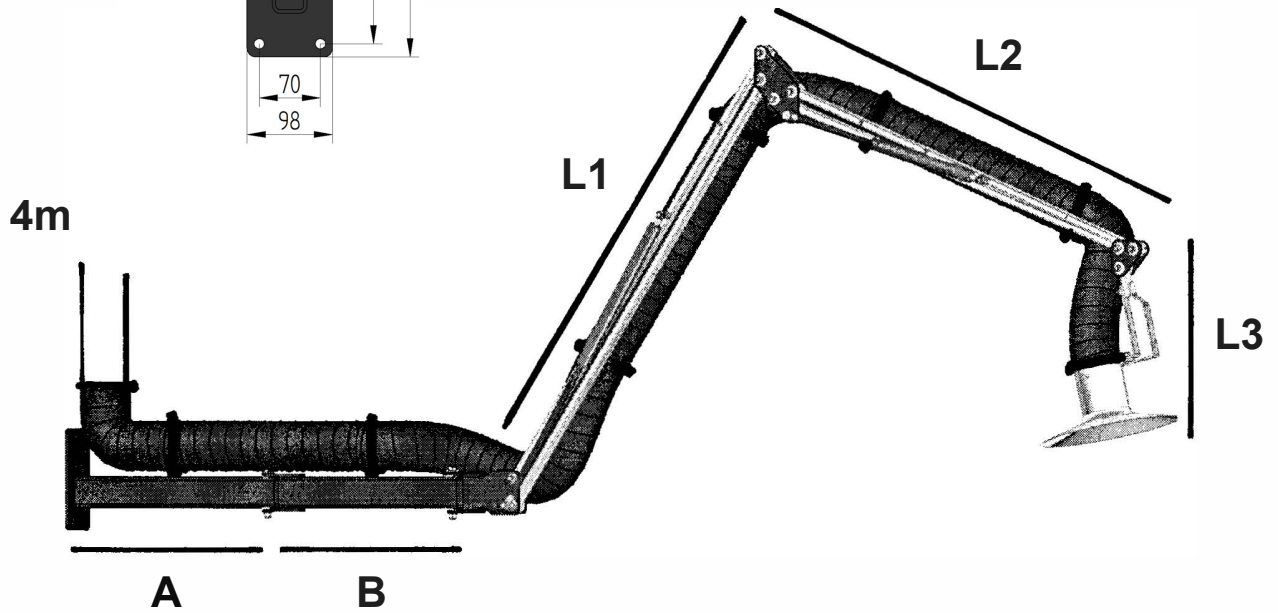
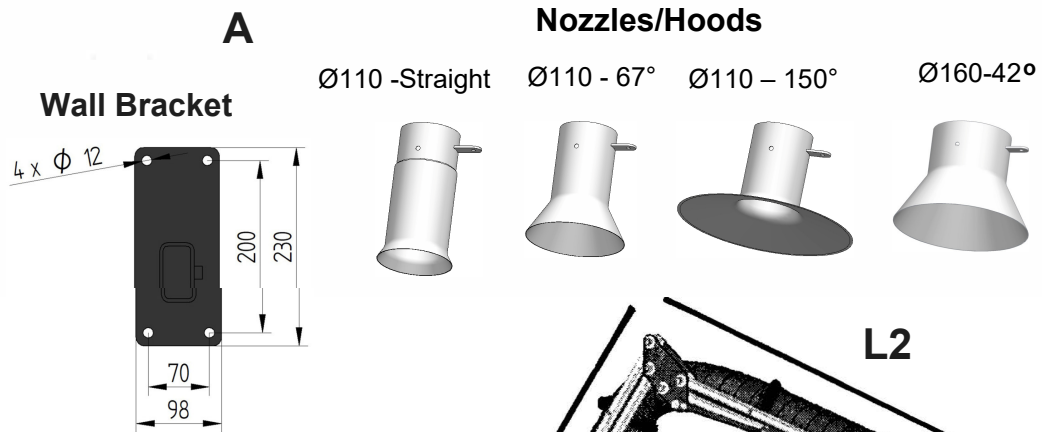
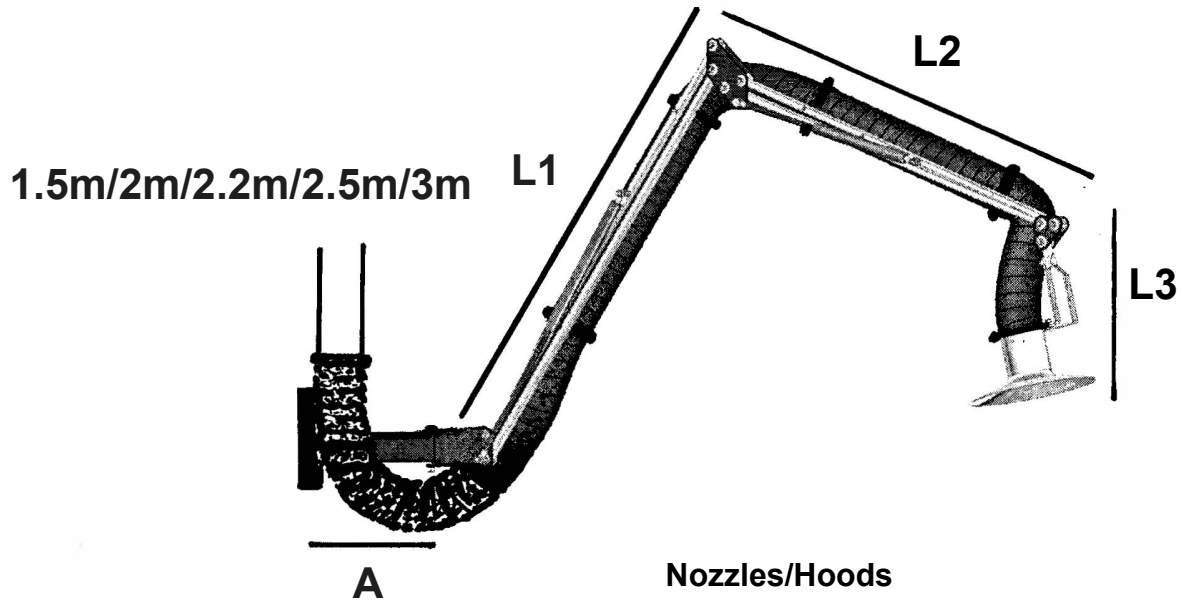
The Acidproof Stainless Steel Handle and Hood can be turned 90 degrees in all directions. It is easy to position at any point within the working area. It can be equipped with a Stainless Steel Damper (accessory).

The Super PM Extraction-Arm shall be connect to a an exhaust system designed for the work situation. Max allowed vacuum is 1500Pa.

Recomended Airflow for dia.110mm Models is 400-700m<sup>3</sup>/h.

Recomended Airflow for dia. 160mm Models is 700-1300m<sup>3</sup>/h.

**Measures (mm.) ATEX Super-PM.  
1.5m, 2m, 2.2m, 2.5m, 3m and 4m.**



	A	B	L1	L2	L3	Weight	Total Length
1,5 m	250 mm	-	435 mm	335 mm	480 mm	14 kg	1750 mm
2,0 m	500 mm	-	435 mm	335 mm	480 mm	15 kg	2000 mm
2,2 m	250 mm	-	665 mm	565 mm	480 mm	17 kg	2250 mm
2,5 m	500 mm	-	665 mm	565 mm	480 mm	18 kg	2500 mm
3,0 m	500 mm	-	1165 mm	960 mm	480 mm	24 kg	3350 mm
4,0 m	500 mm	500 mm	1165 mm	960 mm	480 mm	27 kg	3850 mm

# Pressure Drop: ATEX Super-PM Extraction-Arms.

## Ø 110mm Extraction-Arms.

Extraction-Arm	400m <sup>3</sup> /h	500m <sup>3</sup> /h	600m <sup>3</sup> /h	700m <sup>3</sup> /h
1.5-2.5m Ø 110mm	300 Pa	450 Pa	600 Pa	750 Pa
3m Ø 110mm	325 Pa	500 Pa	650 Pa	825 Pa
4m Ø 110mm	375 Pa	550 Pa	700 Pa	900 Pa

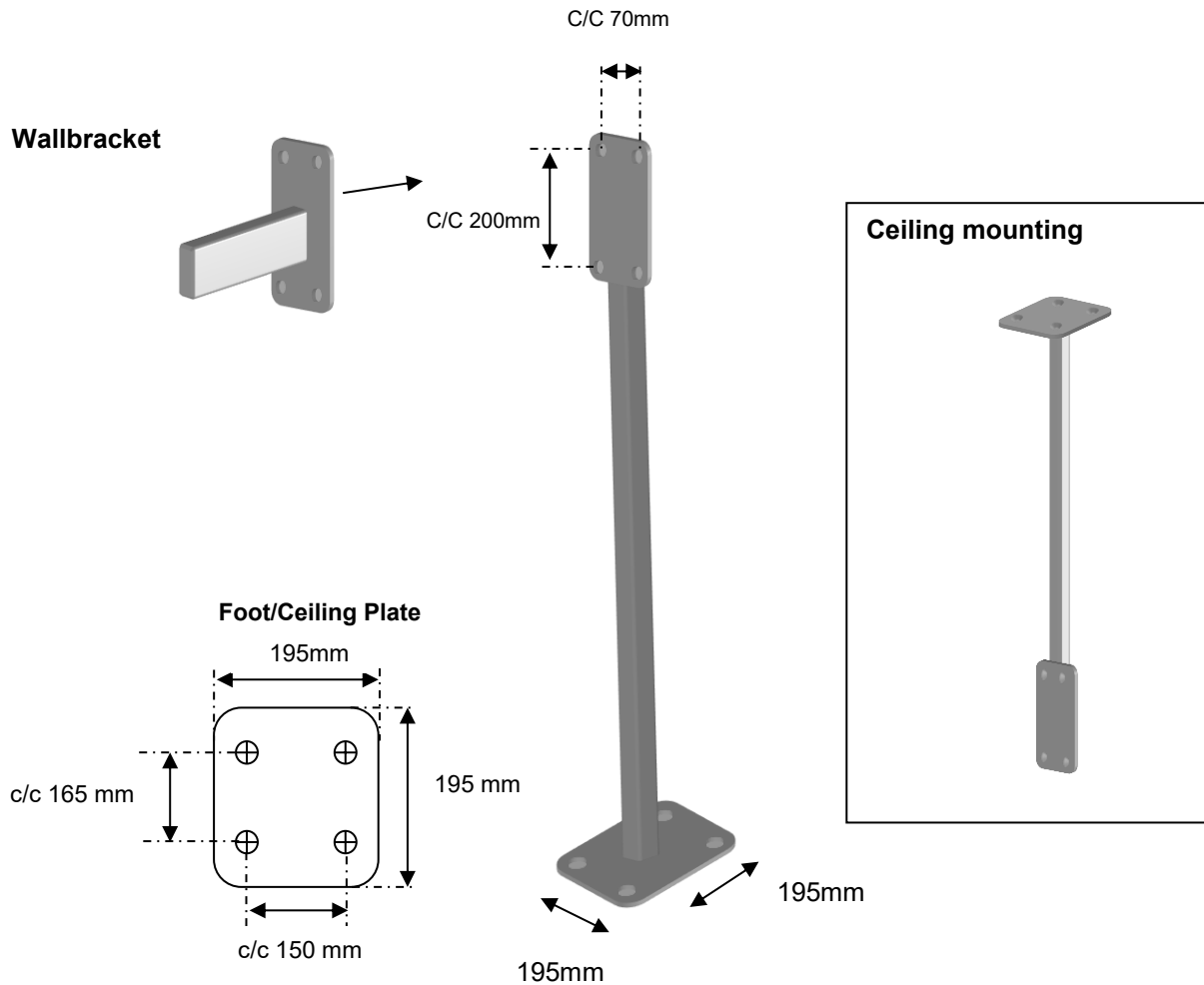


## Ø 160mm Extraction-Arms.

Extraction-Arm	700m <sup>3</sup> /h	1.000 m <sup>3</sup> /h	1.200 m <sup>3</sup> /h	1.300 m <sup>3</sup> /h
1.5-2.5m Ø 160mm	350 Pa	550 Pa	700 Pa	780 Pa
3m Ø 160mm	375 Pa	600 Pa	750 Pa	850 Pa
4m Ø 160mm	400 Pa	650 Pa	800 Pa	900 Pa



# Floor/Ceiling Stanchion for Atex Super-PM Extraction-Arms 1.5m-4m. of Powder painted Steel (Accessory).



	Art.-Nr.
0,5m	P-434
0,75m	P-435
1,0m	P-083
1,25m	P-436
1,5m	P-437
1,75m	P-438
2,0m	P-084
2,25m	P-439
2,5m	P-440



## Declaration of Conformity

**In conformity with Directives 2014/34/EU**

**Responsible person is** *Jenny Nilsson, -see Manufacturer Adress below:-*

**The Manufacturer**

*Plymoth AB, Traryds allén 4 D, 28772 Traryd Sweden*

declare under our sole responsibility that the product line:

**ATEX Super-PM Extraction-Arm**

is in conformity with the above mentioned Directives- including the at the time of this Declaration in force being Changes-and accordingly is permitted to be used in EX-Zone 1/21 and 2/22.

The ATEX Super-PM Extraction-Arm is designed to meet the requirements of Product groupe II, Category 2G/2D, Explosion groupe IIB, Temperature Class T3/200°Celsius and Flame protection C.

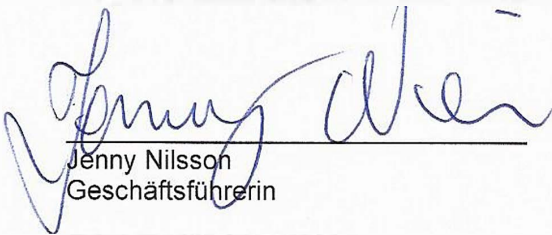
Is in conformity with the following EN Standards:

ISO 80079-36

ISO 80079-37

**Ort: Traryd/ Schweden**

**Datum: 21. März 2024**



Jenny Nilsson  
Geschäftsführerin