

# User Manual

## MF- HEPA H13/W3 (18m<sup>2</sup>) Mobile Extractor-Filter. Stainless Steel Welding.

### STAINLES STEEL Welding Fume.

MF-HEPA is a Mobile Extractor-Filter with Pre-filter Cartridge (9m<sup>2</sup>) and HEPA H13/W3 filter box (9m<sup>2</sup>). Total filter area 18m<sup>2</sup>.

Over 99.95% Efficiency.

The simple solution to light stainless steel welding fume and light very fine dust.

### F9 Pre-Filter Cartridge

F9 Pre-Filter Cartridge (9m<sup>2</sup>) with up to 99% efficiency. Keeps larger particles from reaching the HEPA filter. Thus making it last longer.

Remove the filter cartridge, when the extraction does not catch the fume, and insert a F9 replacement cartridge.

### HEPA H13/W3 Filter Box

HEPA H13/W3 filter box (9m<sup>2</sup>) with more than 99.95% efficiency. Suitable for stainless steel welding fume. Easy to remove and replace.

How often it needs to be changed depends on how the MF-HEPA unit is used.

### Flexible and economical

MF-HEPA is robust, yet it is easily manoeuvrable with 4 Pivoting Wheels with Brakes. It is easy to get it into difficult positions and the brakes keep it steady even when you move the hood/arm..With the super-flexible Flexi Extraction Arm, you have a supremely versatile and flexible filtration unit. It can easily be moved between different work stations.



	Art.Nr.
MF-HEPA H13/W3 (18m <sup>2</sup> ) Mobile Extractor-Filter.1~/1.1kW/220V/50Hz.Arm not incl	P-791
MF-HEPA H13/W3 (18m <sup>2</sup> )Mobile Extractor-Filter. 3~/1.1kW/400V/50Hz. Arm not incl.	P-794
Flexi Table/Filter Extraction Arm FLB 2m/d.160mm.	P-168
Flexi Table/Filter Extraction Arm FLB 3m/d.160mm.	P-169
F9 Replacement Pre-Filter Cartridge (9m <sup>2</sup> ).	P-541
HEPA H13 Replacement Filter box (9m <sup>2</sup> ).	P-544
Holder for 2 Flexi Extraction Arms d.160mm (max.3m).	P-086
Flexi Table/Filter Extraction Arm FLB 2m/d.200mm.	P-170
Flexi Table/Filter Extraction Arm FLB 3m/d.200mm.	P-171

# MF-HEPA/W3 18M2 Measures.



Techical Data		
Volt/Phase	230 Volt / 1~	400 Volt / 3~
KW	1.1 kW	1.1 kW
Ampere	5,15 A	2 A
Revolutions/minute	2.900 R/min	
Frequency	50Hz	
	IP 55	
Weight	70 kg	
Prefilter	Filter Cartridge F9 (9m2)	
HEPA Filter	HEPA H13 Filter Box 9m <sup>2</sup>	
Efficiency	>99 % and 99.95%	
Noice level (DIN 45635 T1)	ca. 70 dB(A)	
Indoor temperature	+5° C bis +35° C	

# MF-HEPA/W3 18m2.

## **Operating Instructions**

The filter unit is only intended for indoor use. It shall be equipped with an Extraction Arm which covers a radius of two or three meters. In order to achieve a maximum collection level of air pollutants, the extraction unit's hood shall be positioned as close to the pollution source as possible without extracting sparks.

The filter unit is designed for extraction and filtration of light Stainless Steel welding fume. With it's total of 18m2 filter area it has over 99.95% efficiency. Can also be used for light grinding dust, etc.

*Note that the unit is not to be used for extraction of fluids or Gases.*

Before use, check the voltage and frequency on the product's rating plate before it is connected to the power supply. All four of the wheels on the filter unit are pivoting and with brakes which makes it very easy to move even in difficult positions. The brakes make it stay where you leave it even when you move the Extraction-Arm.

## **Replacement of the Filter Cartridge and HEPA Box.**

The unit's Filters are disposable and should be thrown-away after use. Replacing the filters is simple, just open the door of the unit.

To replace the F9 Filter Cartridge you unwind the Wing-Nut which keeps it in position and pull it out. Then do the oposit to install the new one. Use adequate protection clothing.

To replace the HEPA Filter box you just pull it out and replace it with a new one.

The life of the filters varies greatly depending on how the unit is used and how much and what type of pollutants are collected.

Regularly monitor the unit's extraction capacity at the source and change the filters when the extraction capacity is poor. Handle the used filter cartridges according to the relevant regulations for the substances that have been collected. For detailed instructions on how and when you should replace the Filters please see below.

## **Warning**

### **Risk of personal injury.**

1. Do not use the filter for separation of dust that contains substances hazardous to one's health, e.g beryllium, cadmium, lead or asbestos.
2. Check that the mains connecting cable not is squeezed or in another way damaged. At cable replacement a Plymoth original spare part cable shall be used.

### **Risk of fire and explosion**

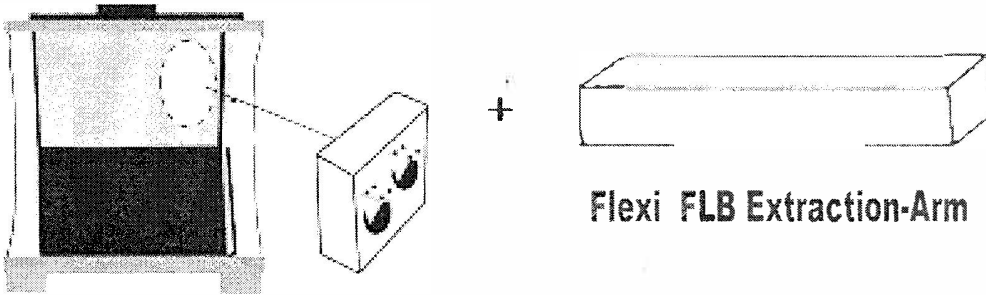
Do not use the filter for inflammable dust or explosive gases.

# Mounting Instruction MF HEPA/W3 18M2

Mounting instruction - Montageanleitung - Instruction de montage - Instrucción de montaje

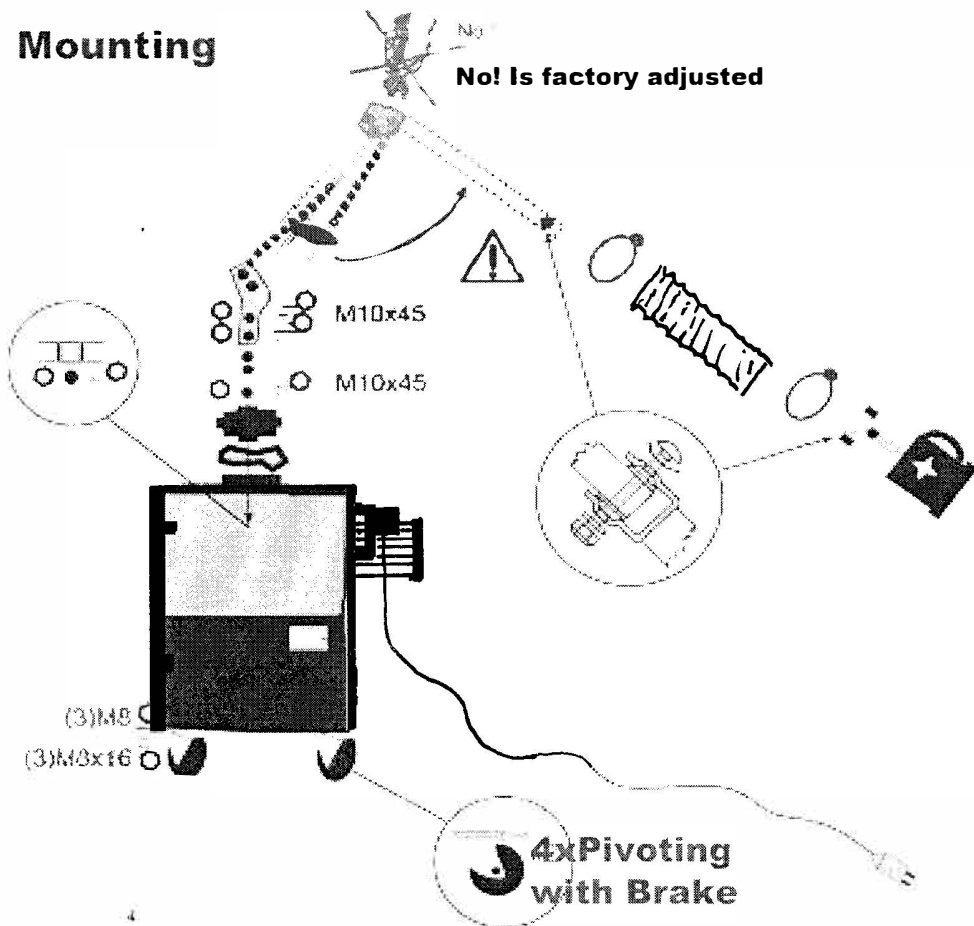
Istruzione di montaggio - Montagehandleiding - Asennusohje - Montage instruktion

## Delivery

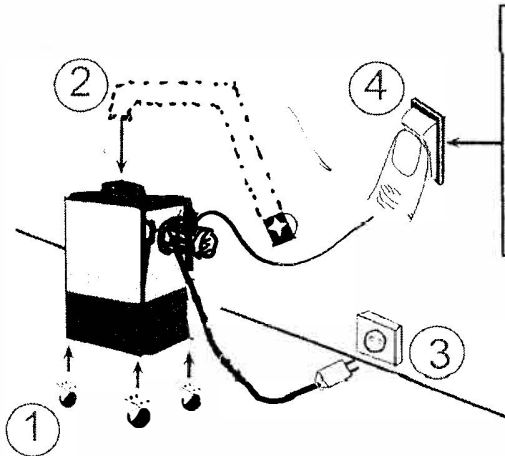
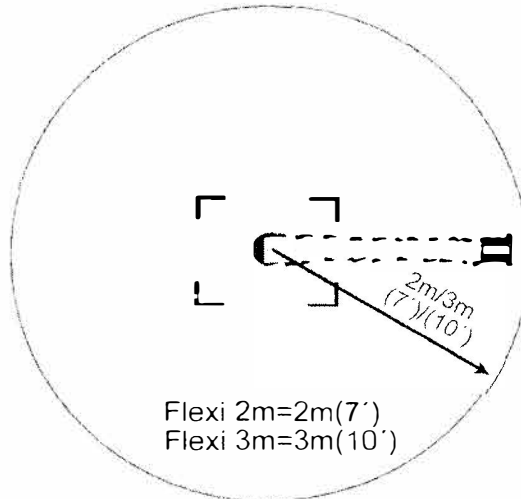
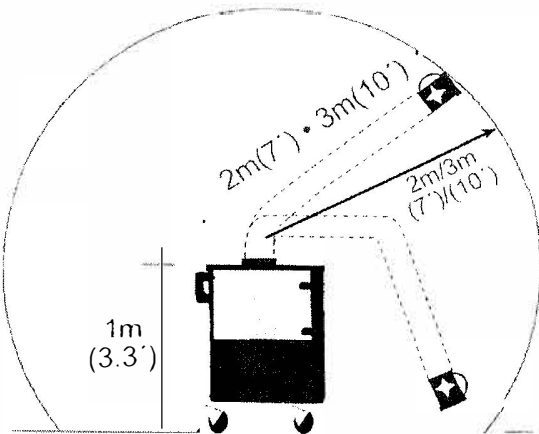
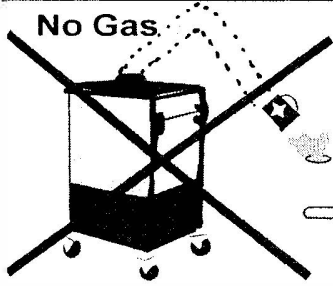
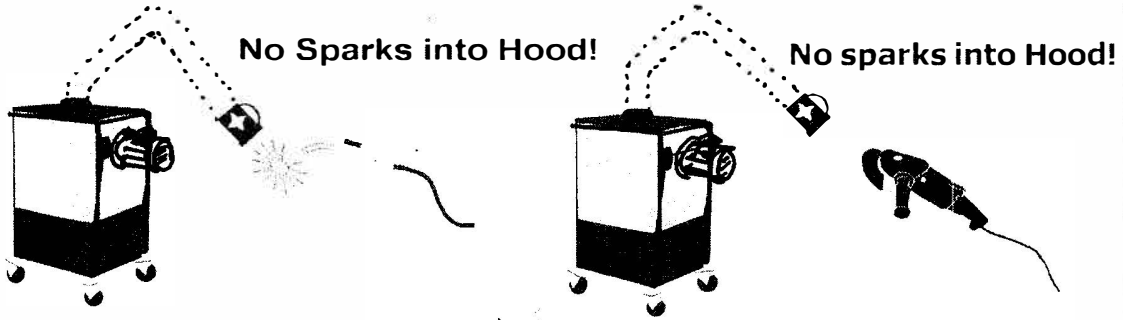


## MF Mobile Extractor Filter

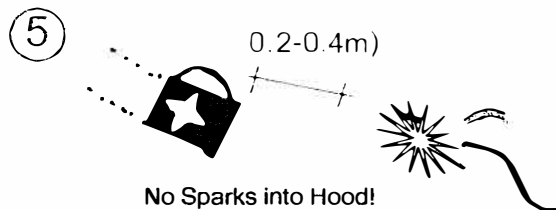
## Mounting



# MF-HEPA/W3 18m<sup>2</sup>



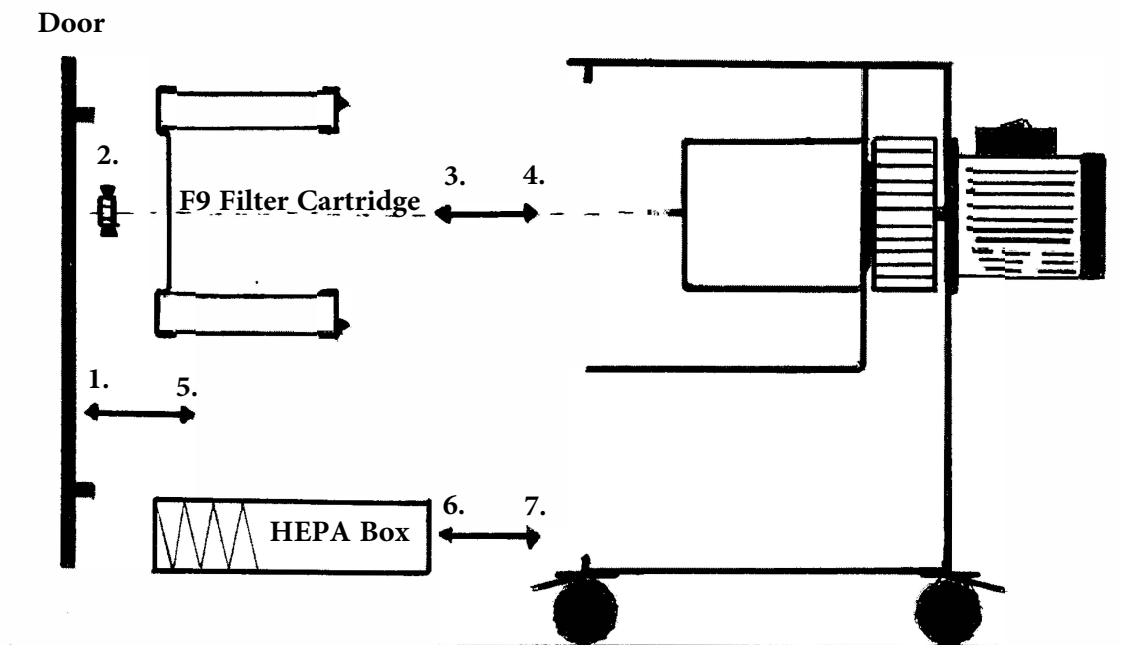
- (GB) Circuit breaker with thermal overload
- (D) Geräteschutzschalter mit thermischem Überstromschutz
- (F) Disjoncteur pour équipement à surcharge thermique
- (E) Disyuntor por sobrecarga térmica
- (I) Interruttore termico di protezione dal sovraccarico
- (NL) Uitschakelaar met thermische beveiliging tegen overstroom
- (SF) Virtapiirikatkaisimien lämpöylkuormitus
- (S) Strömbrytare med termiskt överströmsskydd



**MF-HEPA 18M2. Replacement of Filters when Extraction not is good enough.**

**Take the Electric Plug out of the wall!!**

1. Take off the Door(1.)
2. Loosen Nut(2.)
3. Pull out F9 Filter Cartridge(3)
4. Put in a Replacement F9 Filter Cartridge (4)
5. Mount Nut(2.) and tighten it.
6. Mount the Door(5.) and put the Electric Plug into the wall and start the machine. If the Extraction is good enough go on using it.



7. If the Extraction not is good enough after the replacement of the F9 Filter Cartridge you have to replace the HEPA Filter Box also.

8. Take the electric plug out of the wall!!

9. Take off the Door(1.)

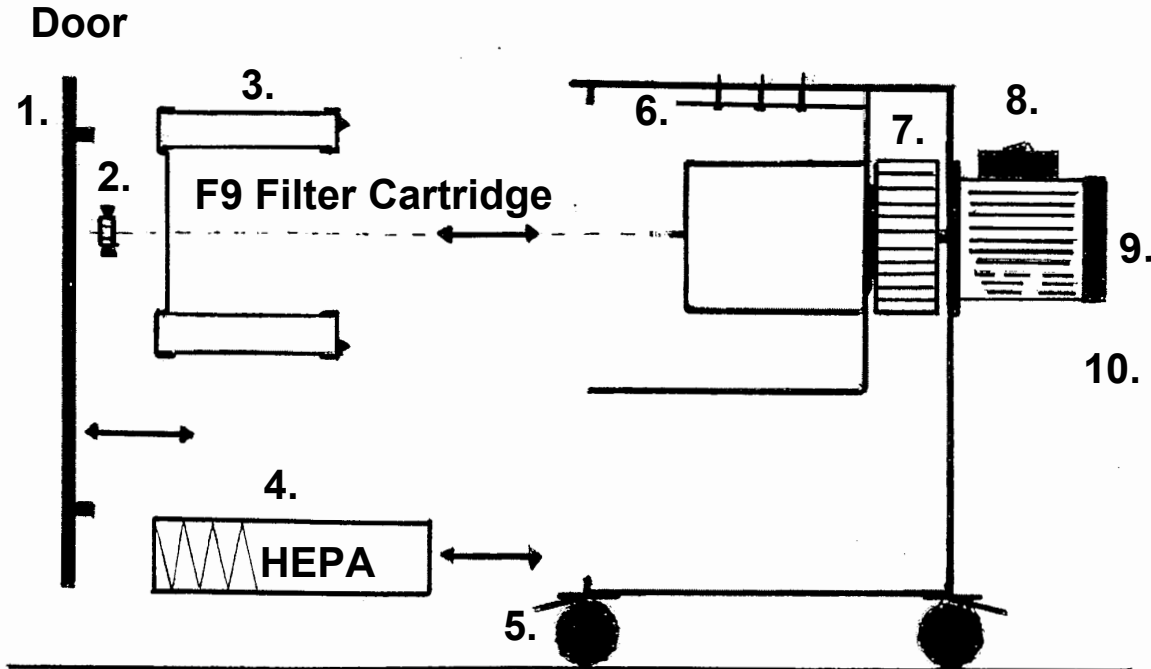
10. Pull out the HEPA Filter Box(6.).

11. Put in a Replacement HEPA Filter Box(7.) with the seal downwards.

12. Mount the door(5.) and put the Electric Plug back into the wall. The unit is ready for work again.

**PLEASE NOTE THAT THE USED FILTERS HAVE TO BE TAKEN CARE OFF ACCORDING TO LOCAL LAWS!!!**

## MF-HEPA/W3 18m2. SPARE PARTS.



1. Complete Door.
2. Wing Nut M10.
3. F9 Filter Cartridge 9m2/P-541.
4. HEPA Filter Box 9m2/P-544.
5. Pivoting Castor with Brake. Height 125mm.
6. Complete Spark shield with bolts.
7. Impellar.
8. Circuit braker with thermal overload.
9. Electric motor 1-Phase/220V/1.1kW/50Hz.
10. Electric cable with European plug.

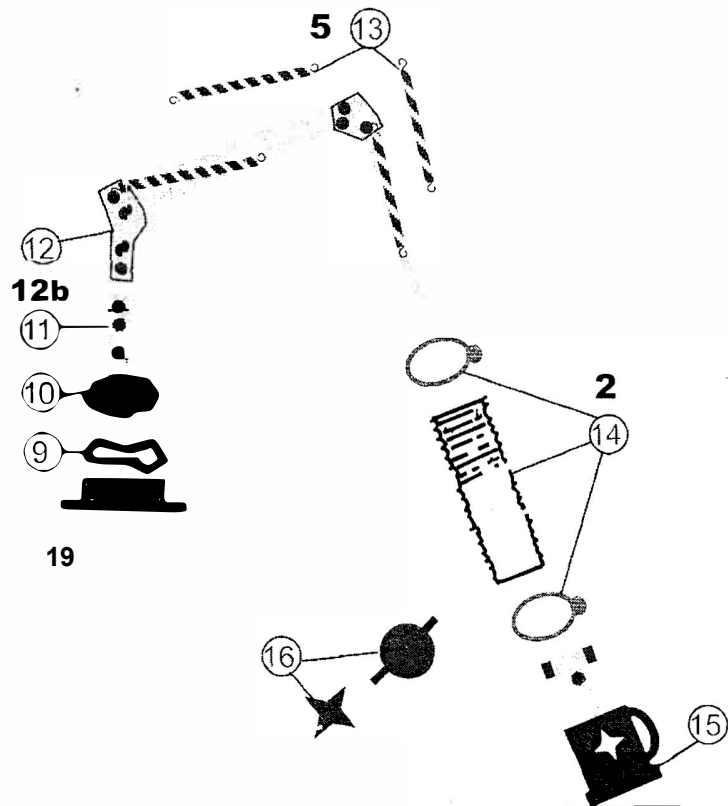
# Spare Parts: Flexi FLB Extraction-Arm 2m/3m

SPARE PARTS

ERSATZTEILE

PIÈCES DE RECHANGE

PIEZAS DE REPUESTO



## ENGLISH ORDER INSTRUCTION

When ordering spare parts always state:  
-Detail no. of the spare part and the name (as per list below).  
-Quantity of the parts required.

## DEUTSCH BESTELLANLEITUNG

Bei der Bestellung von Ersatzteilen immer angeben:  
- Ersatzteilnummer und Beschreibung (s. Liste unten).  
- Anzahl erforderlicher Ersatzteile.

## FRANCAIS INSTRUCTIONS DE COMMANDE

Lors de la commande de pièces de rechange, toujours spécifier:  
- Numéro de détail et dénomination (voir liste).  
- Quantités des pièces requises.

## ESPAÑOL INSTRUCCIONES DE PEDIDO

Quando pida repuestos especifique siempre:  
- N° de pieza del repuesto (en la lista).  
- Cantidad de repuestos requeridos.

- 1.
- 2. Hose+Hose Clamps 2m Arm
- 5. Spring Set 2m Arm
- 9. Rubber collar
- 10. Hose ring
- 11. Shaft
- 12. Inside Arm 2m complete
- 12b Inside Arm 3m complete
- 13. Spring set 3m Arm
- 14. Hose+Clamps 3m Arm
- 15. Hood, complete
- 16. Damper set
- 19 Arm Holder**





### Declaration of conformity

We, J. Plymoth AB, declare under our sole responsibility that the product lines **MF-F9/HEPA, MF-Active Carbon, MF-HEPA 18M2, MF-Eco/F9, MF-Eco/HEPA, MF-Filter-Tables, MF-Eco Filter-Tables, FK-Mesa Backdraft Filter-Tables, MKF Filter-Tables, Labbe, MF-Lab, MF-Eco Lab, CF Central Filters, Mobo-Oil, Denta-Flex, Fica-Flex and VBF-Office** to which this declaration relates is in conformity with Directives 2006/42/EC, 2014/30/EU, 2011/65/EU and Standards EN 60204-1:2006, EN ISO 12100:2010, EN ISO 15012-1:2013, EN 61000-6-2:2005, EN 61000-6-3:2007, EN ISO 20607:2019.

J. Plymoth AB  
Traryds Allen 4D  
28772 Traryd

  
Jenny Nilsson  
Verkställande Direktör

2023-01-01