

Technical Data

MF-Active Carbon Mobile Extractor-Filter 30 Ltr. for Gases and Odors.

Active Carbon 30 Ltr.

MF Active Carbon Mobile Extractor Filter has a “No Maintenance” replacement Cartridge Filter for gases/odors. 30 Ltr. Active Carbon in a Cartridge with Pre-Filter Fleece outside. Efficient built in, single phase, fan and 4.5m electric cable.

Application Examples

1. Cleaning / Degreasing
2. Conservation
3. Gluing / Bonding
4. Molding
5. Screen Printing

Flexible and Economical

MF is robust, yet easily maneuverable with 4 pivoting castors with brakes.

With a super-flexible Flexi Extraction-Arm(1.5/2/3m) you have an extremely versatile and flexible filtration unit that can be moved between different workstations.



	Art. Nr.
MF-Active Carbon (30Ltr.) Mobile Extractor Filter 1-phase / 1.1 kW / 220 V / 50 Hz. Extraction Arm not included.	P-959
Flexi Table/Filter Extraction Arm FLB 1.5 m / d.160 mm	P-069
Flexi Table/Filter Extraction Arm FLB 2 m / d.160 mm	P-168
Flexi Table/Filter Extraction Arm FLB 3 m / d.160 mm	P-169
Replacement Active Carbon Filter Cartridge 30 Ltr. with Pre-Filter Fleece	P-962
Holder for 2 Flexi Filter Extraction Arms. D.160 mm.	P-086

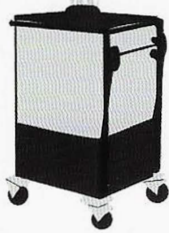
Measures MF- Activ Carbon Mobile Extractor-Filter.



Weight: 70kg + Extraction-Arm 15-25kg (1.5m/2m/3m d.160mm).

MF-Active Carbon

Not for Sparks!



**Cleaning
Degreasing
Conservation**

Just Gas and light Dust



**Gluing/Bonding
Molding
Screen printing**

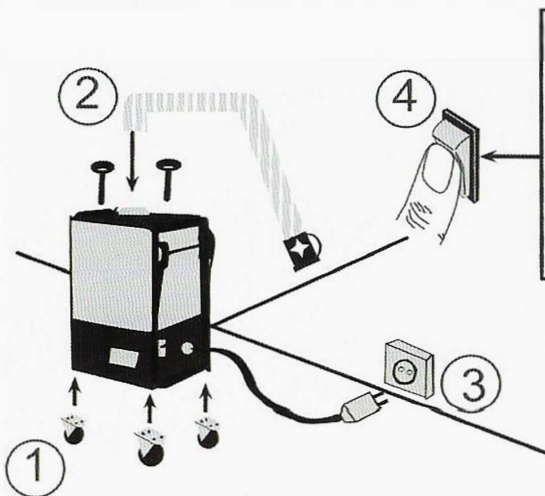
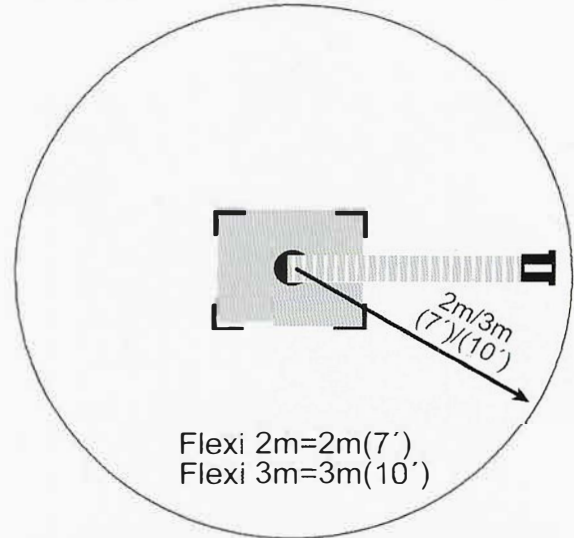
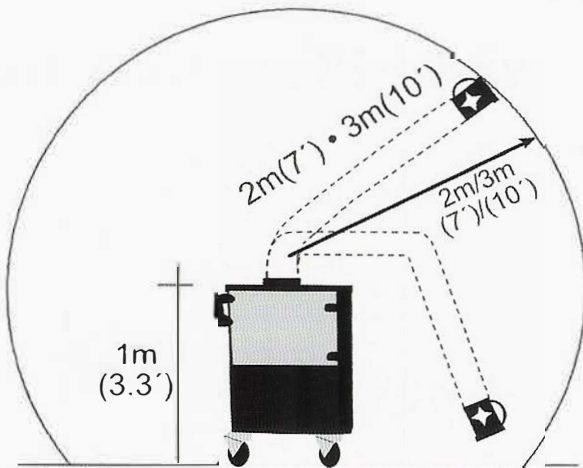
No Liquid



No Dirt



Not Outdoors



- (GB) Circuit breaker with thermal overload
- (D) Geräteschutzschalter mit thermischem Überstromschutz
- (F) Disjoncteur pour équipement à surcharge thermique
- (E) Disyuntor por sobrecarga térmica
- (I) Interruttore termico di protezione dal sovraccarico
- (NL) Uitschakelaar met thermische beveiliging tegen overstroom
- (SF) Virtapiirikatkaisimien lämpöylikuormitus
- (S) Strömbrytare med termiskt överströmsskydd



Declaration of conformity

We, J. Plymoth AB, declare under our sole responsibility that the product lines **MF-F9/HEPA, MF-Active Carbon, MF-Eco/F9, MF-Eco/HEPA, MF-Filter-Tables, MF-Eco Filter-Tables, FK-Mesa Backdraft Filter-Tables, MKF Filter-Tables, Labbe, MF-Lab, MF-Eco Lab, CF Central Filters, Mobo-Oil, Denta-Flex, Fica-Flex and VBF-Office** to which this declaration relates is in conformity with Directives 2006/42/EC, 2014/30/EU, 2011/65/EU and Standards EN 60204-1:2006, EN ISO 12100:2010, EN ISO 15012-1:2013, EN 61000-6-2005, EN 61000-6-3:2007, EN ISO 20607:2019.

J. Plymoth AB
Traryds Allen 4D
28772 Traryd


Jenny Nilsson
Verkställande Direktör

2023-01-01