

Technical Data

MF-ECO F9 Jet-Pulse. Mobile Extractor-Filter with Compressed Air Cleaning.

Welding Fume and Dust

MF-Eco F9 Jet-Pulse is a Mobile Extractor- Filter with F9 filter cartridge, built in Jet-Pulse Cleaning system and aluminium impeller

No expensive replacement filters needed!

Over 1.000m³/h through the hood.

The economical solution for light welding fume and light dust.

Jet Pulse Cleaning

The F9 cartridge filter has over 99% efficiency.

When the filter is full, you connect MF-Eco to compressed air with the included hose. You clean it in a few minutes with the built in Jet-Pulse System.

Then open the door and empty the dust bin.

Ready to use again!



Flexible and economical

MF-Eco F9 Jet-Pulse is robust, yet the easily manoeuvrable 4 pivoting wheels with brakes make for effortless transportation. Add to this the super-flexible Flexi Extraction Arm, and you have a supremely versatile and efficient filtration unit. It can easily be moved between different work stations.

	Art. No.
MF-Eco F9 Jet-Pulse Mobile Extractor-Filter. 1~/1.1kW/220V/50Hz. Extraction Arm not incl.	P-540
MF-Eco F9 Jet-Pulse Mobile Extractor-Filter 3~/1.1kW/400V/50Hz. Extraction Arm not incl.	P-543
Flexi Table/Filter Extraction Arm FLB 2m/d.160mm	P-168
Flexi Table/Filter Extraction Arm FLB 3m/d.160mm	P-169
F9 Replacement Filter Cartridge (9m ²)	P-541
Holder for 2 Flexi Extraction Arms d.160mm (max. 3m)	P-086
Flexi Table/Filter Extraction Arm FLB 2m / d.200mm	P-170
Flexi Table/Filter Extraction Arm FLB 3m / d.200mm	P-171

MF-Eco F9 Measures.



Techical Data		
Volt/Phase	230 Volt / 1~	400 Volt / 3~
KW	1.1 kW	1.1 kW
Ampere	6.53 A	2.3 A
Revolutions/minute	2.900 R/min	
Frequency	50Hz	
	IP 55	
Weight	70 kg	
Filter	Filter Cartridge F9 (9m ²)	
Extra Equipment HEPA Filter	HEPA H13 Filter Box (9m ²)	
Efficiency	>99 % (HEPA 99.95%)	
Noice level (DIN 45635 T1)	ca. 70 dB(A)	
Indoor temperature	+5° C bis +35° C	

MF-Eco F9.

Operating Instructions

The filter unit is only intended for indoor use. It shall be equipped with an Extraction Arm which covers a radius of two or three meters. In order to achieve a maximum collection level of air pollutants, the extraction unit's hood shall be positioned as close to the pollution source as possible without extracting sparks.

The filter unit is designed for extraction and filtration of light welding fume.

If it is equipped with a HEPA Filter Box (To be ordered separately) it can also be used for light stainless steel welding fume. Can also be used for light grinding dust, etc. *Note that the unit is not to be used for extraction of fluids or Gases.*

Before use, check the voltage and frequency on the product's rating plate before it is connected to the power supply. All four of the wheels on the filter unit are pivoting and with brakes which makes it very easy to move even in difficult positions. The brakes make it stay where you leave it even when you move the Extraction-Arm.

Warning! Risk of personal Injury.

1. Do not use the filter for separation of dust that contains substances hazardous to one's health, e.g beryllium, cadmium, lead or asbestos.
2. Check that the mains connecting cable not is squeezed or in another way damaged. At cable replacement a Plymoth original spare part cable shall be used.

Risk of fire and explosion

Do not use the filter for inflammable dust or explosive gases.



JET-Pulse Cleaning System

The **Jet-Pulse cleaning** system is developed in the United states for cleaning of filter cartridges. It is better than ordinary "Back-Pulse" cleaning systems. The **Jet-Pulse cleaning** is faster and more efficient.

The heart of the **Jet-Pulse cleaning** system is a specially designed oscillating rubber nozzle. It is oscillating under 6 Bar compressed air pressure inside the filter cartridge. It is hammering the inside of the filter cartridge so that dust on the surface is falling off. At the same time it is blowing out the fine dust which has penetrated the surface of the filter cartridge. The result is a cartridge as clean as new.

Explosion safety.

To minimise the risk of explosions in a filter unit many countries have now laws saying you have to empty the dust bin after every cleaning. The Plymoth filter units with built in **Jet-Pulse Cleaning** systems have all a lightweight dustbin which is very handy and fast to empty after the cleaning process.

As an extra safety feature all Plymoth Filter units have the electrical parts outside the unit to avoid that electricity gets in contact with dust or gas.

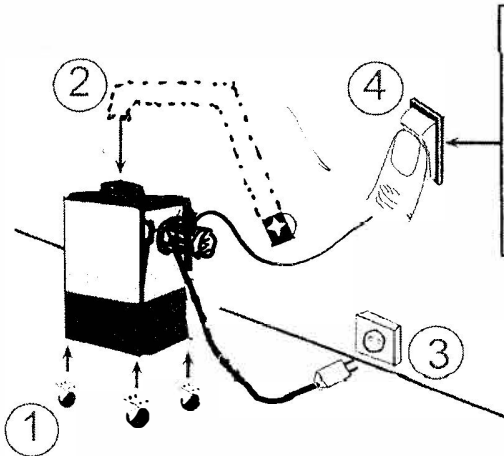
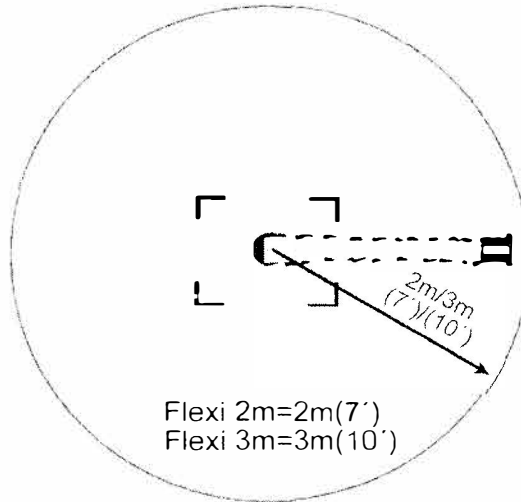
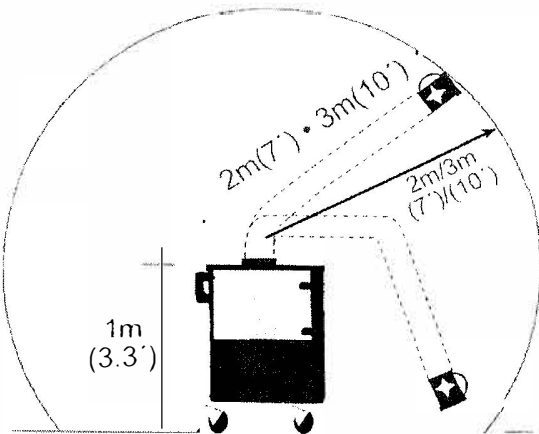
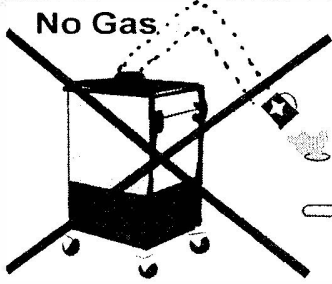
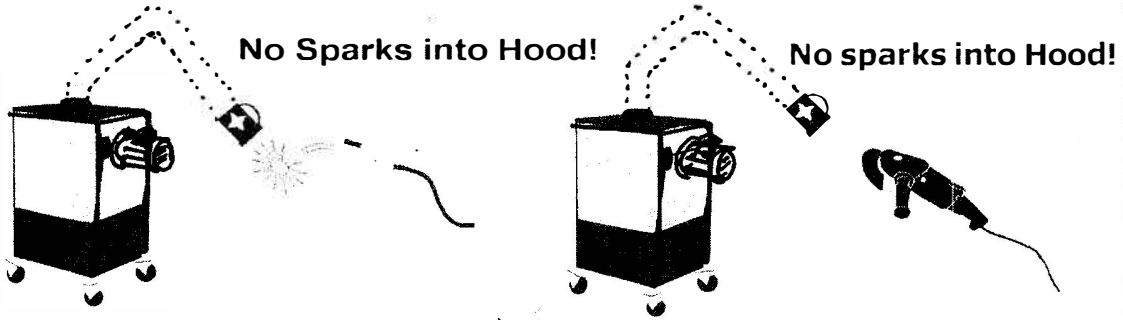
State of the art Hood design.

All Plymoth extractor arms are equipped with state of the art inlet hoods to optimize its ability to catch smoke and dust as far from the hood as possible.

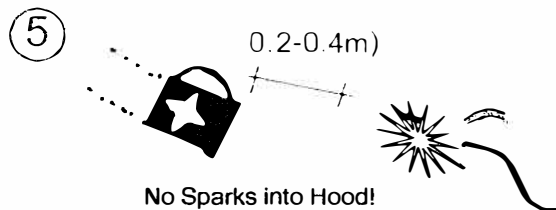
Field of Operation.

The MF-Eco and WF-Eco units are dust collectors for collecting dust, welding smoke and other dry pollutants.

MF-Eco F9



- (GB) Circuit breaker with thermal overload
- (D) Geräteschutzschalter mit thermischem Überstromschutz
- (F) Disjoncteur pour équipement à surcharge thermique
- (E) Disyuntor por sobrecarga térmica
- (I) Interruttore termico di protezione dal sovraccarico
- (NL) Uitschakelaar met thermische beveiliging tegen overstroom
- (SF) Virtapiirikatkaisimien lämpöylkuormitus
- (S) Strömbrytare med termiskt överströmsskydd





Declaration of conformity

We, J. Plymoth AB, declare under our sole responsibility that the product lines **MF-F9/HEPA, MF-Active Carbon, MF-HEPA/W3 18M2, MF-Eco/F9, MF-Eco/HEPA, MF-Filter-Tables, MF-Eco Filter-Tables, FK-Mesa Backdraft Filter-Tables, MKF Filter-Tables, Labbe, MF-Lab, MF-Eco Lab, CF Central Filters, Mobo-Oil, Denta-Flex, Fica-Flex and VBF-Office** to which this declaration relates is in conformity with Directives 2006/42/EC, 2014/30/EU, 2011/65/EU and Standards EN 60204-1:2006, EN ISO 12100:2010, EN ISO 15012-1:2013, EN 61000-6-2:2005, EN 61000-6-3:2007, EN ISO 20607:2019.

J. Plymoth AB
Traryds Allen 4D
28772 Traryd


Jenny Nilsson
Verkställande Direktör

2023-01-01