

**ORIGINAL<sup>®</sup>**  
**Plymoth**

# User Manual

***Chemikus: Bench Top***

***and***

***Wall/Ceiling***

***1m, 1.3m and 1.6m.***

**Dia. 75mm/100mm.**



**Chemikus Bench Top**



**Chemikus Wall/Ceiling**

# **List of Contents**

- 1. User regulations**
- 2. Safety**
- 3. User instructions**
- 4. Installation Instructions**
- 5. Spare parts**
- 6. Maintenance**
- 7. Declaration of Conformity**

## 1. User regulations.

The Chemikus Extraction-Arms are designed to extract fume and gases. The the Bench-Top and Wall/ceiling models have a swivel which allows the Arm to be rotated 360 degrees.

The flame-proof flexible hose, with covered steel spiral, has a parallelogram system outside to balance the hose and hood. This makes the Hood extremely easy to move to a new position and it stays there. Nothing inside the Hose! Free flow and low pressure drop.

The Bench Top models can be mounted on top of a table, with a hole through the table. It can also be mounted on the side of a table with the included table bracket.

The Wall/Ceiling models can be mounted on a wall with the included wallbracket or in the ceiling with just the swivel.

On the plastic extraction-arms you need to loosen the friction joints, move the arm, and then tighten the joints again. It is often not done and the hood stays too far away from the pollution source. The polluted air will not be caught before it is inhaled.

The Chemikus Steel Hood is black painted and can be turned 90 degrees in all directions. It can easily be positioned at any point within the working area. The Flexa Extraction-Arms can also be equipped with a dome formed transparent hood (Extra Equipment).

The Chemikus Extraction-Arms can be connected to a separate Filter-Unit "Labbe 400(P-947)" for 1-3 Arms or "MF-LAB/CF-HEPA (P-965/966)" for 4-8 Arms. Chemikus can also be connected to a central fan system. Max allowed vacuum is 700Pa.

Max temperature of the exhausted air is 70 Degrees Celsius.

Recomended airflow for d.75mm Arms is 100-175m<sup>3</sup>/h.  
Recomended airflow for d.100mm Arms is 200-400m<sup>3</sup>/h.

## **2. Safety.**

The product is designed to meet the requirements of the relevant EC directives. To maintain this status all installations, repair and maintenance work must be carried out by qualified personnel using only original spare parts. Contact your nearest authorised dealer for advise

**WARNING ! Ignition risk for some dust or solvents!**

**Check that no Objects which can cause fire are sucked into the arm.  
Avoid impacts against hood.**

## **3. User Instruction.**

Chemikus Extraction-Arms are designed for capturing dust, fumes and gases and the Hood can easily be positioned at any point within the working area.

For the best capturing efficiency, the hood should be positioned as near the fume or dust generating process as possible, but without sucking in sparks.

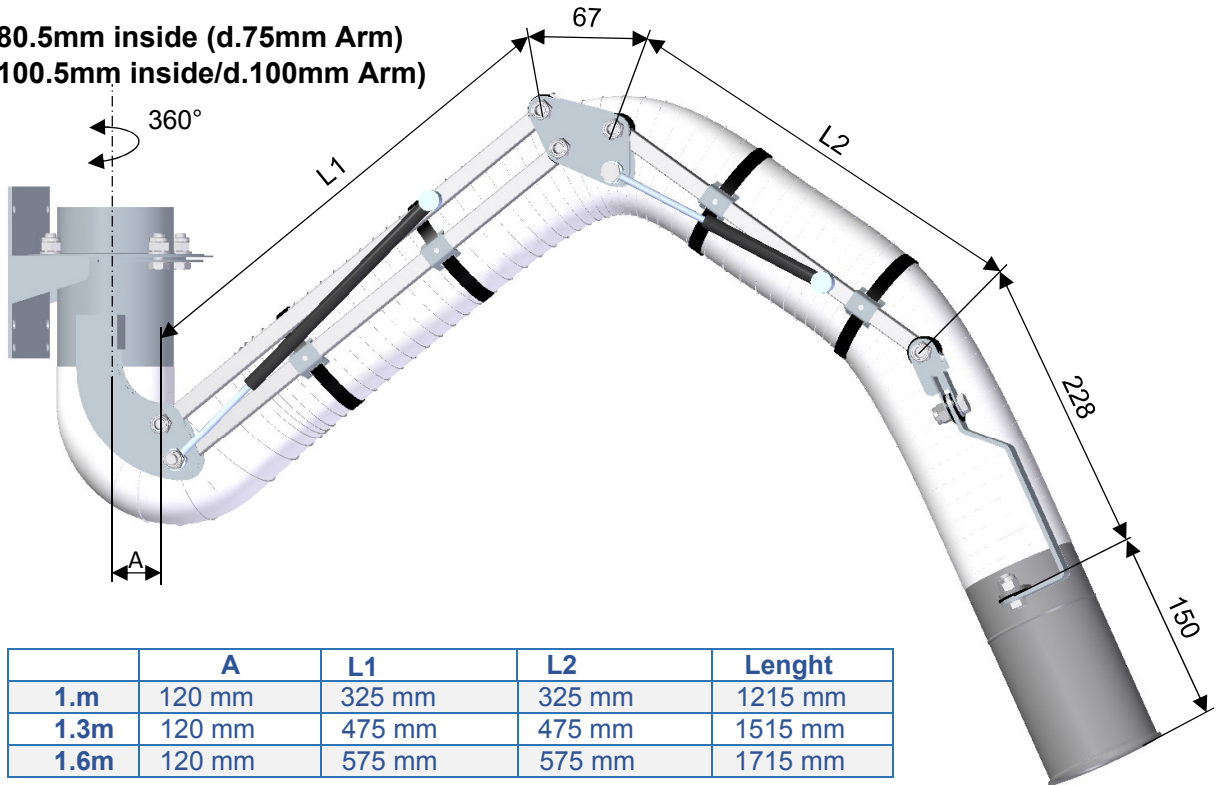
Always dimension your systems so the airflow is sufficient for the application in question.

Recommended airflow for Chemikus Extraction-Arms is 100-175m<sup>3</sup>/h for dia.75mm and 200-400m<sup>3</sup>/h for dia.100mm.

## 4. Installation instructions.

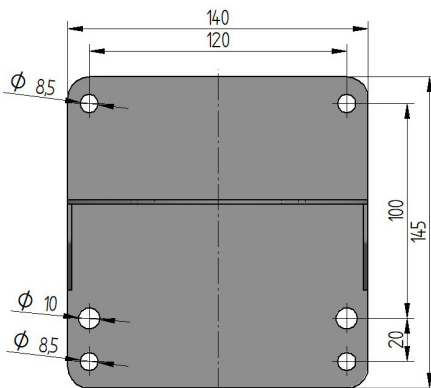
### Chemikus Extraction-Arms dia. 75mm and 100mm.

Dia.80.5mm inside (d.75mm Arm)  
Dia.100.5mm inside/d.100mm Arm)

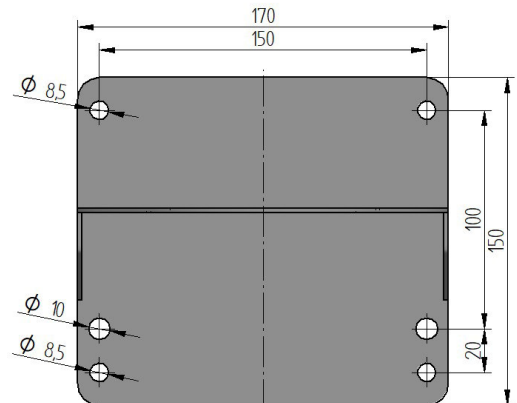


	A	L1	L2	Length
1.m	120 mm	325 mm	325 mm	1215 mm
1.3m	120 mm	475 mm	475 mm	1515 mm
1.6m	120 mm	575 mm	575 mm	1715 mm

**Wallbracket for d.75mm Arm**



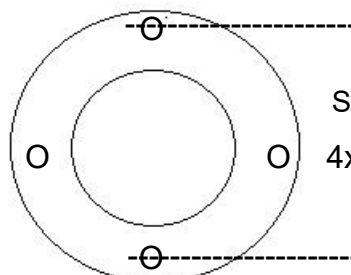
**Wallbracket for d.100mm Arm**



**Swivel Plate for mounting on Table or in Ceiling.** Is part of the included Wallbracket. Drill a hole 80mm(d.75mm Arm) or 100mm(d.100mm Arm). Use 4 M8 bolts long enough to reach trough the table or Ceiling to fasten the swivel and then attach the inlet on the other side on the bolts. Inside measure of outlet is:

80.5mm(d.75mm Arm).

100.5mm(d.100mm Arm).



Swivel d.153mm

4x8.5mm Holes. C/c 138mm.

**Pressure Drop.**  
**Chemikus: Bench top and Wall/Ceiling Extraction-Arms.**

**Ø 75mm.**

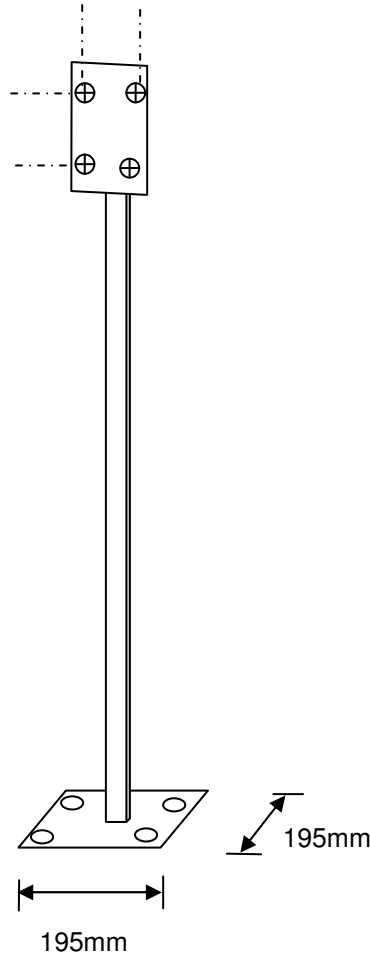
<b>Extraction-Arm</b>	<b>100m<sup>3</sup>/h</b>	<b>125m<sup>3</sup>/h</b>	<b>150m<sup>3</sup>/h</b>	<b>175m<sup>3</sup>/h</b>
<b>1m Ø 75mm</b>	125 Pa	175 Pa	225Pa	350 Pa
<b>1.3m Ø 75mm</b>	135 Pa	190 Pa	245 Pa	380 Pa
<b>1.6m Ø 75mm</b>	145 Pa	210Pa	270Pa	420 Pa

**Ø 100mm.**

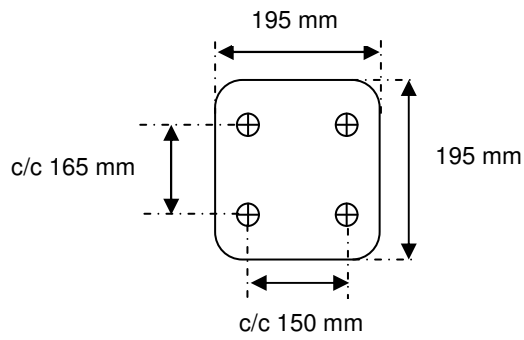
<b>Extraction-Arm</b>	<b>200m<sup>3</sup>/h</b>	<b>250 m<sup>3</sup>/h</b>	<b>325 m<sup>3</sup>/h</b>	<b>400 m<sup>3</sup>/h</b>
<b>1m Ø 100mm</b>	150 Pa	190 Pa	300 Pa	425 Pa
<b>1.3m Ø 100mm</b>	160 Pa	205 Pa	320 Pa	460 Pa
<b>1.6m Ø 100mm</b>	170Pa	230Pa	340 Pa	490 Pa

# Ceiling and Floor Columns for Flexa/Chemikus/Flexi Extraction-Arms.

**Wallbracket**

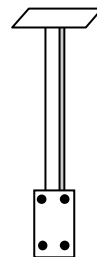


**Floor/Ceiling  
Foot Plate**



Height	Artikel No.
0,5m	P-427
0,75m	P-428
1,0m	P-021
1,25m	P-429
1,5m	P-430
1,75m	P-431
2,0m	P-022
2,25m	P-432
2,5m	P-433

**For Ceiling.**



## 5. Spare parts.

Spare parts **Chemikus Ø 75/100mm.**

Only use original Spare parts to maintain the status of the installation.



## **6. Maintenance**

We recommend regular safety controls at least once a year on the following points: Control the bolts of the wallbracket.

Control the hose, no damages etc.

Control bakelite washers and Bolts. See below.

Control the airvolume.

## 7. Declaration of conformity

We, J. Plymoth AB, declare under our sole responsibility that the product lines **Flexa, Chemikus, Flexi, Super-Max and Super-Vac** to which this declaration relates is in conformity with Directives 2006/42/EC and Standards EN ISO 12100:2010 and EN ISO20607;2019.

J. Plymoth AB  
Traryds Allen 4D  
28772 Traryd



Jenny Nilsson  
Verkställande Direktör

2023-01-01