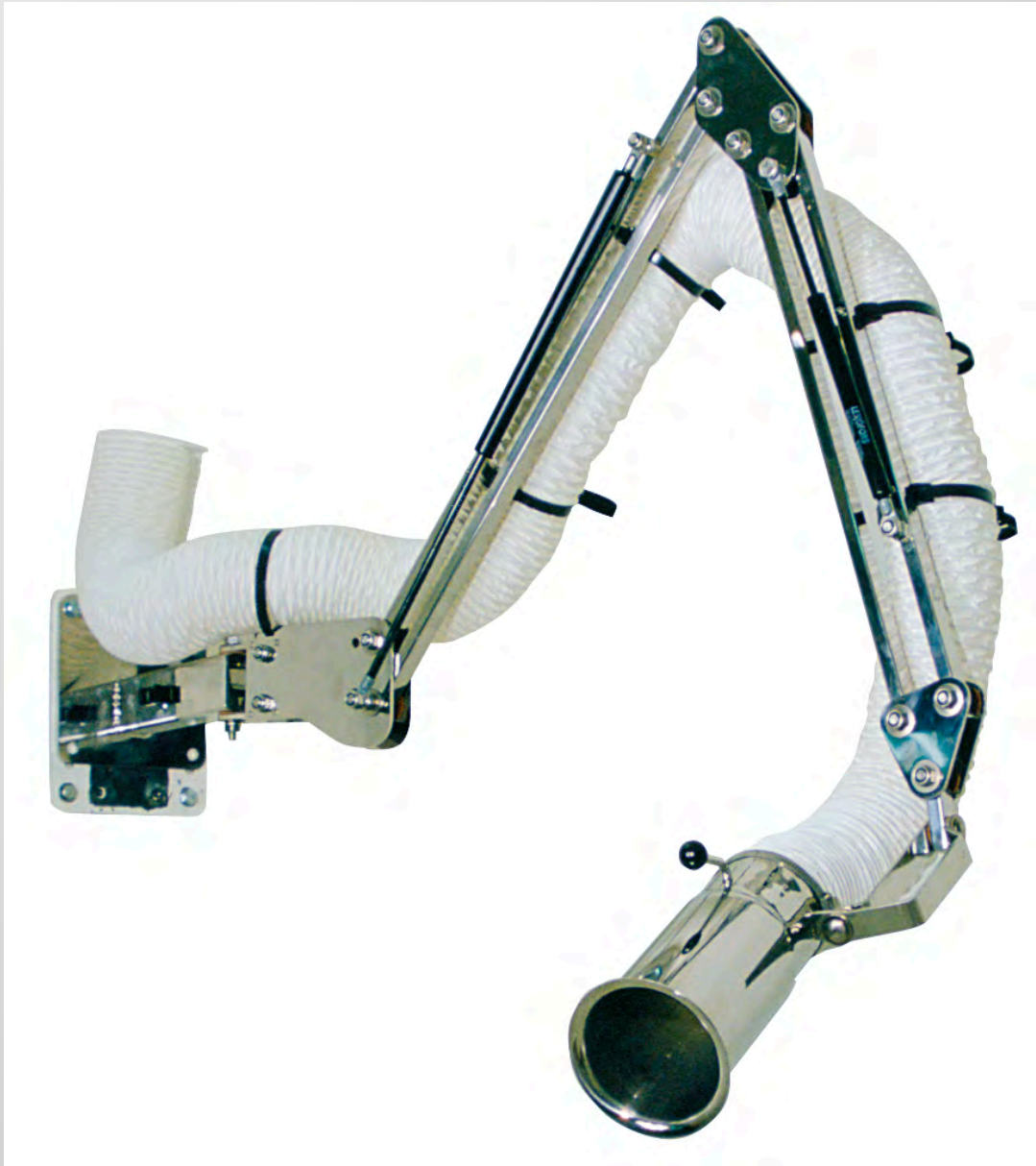


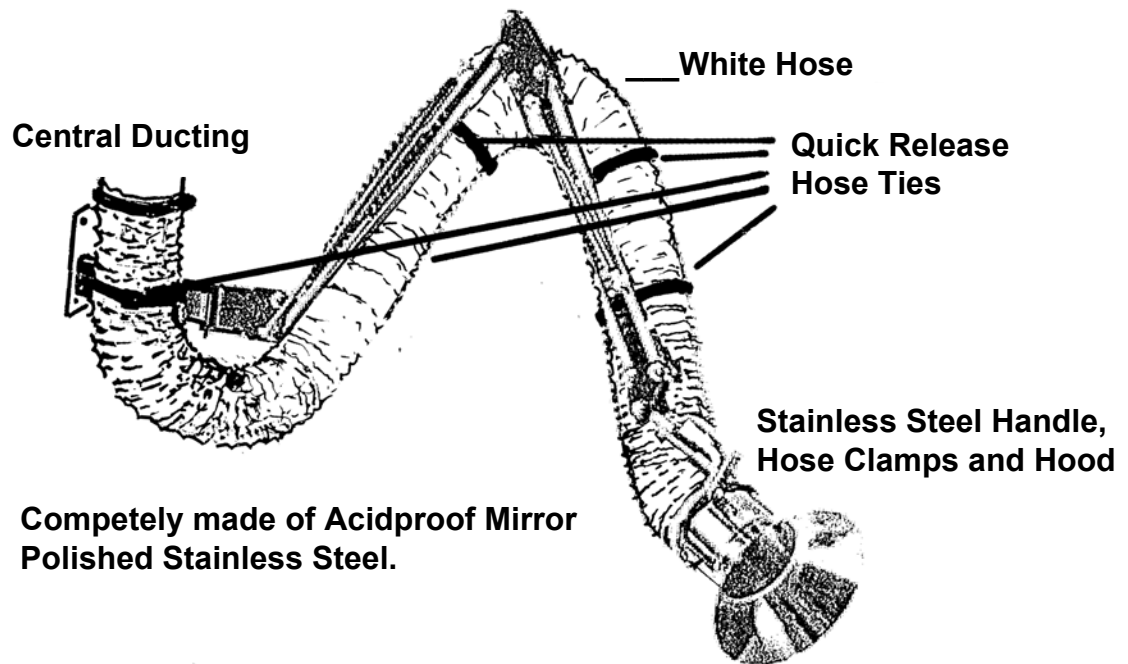
***Technical Data.**



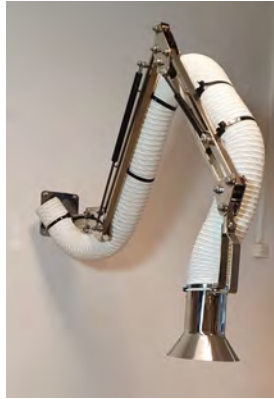
Super-M Extraction-Arm dia. 110mm.

- **Extraction-Arm for use in Chemical, Pharma and Food Industry.**
- **Completely made of Acid Proof Mirror Polished Stainless Steel.**
- **Perfect for extracting Dust, Fume and Gases before it is inhaled.**
- **Parallelogram-Arms and Gas Springs outside. Free Flow in the Hose.**
- **Extremely easy to move and stays in position.**
- **Models: 1.5m/2m/2.2m/2.5m/3m and 4m.**
- **Hoods for dia. 110mm: Straight Hood or 67° Hood or 150° Hood.**
- **Suitable to use by Controlling, Measuring, Weighing, Filling, Blending, Mixing, Emptying, Packaging and similar work situations.**

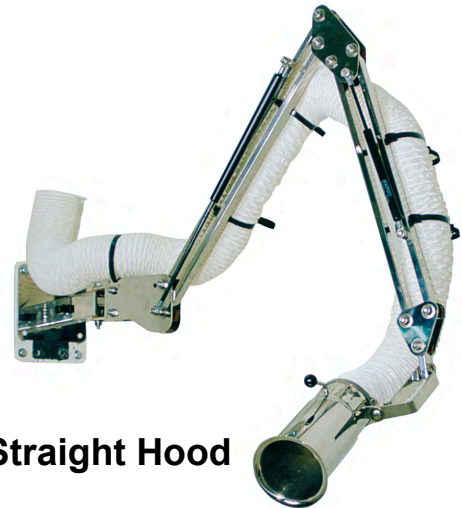
Unit Description Super-M dia.110mm.



Hood 150°



Hood 67°



Straight Hood

The Super-M Extraction-Arms are designed to extract fume, light dust and gases in corrosive environments.

The flexible PVC Hose, with covered steelspiral, is balanced by Parallelogram-Arms with Gas Springs. It makes the Hood Extremely easy to move and it stays in position.

Free flow in the hose gives lower pressure drop and less maintenance.

The Hood can be turned 90° in all directions. It is easy to position at any point within the working area.

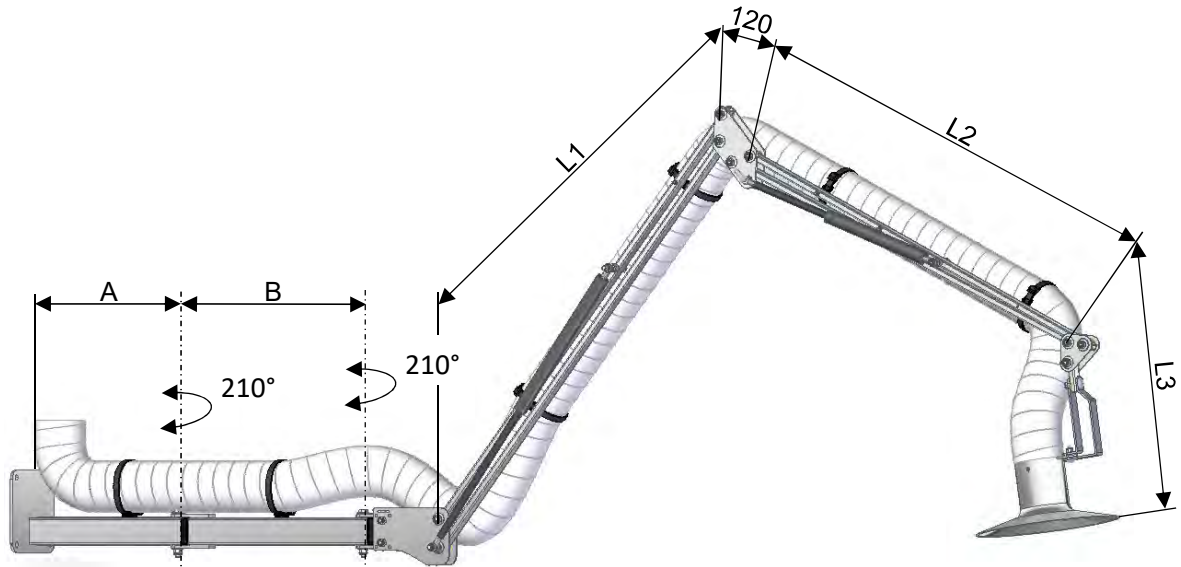
The Hood can be equipped with a Stainless Steel Damper (Accessory).

The Super-M Extraction-Arm shall be connected to a an exhaust system designed for the work situation. Max allowed vacuum is 1500Pa.

Recomended Airflow for dia.110mm Models is 400-700m³/h.

Measures (mm.).

Super-M dia.110mm Extraction-Arms.
1.5m/2m/2.2m/2.5m/3m and 4m Models.



Nozzles/Hoods

Ø110 -Straight

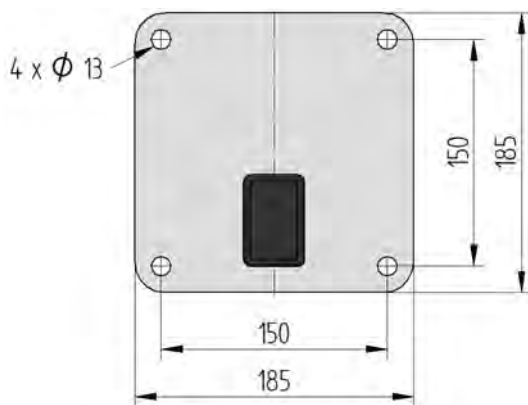


Ø110 - 67°



Important for All Super-M Models!
Each of the Wall Bolts must stand
a Traction Power of min. 1600N.

Wallbracket



Ø110 - 150°



| | A | B | L1 | L2 | L3 | Weight | Length |
|--------------|--------|--------|---------|--------|--------|--------|---------|
| 1,5 m | 250 mm | - | 435 mm | 335 mm | 480 mm | 14 kg | 1750 mm |
| 2,0 m | 500 mm | - | 435 mm | 335 mm | 480 mm | 15 kg | 2000 mm |
| 2,2 m | 250 mm | - | 665 mm | 565 mm | 480 mm | 17 kg | 2250 mm |
| 2,5 m | 500 mm | - | 665 mm | 565 mm | 480 mm | 18 kg | 2500 mm |
| 3,0 m | 500 mm | - | 1165 mm | 960 mm | 480 mm | 24 kg | 3350 mm |
| 4,0 m | 500 mm | 500 mm | 1165 mm | 960 mm | 480 mm | 27 kg | 3850 mm |

Pressure Drop: Super-M Extraction-Arms.

Ø 110mm Extraction-Arms.

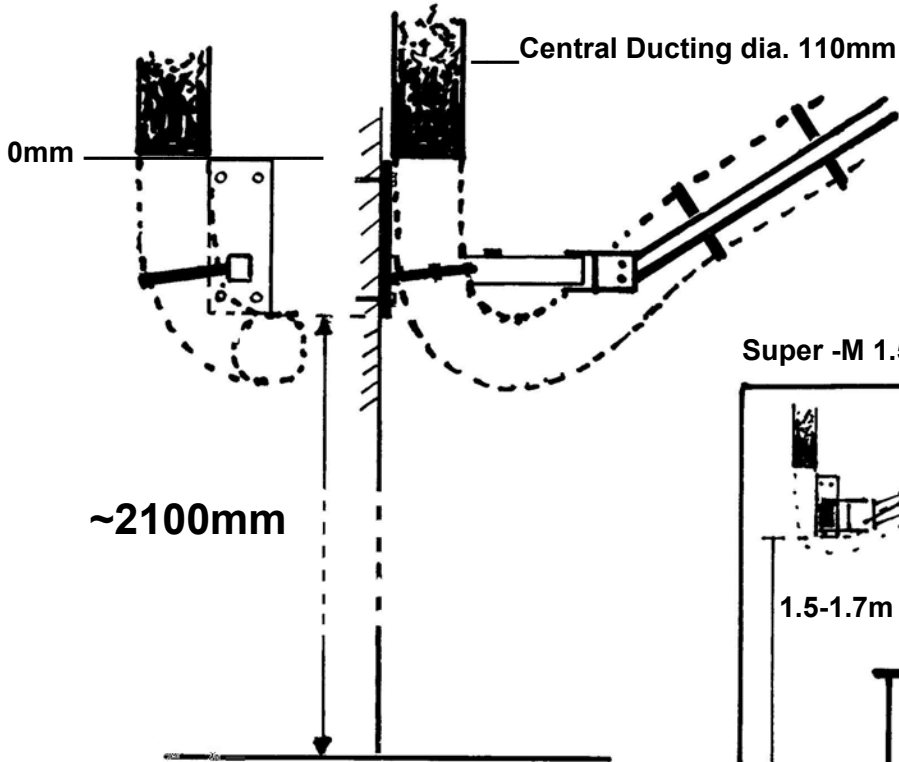
| Extraction-Arm | 400m ³ /h | 500m ³ /h | 600m ³ /h | 700m ³ /h |
|------------------|----------------------|----------------------|----------------------|----------------------|
| 1.5-2.5m Ø 110mm | 300 Pa | 450 Pa | 600 Pa | 750 Pa |
| 3m Ø 110mm | 325 Pa | 5000 Pa | 650 Pa | 825 Pa |
| 4m Ø 110mm | 375 Pa | 550 Pa | 700 Pa | 900 Pa |



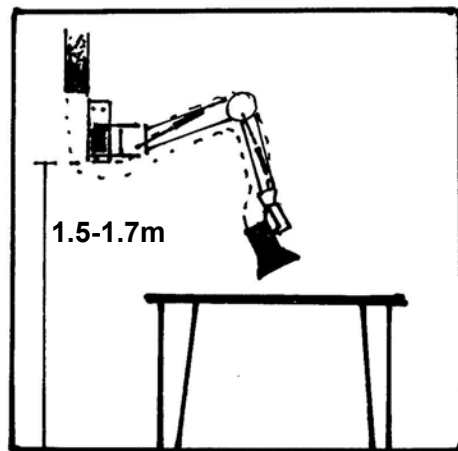
Installation Super-M dia.110mm.

Mounting Height and Connection of Hose to Central Ducting.

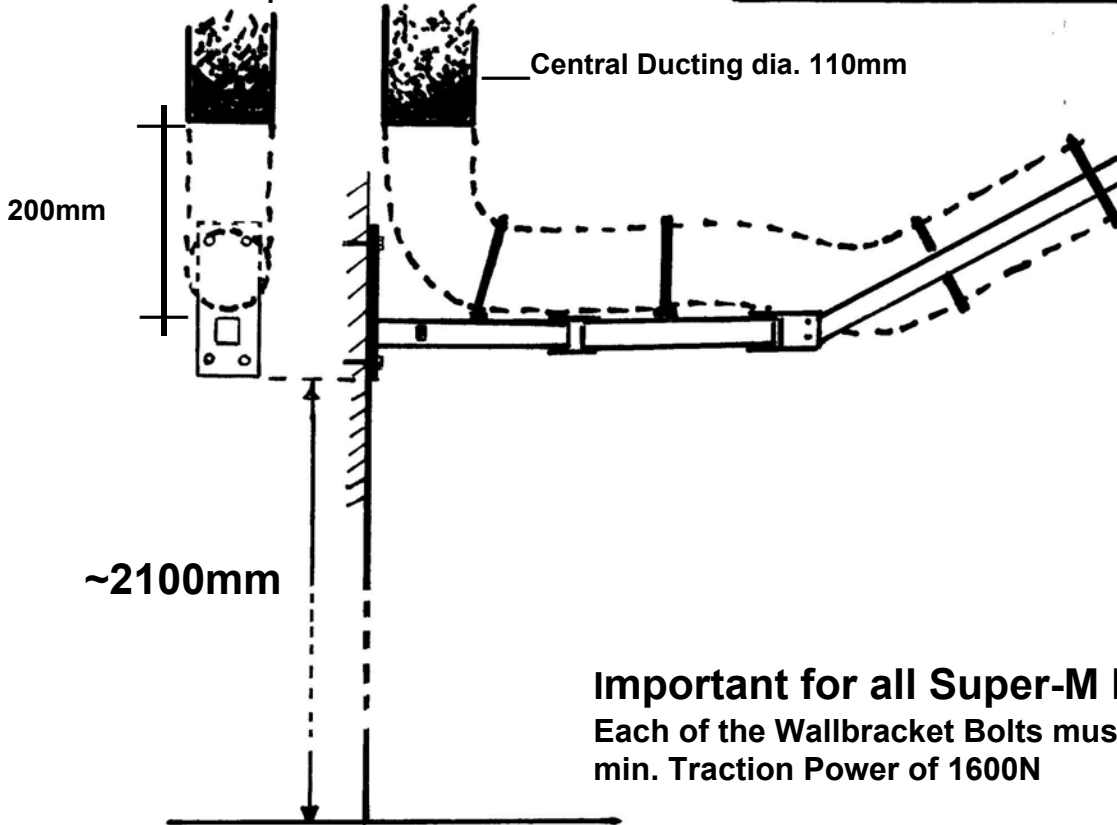
Super-M 2m/2.2m/2.5m and 3m



Super -M 1.5m dia.110mm



Super-M 4m

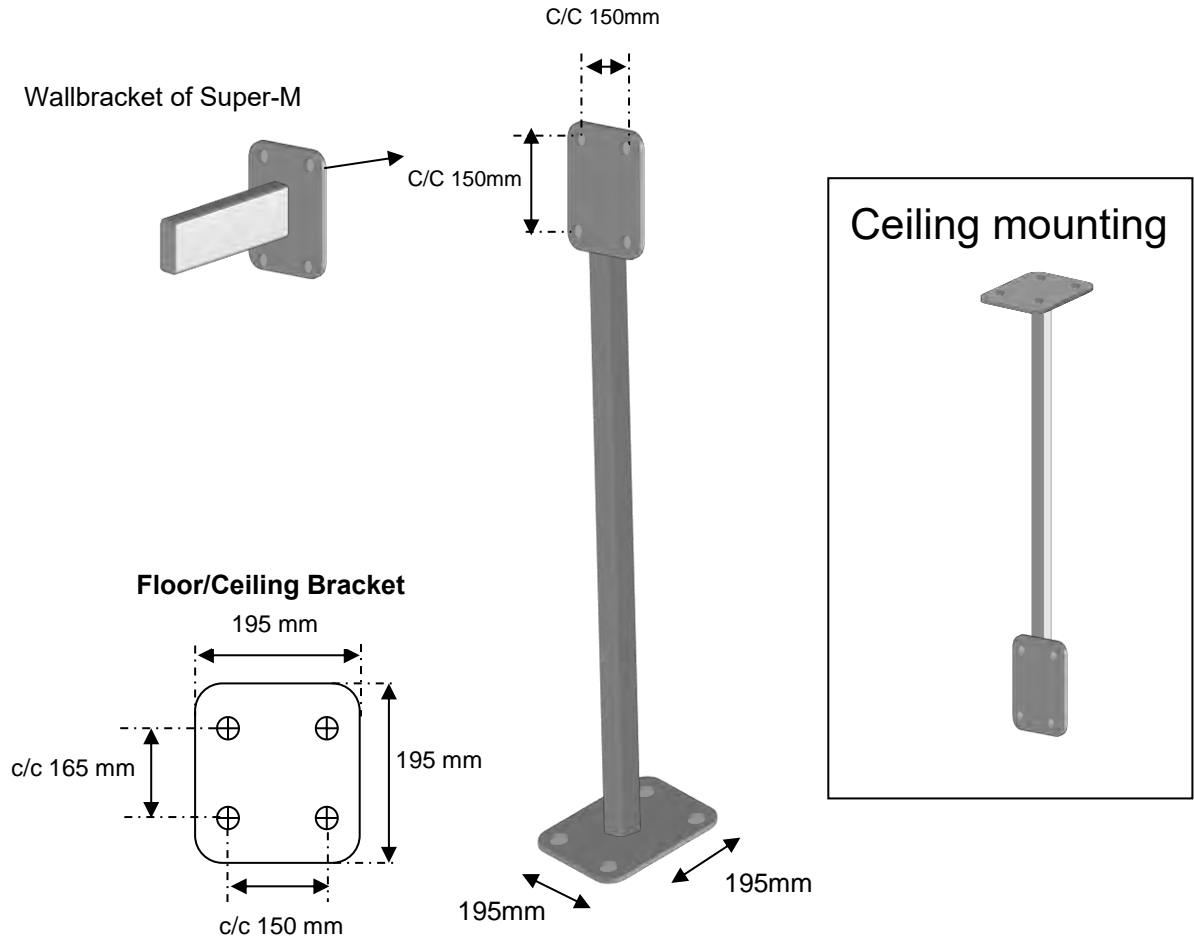


Important for all Super-M Models!

Each of the Wallbracket Bolts must stand a min. Traction Power of 1600N

Floor/Ceiling Stanchions of Acidproof Mirror Polished Stainless Steel (Accessory).

For Super-M Extraction-Arms. 1.5m/2m/2.2m/2.5m/3m/4m Length.
Stanchion Height 0.5m-2.5m



Acidproof Mirror Polished Stainless Steel Stanchions: Product No.

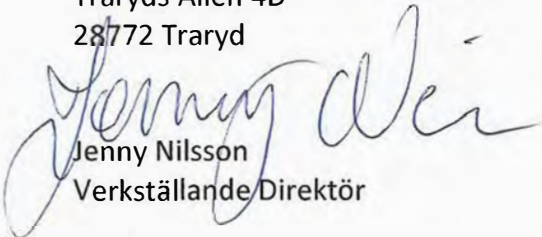
| Length | Art.-Nr. |
|--------|----------|
| 0,5m | P-999 |
| 0,75m | P-1000 |
| 1,0m | P-1001 |
| 1,25m | P-1002 |
| 1,5m | P-1003 |
| 1,75m | P-1004 |
| 2,0m | P-1005 |
| 2,25m | P-1006 |
| 2,5m | P-1007 |



Declaration of conformity

We, J. Plymoth AB, declare under our sole responsibility that the product lines **Flexa, Chemikus, Flexi, Super-Max, Super-P, Super-PM, Super-M and Super-Vac** to which this declaration relates is in conformity with Directives 2006/42/EC and Standards EN ISO 12100:2010 and EN ISO20607;2019.

J. Plymoth AB
Traryds Allen 4D
28772 Traryd


Jenny Nilsson
Verkställande Direktör

2023-01-01