

# \*Technical Data



## Super-PM Extraction-Arm

- Extraction-Arm for use in Chemical, Pharma and Food Industry.
- Hood and Handle of Acid Proof Mirror Polished Stainless Steel.
- All other Parts Electro Galvanized or Powder Painted.
- Parallelogram-Arms and Gas Springs. Free Flow in the Hose.
- Extremely easy to move and stays in position.
- Models: Dia. 110mm or 160mm. 1.5m/2m/2.2m/2.5m/3m and 4m.
- Dia. 110mm: Straight Hood or 67° Hood or 150° Hood.
- Dia. 160mm: 42° Hood.

## **Safety Notes**

The product is designed to meet the requirements of the relevant EC directives. To maintain this status all installations, repair and maintenance work must be carried out by qualified personnel using only original spare parts.

Contact your nearest authorized dealer for advise.

Use adequate safety clothing when cleaning the unit.

Check that no objects, which can cause problems, are sucked into the Extraction-Arm.

Avoid impacts against the Hood.

Apart from the general information given in our user manual it is necessary to perform a risk analysis for the particular work prodeses that are going to be done in each induvidual case.

**The final responsibility for safety can only be taken by the owner of the installation.**

## **Range of Application**

Super-PM Extraction-Arms are designed for being used in Pharma-, Food- and Chemical Industry by for example weighing, mixing, taking samples, examinations, experiments and so on.

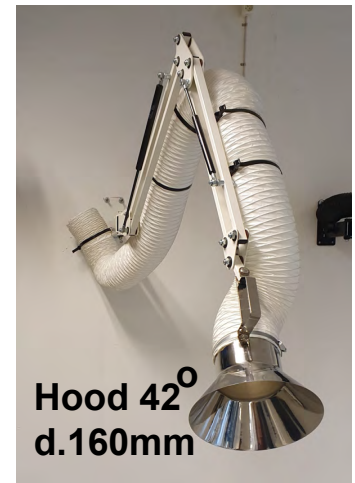
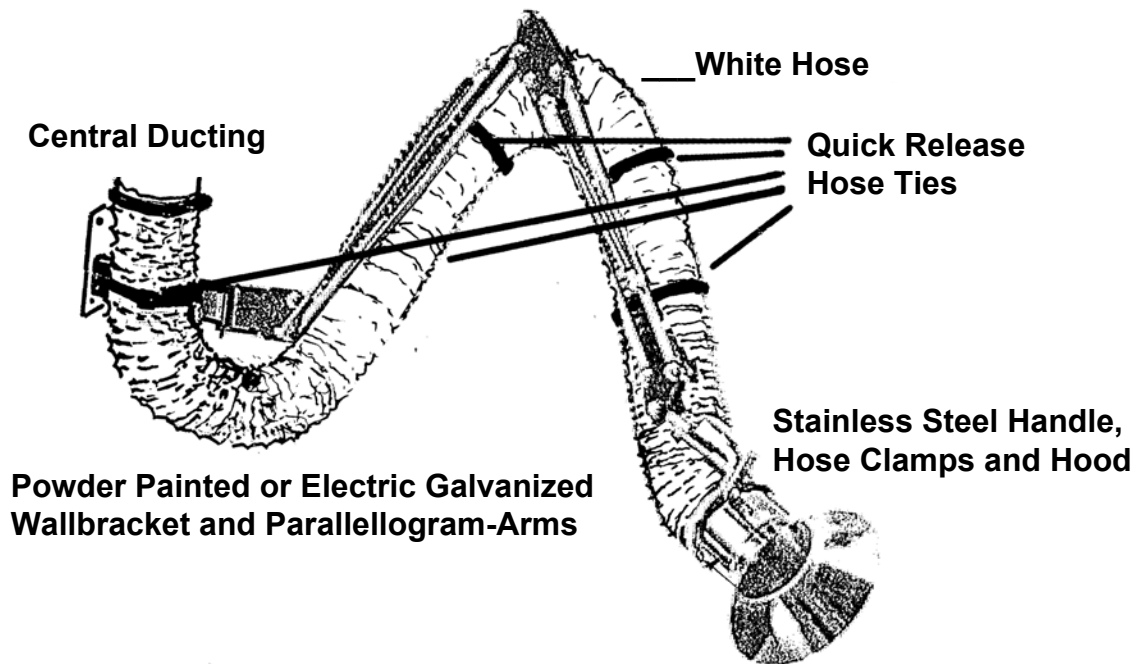
The Hood is easy to position at any point within the working area.

For the best capturing efficiency the hood should be positioned as near the contamination generating process as possible.

Always dimension your system so the airflow is sufficient for the application in question.

Be sure to follow local laws and regulations.

## Unit Description Super-PM.



**The Super-PM Extraction-Arms** with Stainless Steel Handle and Hood are designed to extract fume, light dust and gases in environments with Corrosion risks.

The flexible PVC Hose, with covered steelspiral, is balanced by Parallelogram-Arms with Gas Springs. It makes the Hood Extremely easy to move and it stays in position.

Free flow in the hose gives lower pressure drop and less maintenance.

The Hood can be turned 90° in all directions. It is easy to position at any point within the working area.

The Hood can be equipped with a Stainless Steel Damper (Accessory).

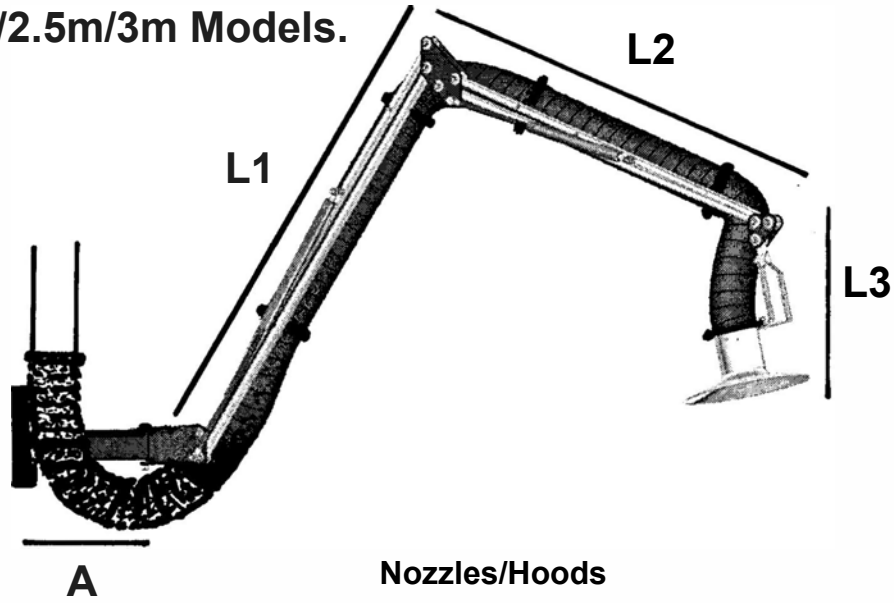
The Super PM Extraction-Arm shall be connect to a an exhaust system designed for the work situation. Max allowed vacuum is 1500Pa.

Recomended Airflow for dia.110mm Models is 400-700m<sup>3</sup>/h.

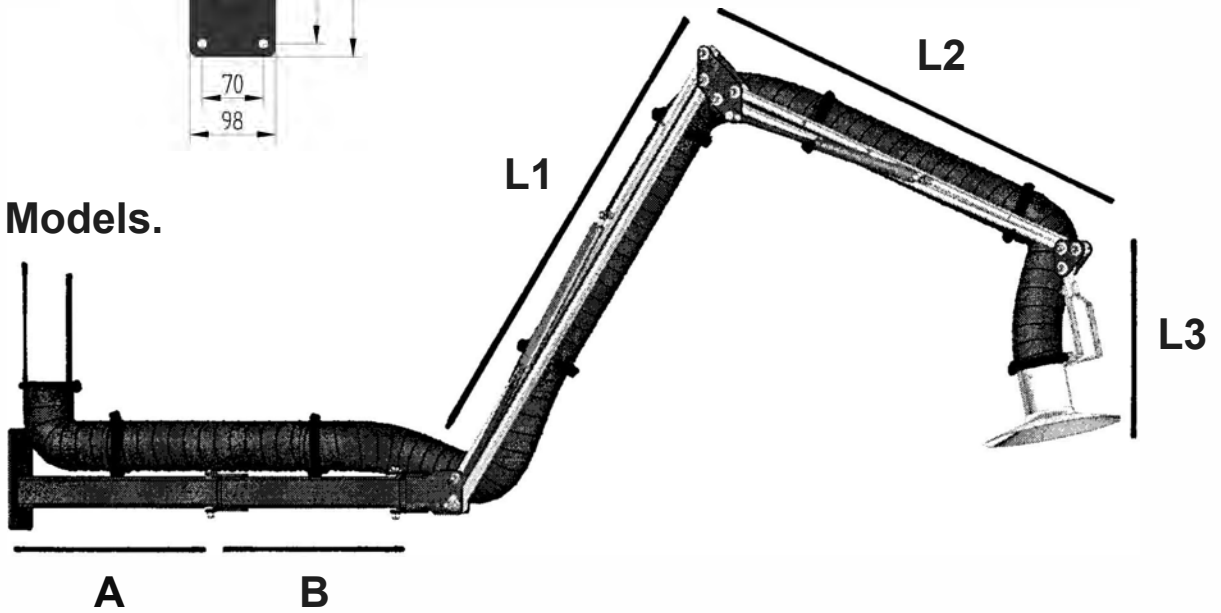
Recomended Airflow for dia.160mm Models is 700-1300m<sup>3</sup>/h.

**Measures (mm.) Super-PM. 1.5m, 2m, 2.2m, 2.5m, 3m and 4m.**

**1.5m/2m/2.2m/2.5m/3m Models.**



**4m Models.**



	A	B	L1	L2	L3	Weight	Total Length
1,5 m	250 mm	-	435 mm	335 mm	480 mm	14 kg	1750 mm
2,0 m	500 mm	-	435 mm	335 mm	480 mm	15 kg	2000 mm
2,2 m	250 mm	-	665 mm	565 mm	480 mm	17 kg	2250 mm
2,5 m	500 mm	-	665 mm	565 mm	480 mm	18 kg	2500 mm
3,0 m	500 mm	-	1165 mm	960 mm	480 mm	24 kg	3350 mm
4,0 m	500 mm	500 mm	1165 mm	960 mm	480 mm	27 kg	3850 mm

**Important for all Super-M Models! Each of the Wall Bolts must stand a min. Traction Power of 1600N.**

# Pressure Drop: Super-PM Extraction-Arms.

## Ø 110mm Extraction-Arms.

Extraction-Arm	400m <sup>3</sup> /h	500m <sup>3</sup> /h	600m <sup>3</sup> /h	700m <sup>3</sup> /h
1.5-2.5m Ø 110mm	300 Pa	450 Pa	600 Pa	750 Pa
3m Ø 110mm	325 Pa	500 Pa	650 Pa	825 Pa
4m Ø 110mm	375 Pa	550 Pa	700 Pa	900 Pa



## Ø 160mm Extraction-Arms.

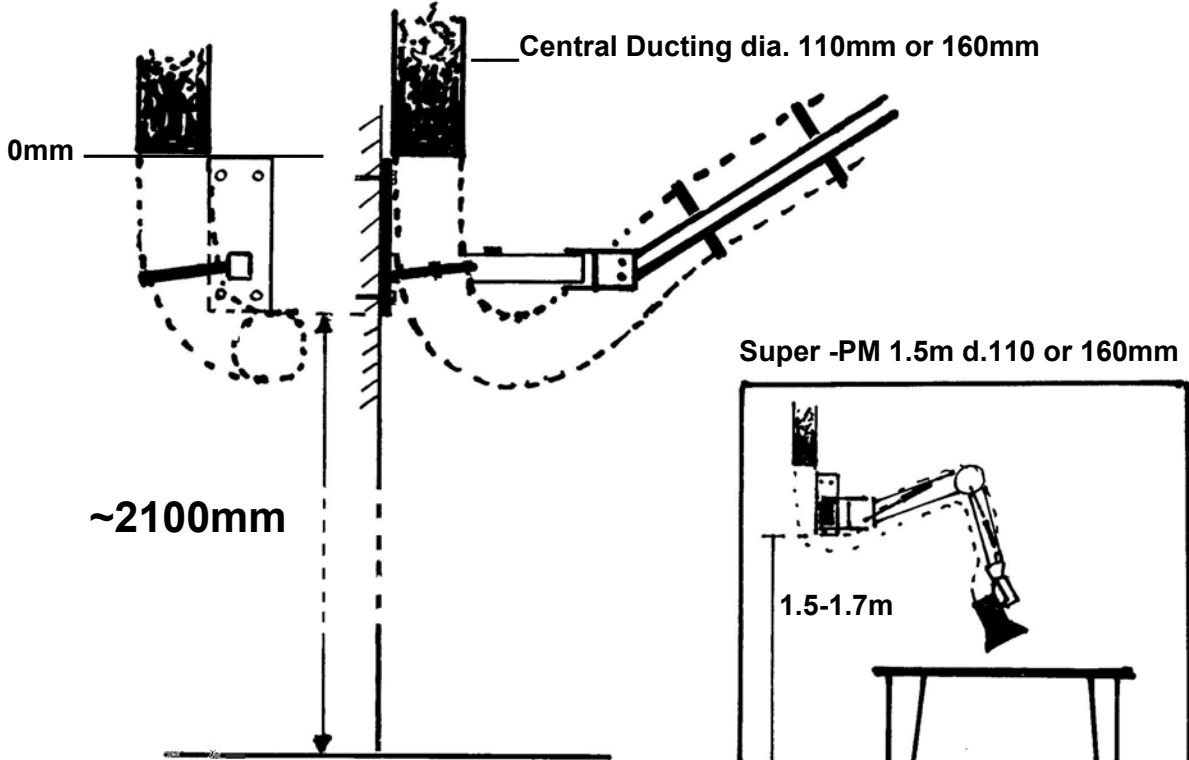
Extraction-Arm	700m <sup>3</sup> /h	1.000 m <sup>3</sup> /h	1.200 m <sup>3</sup> /h	1.300 m <sup>3</sup> /h
1.5-2.5m Ø 160mm	350 Pa	550 Pa	700 Pa	780 Pa
3m Ø 160mm	375 Pa	600 Pa	750 Pa	850 Pa
4m Ø 160mm	400 Pa	650 Pa	800 Pa	900 Pa



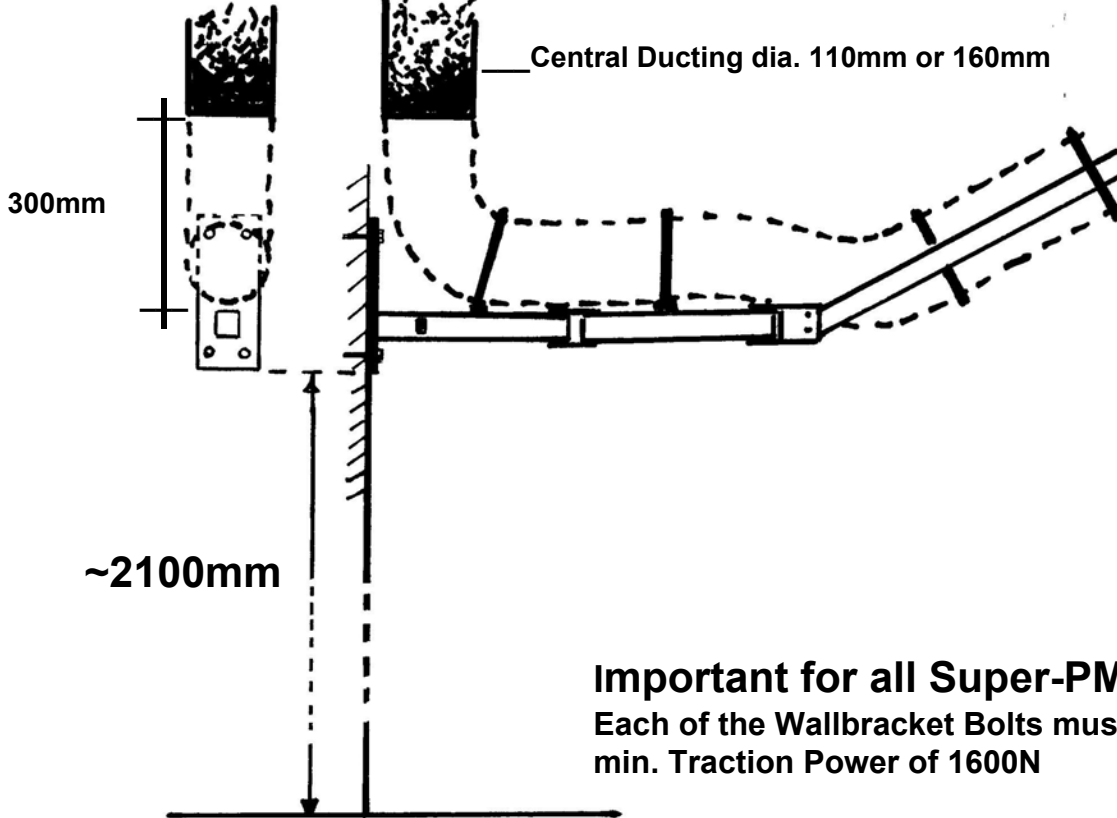
# 1.4 Installation.

## Mounting Height and Connection of Hose to Central Ducting.

Super-PM 2m/2.2m/2.5m and 3m



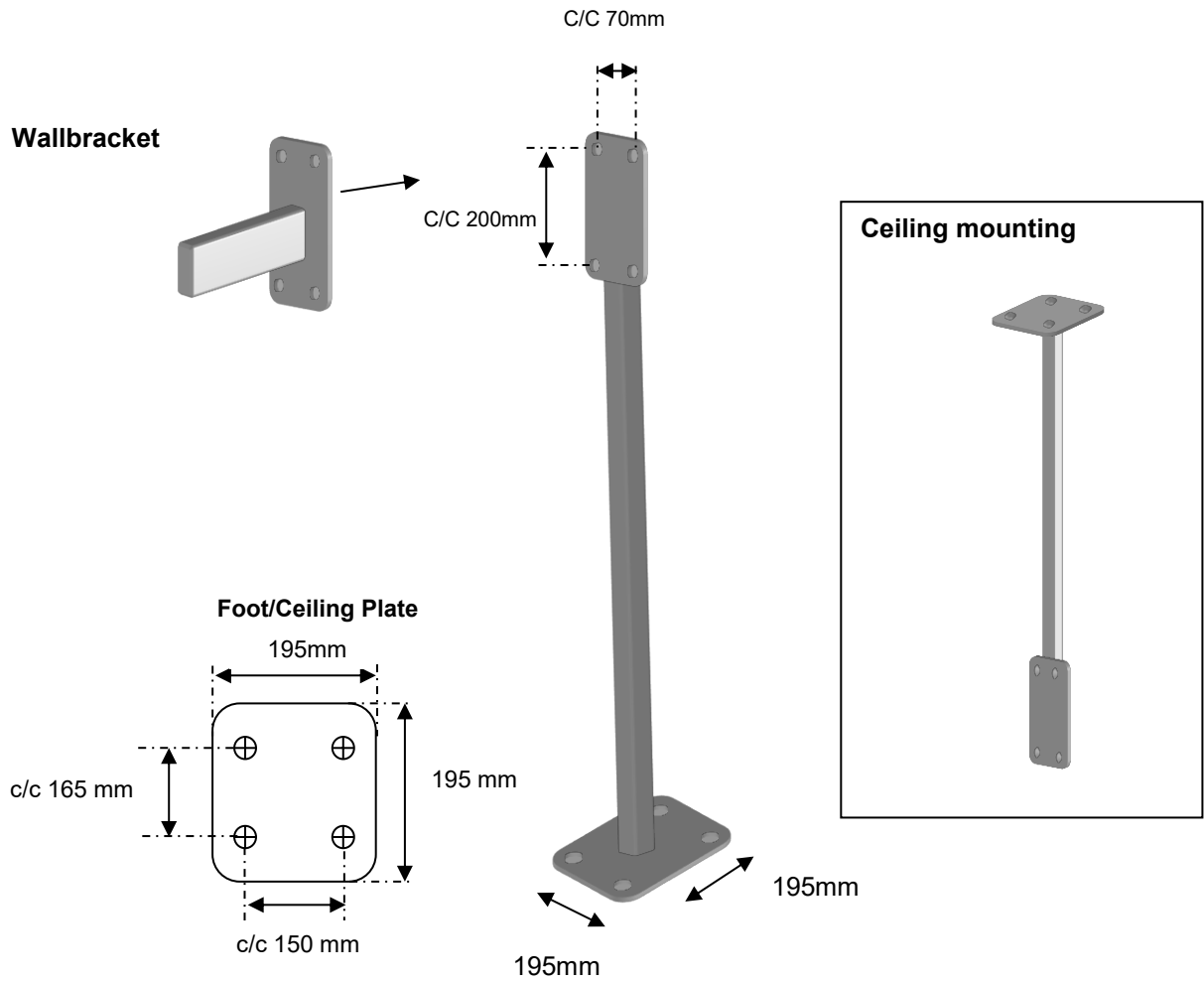
Super-PM 4m



**Important for all Super-PM Models!**

Each of the Wallbracket Bolts must stand a min. Traction Power of 1600N

# Floor/Ceiling Stanchion: Super-PM Extraction-Arms (Accessory). Made of Powder Painted Steel.



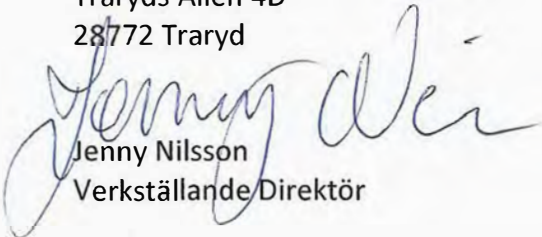
	Art.-Nr.
0,5m	P-434
0,75m	P-435
1,0m	P-083
1,25m	P-436
1,5m	P-437
1,75m	P-438
2,0m	P-084
2,25m	P-439
2,5m	P-440



### **Declaration of conformity**

We, J. Plymoth AB, declare under our sole responsibility that the product lines **Flexa, Chemikus, Flexi, Super-Max, Super-P, Super-PM and Super-Vac** to which this declaration relates is in conformity with Directives 2006/42/EC and Standards EN ISO 12100:2010 and EN ISO20607;2019.

J. Plymoth AB  
Traryds Allen 4D  
28772 Traryd

  
Jenny Nilsson  
Verkställande Direktör

2023-01-01