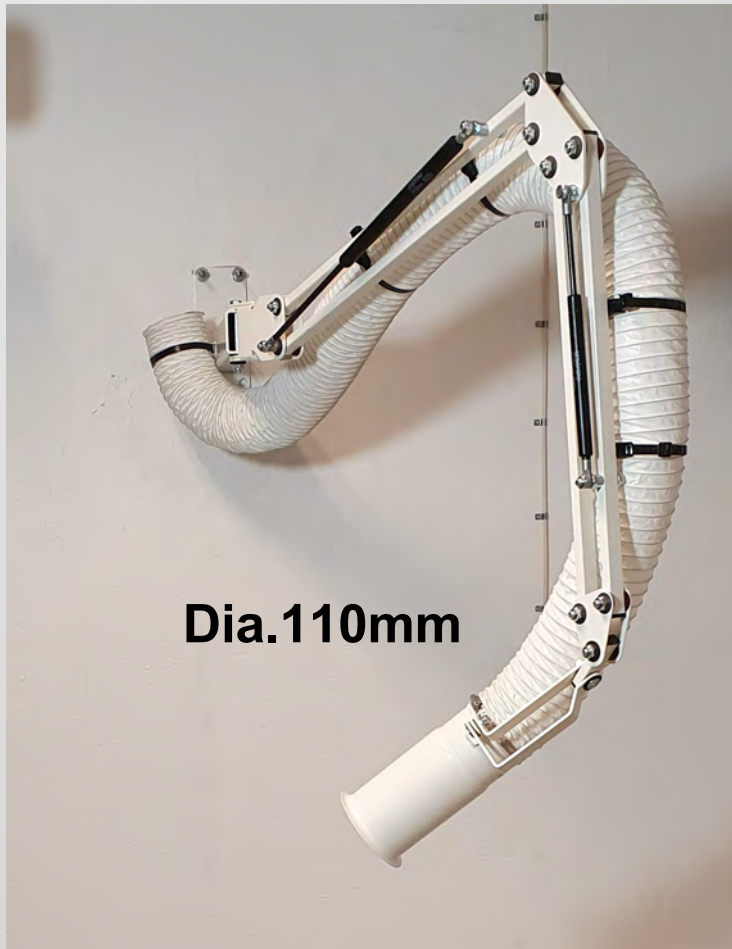


***Technical Data.**



Super-P Extraction-Arms dia.110mm or 160mm.

- Extraction-Arm for use in Chemical, Pharma and Food Industry.
- Hood, Handle, Friction Joints and Wallbracket Powder Painted.
- Parallelogram-Arms Electro Galvanized or Powder Painted.
- Free Flow in the Hose.
- Extremely easy to move and stays in position.
- Models: Dia. 110mm or 160mm. 1.5m/2m/2.2m/2.5m/3m and 4m.
- Dia. 110mm: Straight Hood or 67° Hood or 150° Hood.
- Dia. 160mm Straight Square Hood.

1.0 General Information Super-P Extraction-Arms. 1.5m, 2m, 2.2m, 2.5m, 3m and 4m Models. Dia.110mm/160mm.

Super-P Extraction-Arms have Powder Coated Handle and Hood to withstand Chemical Environments.

The Wallbracket, Parallelogram-Arms and Friction Joints are either Powder Coated or Electro Galvanized.

Smoke, Dust and Gases.

An Extraction-Arm extracts smoke, dust and gases directly at source, before contaminated air has spread in the premises and been inhaled. You will get better working environment, less wear and tear of the machines and lower cleaning costs.

Chemical-, Food- and Pharma Industry.

Super-P is made for use by controlling, measuring, weighing, filling, blending, mixing, emptying, packaging and similar activities

The Hood is the Secret behind the efficiency

The dia.110 mm hoods are developed in cooperation with one of the biggest companies in the chemical industry. The straight hood is for dust. The 67° hood is for smoke and the 150° hood is for gases. The 150° hood develops a "Tornado" effect which enhances its capacity to extract gases.



The dia.110mm Hose and Hood Models are intended for 400-700 m³/h through the Hood.

The dia.160mm Hose and Hood Models are intended for 700-1300 m³/h through the Hood.

Max Vacuum 1500 Pa.

Perfectly balanced. External hydraulically suspended parallelogram-arms make the hood incredibly easy to move and stable in all positions. All tube ends are sealed for maximum Hygiene. Free flow in the Hose!

	Art. Nr.	Art. Nr.	Art. Nr.	Art. Nr.
	d.110 mm Straight Hood	d.110 mm 67° Hood	d.110 mm 150° Hood	d.160 mm Hood
Super-P 1.5 m (0.25 m+1.5 m), powder coated	P-349	P-355	P-361	P-184
Super-P 2m (0.5 m+1.5 m), powder coated	P-350	P-356	P-362	P-185
Super-P 2.2m (0.25 m+2 m), powder coated	P-351	P-357	P-363	P-186
Super-P 2.5m (0.5 m+2 m), powder coated	P-352	P-358	P-364	P-187
Super-P 3 m (0.5 m+3 m), powder coated	P-353	P-359	P-365	P-188
Super-P 4 m (0.5 m+0.6 m+3 m), powder coat.	P-354	P-360	P-366	P-189
Damper, tight. Powder coated.	P-486	P-485	P-485	P-487

Safety Notes

The product is designed to meet the requirements of the relevant EC directives. To maintain this status all installations, repair and maintenance work must be carried out by qualified personnel using only original spare parts.

Contact your nearest authorized dealer for advise.

Use adequate safety clothing when cleaning the unit.

Check that no objects, which can cause problems, are sucked into the Extraction-Arm.

Avoid impacts against the Hood.

Apart from the general information given in our user manual it is necessary to perform a risk analysis for the particular work prodeses that are going to be done in each induvidual case.

The final responsibility for safety can only be taken by the owner of the installation.

Range of Application

Super-P Extraction-Arms are designed for being used in Pharma-, Food- and Chemical Industry by for example weighing, mixing, taking samples, examinations, experiments and similar work situations.

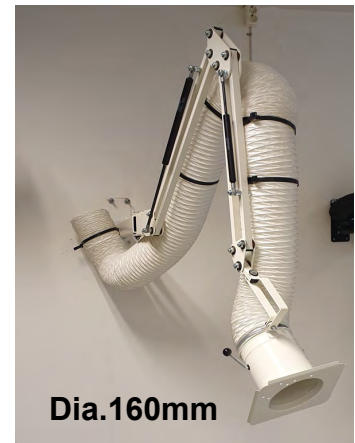
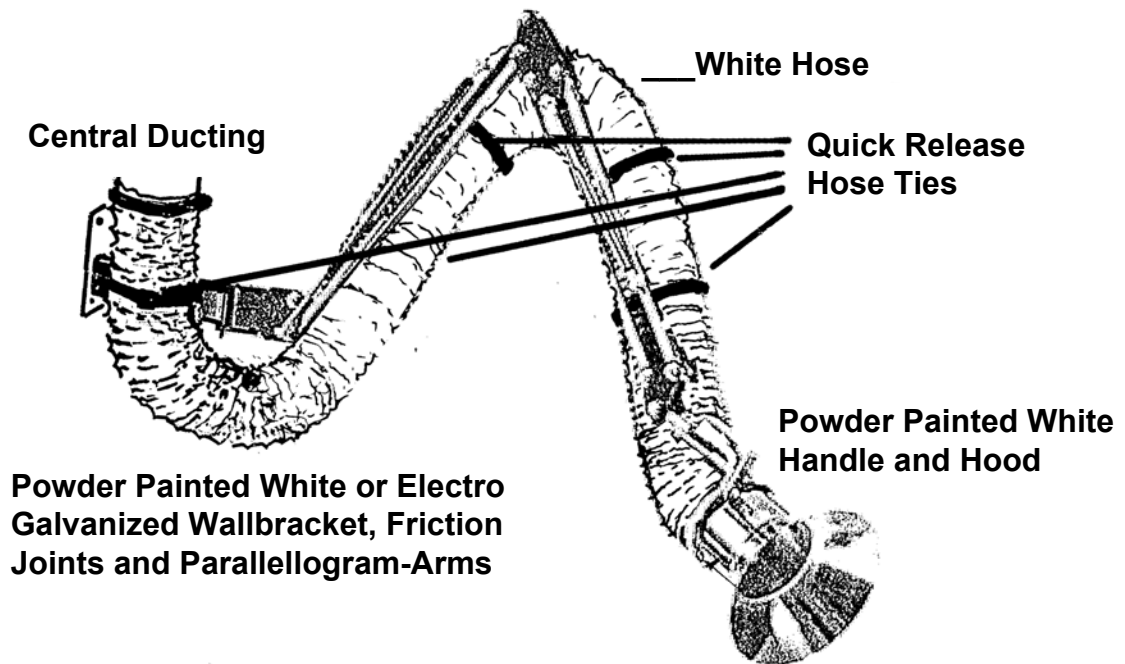
The Hood is easy to position at any point within the working area.

For the best capturing efficiency the hood should be positioned as near the contamination generating process as possible.

Always dimension your system so the airflow is sufficient for the application in question.

Be sure to follow local laws and regulations.

Unit Description Super-P Extraction-Arms.



The Super-P Extraction-Arms with Powder Painted Handle and Hood are designed to extract fume, light dust and gases in Chemical environments.

The flexible PVC Hose, with covered steelspiral, is balanced by Parallelogram-Arms with Gas Springs. It makes the Hood Extremely easy to move and it stays in position.

Free flow in the hose gives lower pressure drop and less maintenance.

The Hood can be turned 90° in all directions. It is easy to position at any point within the working area.

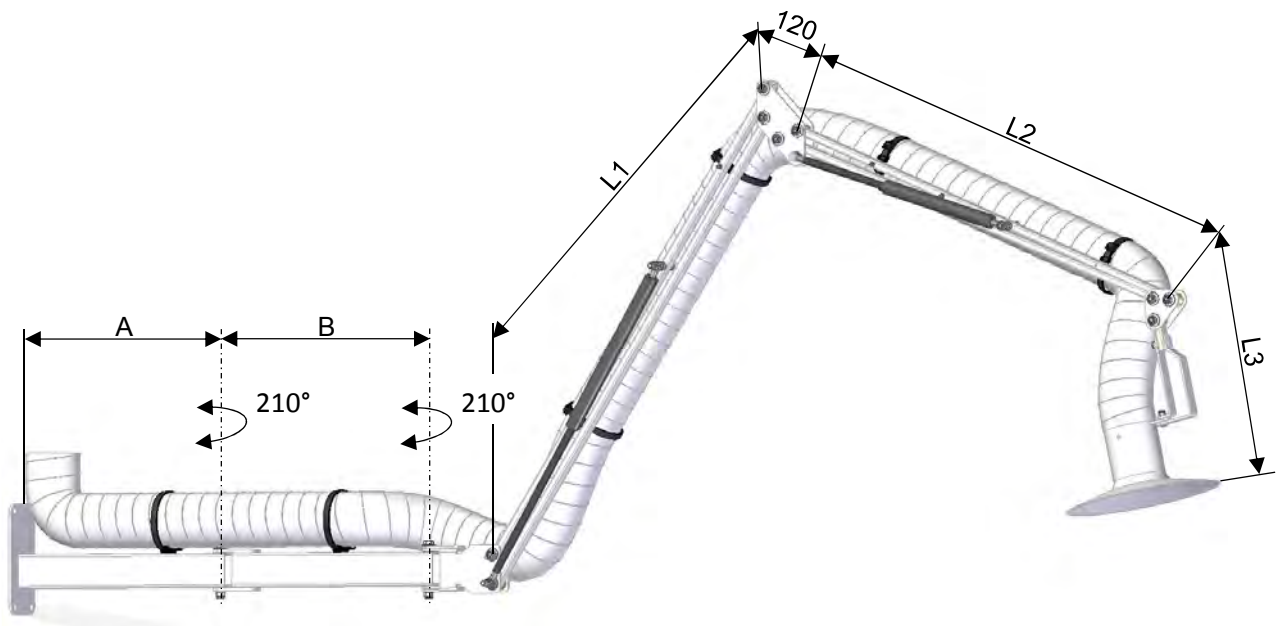
The Hood can be equipped with a Damper (Accessory).

The Super-P Extraction-Arm shall be connect to a an exhaust system designed for the work situation. Max allowed vacuum is 1500Pa.

Recomended Airflow for dia.110mm Models is 400-700m³/h.

Recomended Airflow for dia.160mm Models is 700-1300m³/h.

Measures Super-P Extraction-Arms.



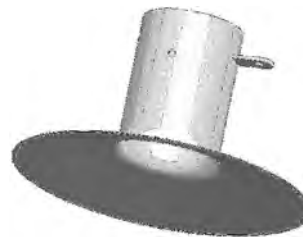
Dia.110mm Straight Hood

Ø110mm - 67°

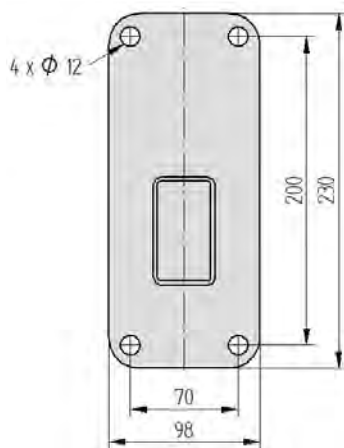


Ø110 - 150°

Ø160mm



Measures Wallbracket

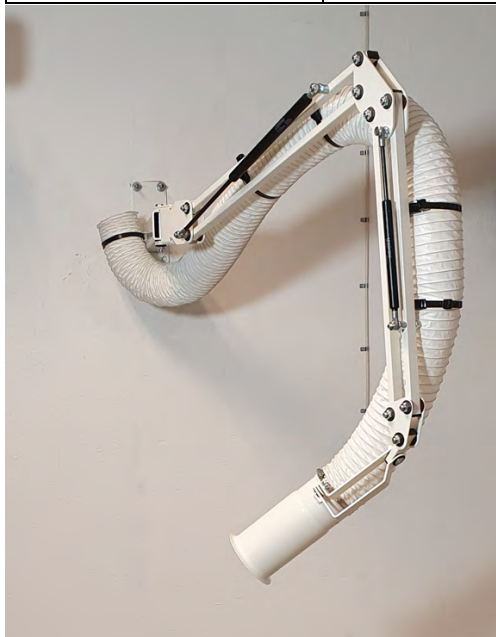


	A	B	L1	L2	L3	Weight	Length
1,5 m	250 mm	-	435 mm	335 mm	480 mm	14 kg	1750 mm
2,0 m	500 mm	-	435 mm	335 mm	480 mm	15 kg	2000 mm
2,2 m	250 mm	-	665 mm	565 mm	480 mm	17 kg	2250 mm
2,5 m	500 mm	-	665 mm	565 mm	480 mm	18 kg	2500 mm
3,0 m	500 mm	-	1165 mm	960 mm	480 mm	25 kg	3350 mm
4,0 m	500 mm	500 mm	1165 mm	960 mm	480 mm	27 kg	3850 mm

Pressure Drop: Super-P Extraction-Arms.

Ø 110mm Extraction-Arms.

Extraction-Arm	400m ³ /h	500m ³ /h	600m ³ /h	700m ³ /h
1.5-2.5m Ø 110mm	300 Pa	450 Pa	600 Pa	750 Pa
3m Ø 110mm	325 Pa	500 Pa	650 Pa	825 Pa
4m Ø 110mm	375 Pa	550 Pa	700 Pa	900 Pa



Ø 160mm Extraction-Arms.

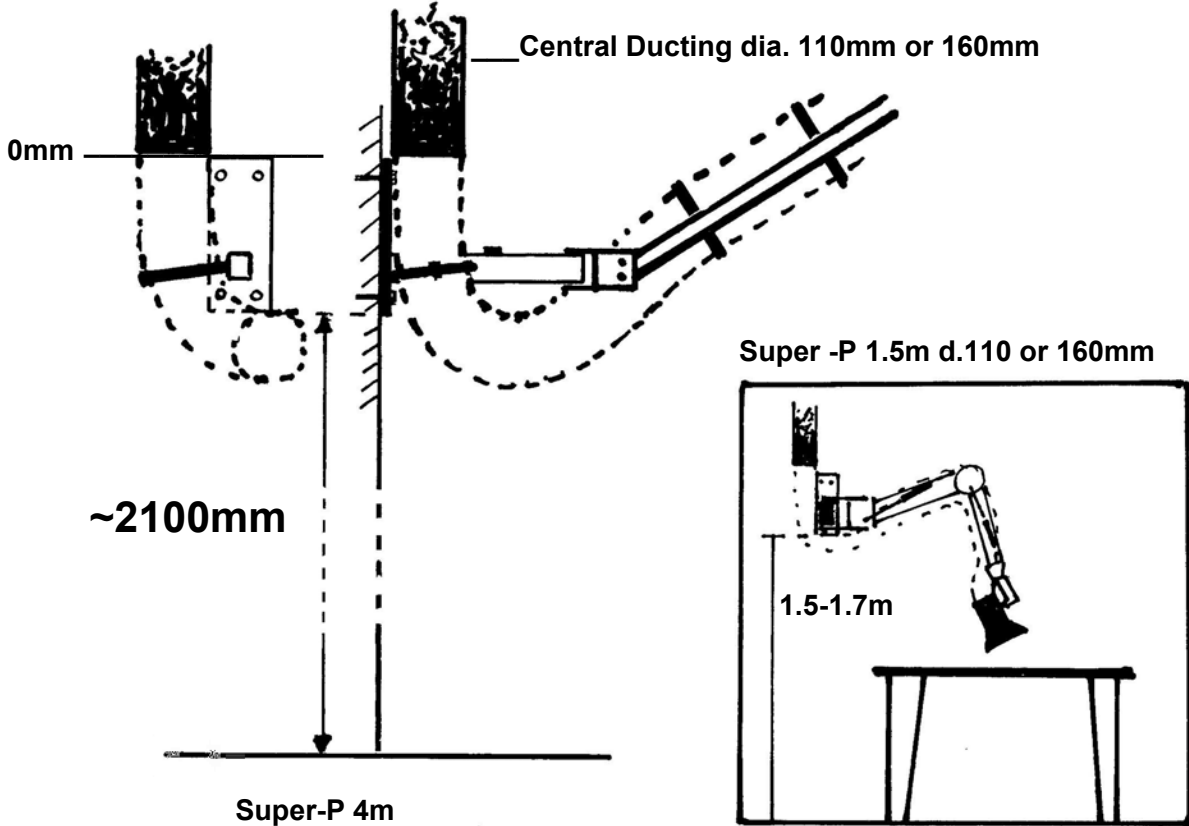
Extraction-Arm	700m ³ /h	1.000 m ³ /h	1.200 m ³ /h	1.300 m ³ /h
1.5-2.5m Ø 160mm	350 Pa	550 Pa	700 Pa	780 Pa
3m Ø 160mm	375 Pa	600 Pa	750 Pa	850 Pa
4m Ø 160mm	400 Pa	650 Pa	800 Pa	900 Pa



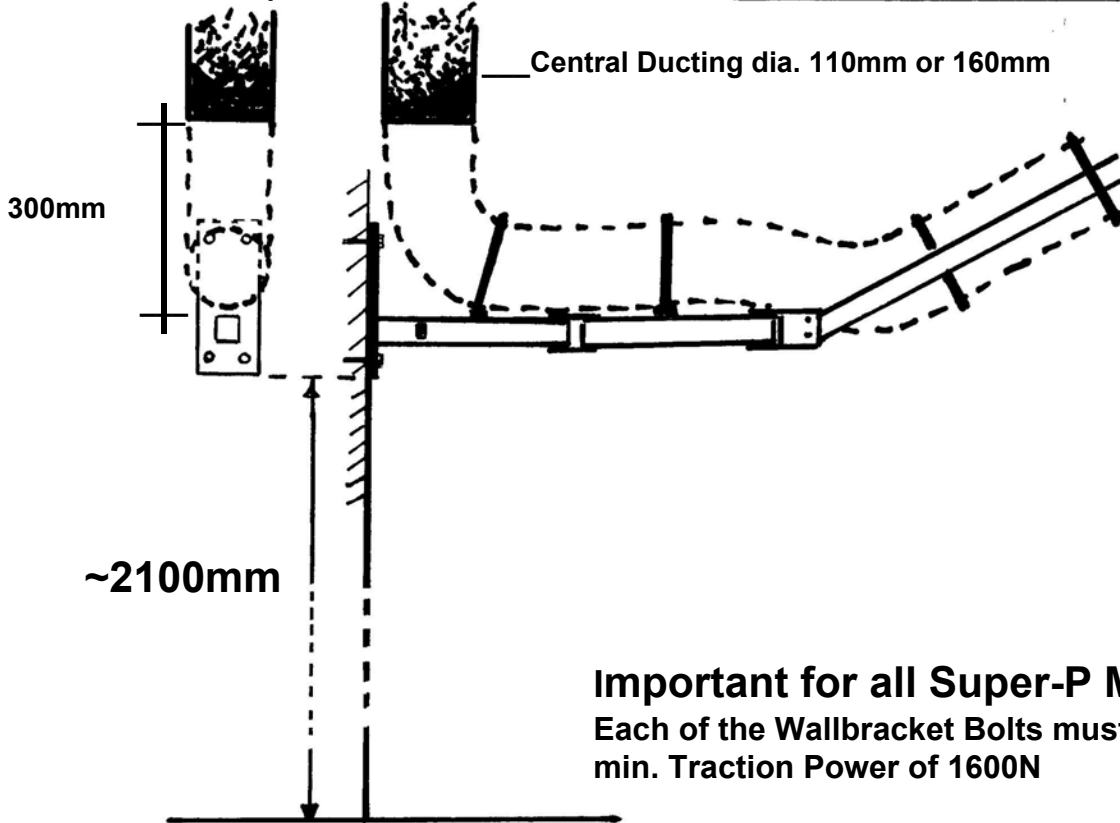
1.4 Installation.

Mounting Height and Connection of Hose to Central Ducting.

Super-P 2m/2.2m/2.5m and 3m

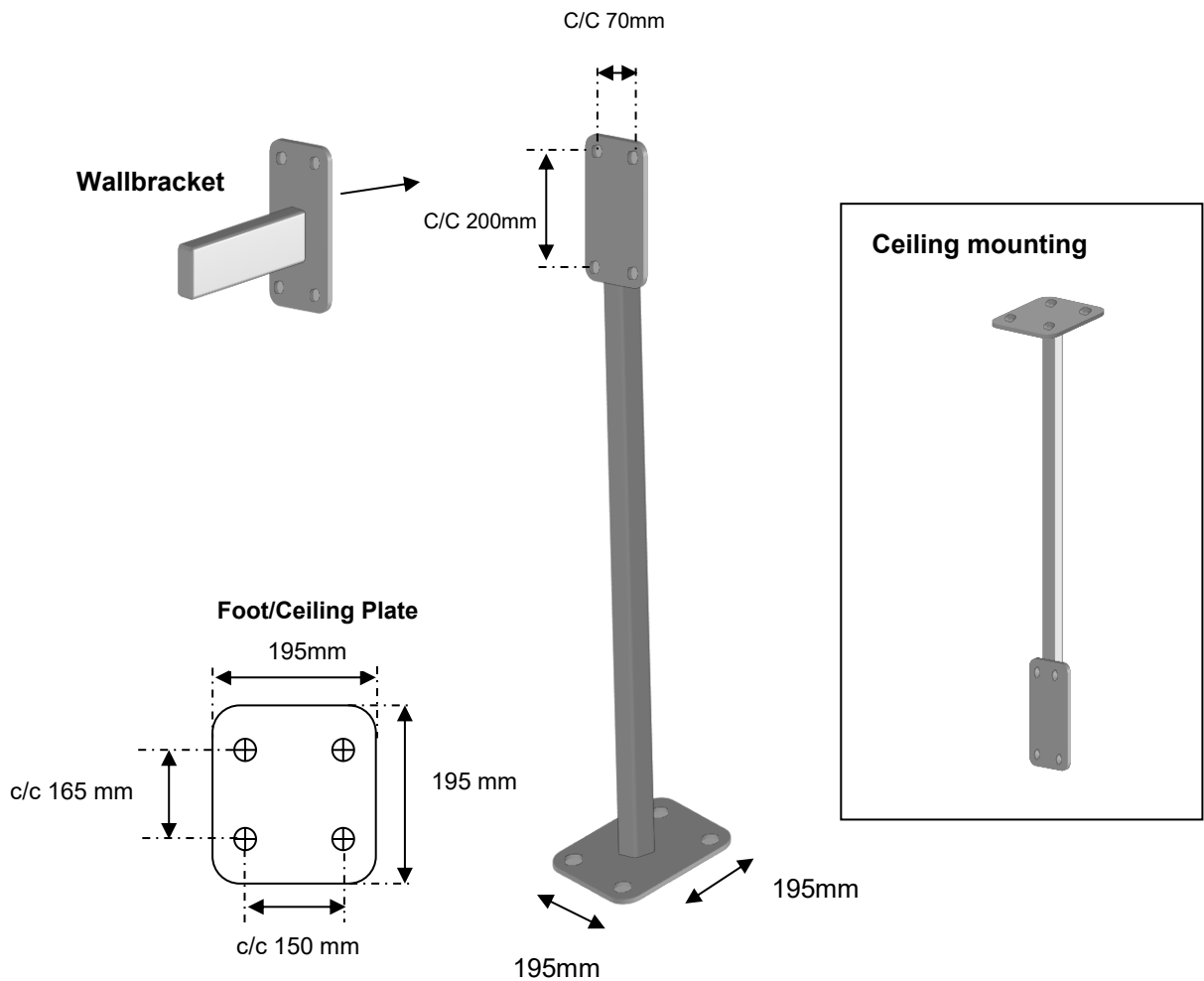


Super-P 4m



Important for all Super-P Models!
Each of the Wallbracket Bolts must stand a min. Traction Power of 1600N

**Floor/Ceiling Stanchion for Super-P Extraction-Arms (Accessory).
 Made of Powder Painted Steel. Height 0.5m-2.5m.
 For 1.5m-4m Extraction-Arms.**



Product No. for Floor/Ceiling Stanchions 0.5m-2.5m Height.

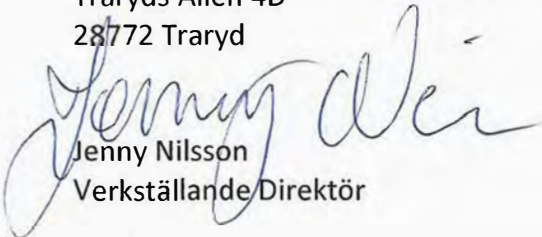
	Art.-Nr.
0,5m	P-434
0,75m	P-435
1,0m	P-083
1,25m	P-436
1,5m	P-437
1,75m	P-438
2,0m	P-084
2,25m	P-439
2,5m	P-440



Declaration of conformity

We, J. Plymoth AB, declare under our sole responsibility that the product lines **Flexa, Chemikus, Flexi, Super-Max, Super-P, Super-PM and Super-Vac** to which this declaration relates is in conformity with Directives 2006/42/EC and Standards EN ISO 12100:2010 and EN ISO20607;2019.

J. Plymoth AB
Traryds Allen 4D
28772 Traryd


Jenny Nilsson
Verkställande Direktör

2023-01-01