

Plymoth “VBF/H-ADO HEPA H14” Airpurifiers. High-Adjustable Direction Outlets.

Plymoth Professional Airpurifiers for Coffee-, Lunch- and Meeting Rooms, Offices, Schools, Restaurants, Fitnessstudios, Changing Rooms and so on.....



VBF/H-ADO1 700



VBF/H-ADO2/700



VBF/H-ADO4/1000

Plymoth VBF/H-ADO HEPA H14 Professional Airpurifiers are used indoors to reduce Corona- and other Virus in the air. They come in two sizes. 700m³/hour and 1000m³/hour maximum airflow. It is recommended to filter the total air volume in a room 6 times/hour. The VBF/H-ADO models are for larger rooms.

With ADO (Adjustable Direction Outlet) you can direct the cleaned air in any direction and with up to 4 nozzles. This makes it possible to reduce the overall concentration of Virus and Bacteria in larger rooms faster. The 99.995% cleaned air is blown out at a height of c. 2m. The cleaned air is better mixed with the rest of the air in the room which means that more Virus/Bacteria are filtrated in a shorter time. VBF-700 is for rooms up to 50m². VBF-1000 is for rooms up to 70m².

It is recommended to filter the total air volume in a room 6 times/hour. After a short while the Virus and Bacteria in the air is reduced with 98-99%. Suitable for placing anywhere in a room.

You also reduce the spread of normal colds and get less dust in the air which reduces cleaning costs.



The VBF/H-ADO models are designed with a 4-stage filtration system:

1. **Inlet Prefilter at the bottom** of the VBF for larger particles. Washable Aluminum mesh.
2. **Prefilter G4.** Makes the HEPA H14 filter last longer.
3. **HEPA H14 Filter.** VBF-700/8m². VBF-1000/13m². **With Certificate and leak test.**
4. **Outlet Filter in the upper part** of the VBF. Washable Aluminum mesh.

For your safety we only use HEPA H14 filter with Certificate and leak test.

The efficiency is over 99.995% on particles and Virus/Bacteria down to 0.1 micrometer.

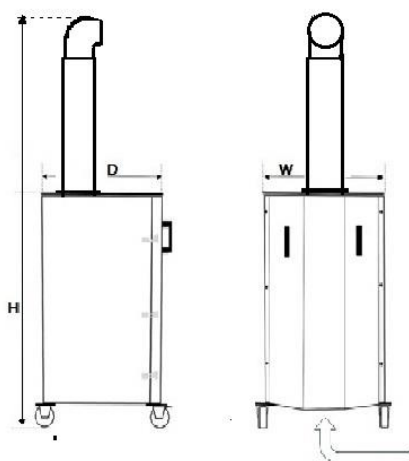
The filters are made in Europe by a HEPA specialist.

We recommend that you change the HEPA H14 Filters 1-2 times/year to avoid the risk of growth of microorganisms.

All VBF Airpurifiers are designed with 1-phase, 220V EC motors. Just plug it in. You can regulate the air volume down to levels where you hardly hear it.

All Plymoth VBF/H-ADO Airpurifiers are very robust and made of highest quality materials. As standard delivered with 4x125mm Castors with brakes. 4x125mm Legs can be ordered separately.

AG=ALU GREY OB=OZEAN BLUE MB=MAHOGANY BROWN GB=GREY BLACK (See VBF-ADO).



Noiselevel VBF (2m Distance-1.5m Hight)			
VBF-700		VBF-1000	
700 m ³ /h	59 dB/A	900 m ³ /h	66 dB/A
400 m ³ /h	53 dB/A	700 m ³ /h	63 dB/A
300 m ³ /h	49 dB/A	450 m ³ /h	57 dB/A
200 m ³ /h	44 dB/A	300 m ³ /h	49 dB/A
150 m ³ /h	39 dB/A	250 m ³ /h	46 dB/A
		200 m ³ /h	43 dB/A

VBF/H-ADO1/700 HEPA H14. 1 Outlet D.200/90 degree. EC 1-phase, 220V, 50/60Hz, 175W.

HEPA H14 (8M²). 520(W)x580(D)x2170mm(H).

P00843-AG/OB/MB/GB

VBF/H-ADO2/700 HEPA H14. 2 Outlets D.160/90 degree. EC 1-phase, 220V, 50/60Hz, 175W.

HEPA H14 (8m²). 520(W)x580(D)x2100mm(H).

P00845-AG/OB/MB/GB

VBF/H-ADO1/1000 HEPA H14. 1 Outlet D.200/90 degree. EC 1-phase, 220V, 50/60Hz, 350W.

HEPA H14 (13M²). 520(W)x580(D)x2225mm(H).

P00847-AG/OB/MB/GB

VBF/H-ADO2/1000 HEPA H14. 2 Outlets D.200/90 degree. EC 1-phase, 220V, 50/60Hz, 350W.

HEPA H14 (13m²). 520(W)x580(D)x2225mm(H).

P00849-AG/OB/MB/GB

VBF/H-ADO4/1000 HEPA H14. 4 Outlets D.160/90 degree. EC 1-phase, 220V, 50/60Hz, 350W.

HEPA H14 (13m²). 520(W)x580(D)x2150mm(H).

P00851-AG/OB/MB/GB

REPLACEMENT PREFILTER G4 for all VBF-700 Models.457x457x50mmmm.

P00800

REPLACEMENT PREFILTER G4 for all VBF-1000 Models.457x457x100mm.

P00801

REPLACEMENT HEPA H14 (8M²) for all VBF-700 Models.457x457x100mm.

P00802

REPLACEMENT HEPA H14 (13m²) for all VBF-1000 Models.457x457x150mm.

P00803

LEGS 4x125m m for all VBF-700/1000 Models. Black.

P00580