

User Manual

Maxi-Mesa 1m/1.4m



With 75mm wide U-formed Steel Bars
with suction slots

With 40x5mm Flat Steel Bars

- **Backdraft/Downdraft Extraction Tables 1m/1.4m wide.**
- Robust and elegant design. Easy to open Side Panels.
- Frontside "Guillotine" Damper/Dampers for only Downdraft.
- Table Tops: U-formed Steel Bars with Suction Slots or Vertical Steel Bars.
- Dust Trays. Legs Height adjustable 150mm.
- Prepared for Extraction-Arm and Spark Trap (Accessories).
- Easy to assemble and install. Outside dia.199mm Connection/Connections.

Table of Contents

1.0 General Information

1.1 SafetyNote

1.2 Range of Application

1.3 Unit Description

1.4 Installation

1.5 Mounting

1.6 Extraction-Arm

2.0 Maintenance

2.1 General Information

2.2 Spare Parts

1.0 General Information

The Maxi-Mesa Backdraft/Downdraft Tables are designed for creating efficient and worker friendly Environments.

Welding and Grinding work is perfect for the Maxi-Mesa Extraction Table.

They can be used for all sorts of other work situations where a table and extraction of contaminated air is needed.

Extraction can take place backwards and downwards at the same time.

Thanks to the Frontside "Guillotine" Damper/Dampers you can adjust the Backdraft Air volume to Zero thus concentrating the extraction Downwards.

The unit shall be connected to an exhaust system designed to take care of the exhausted contaminations.

The working height can be adjusted from 820-970mm.

The tables are robustly made of 3mm thick steel plate.

The side shields have hinges and quick release locks.

There are built in Dust Trays which are easy to pull out and empty.

Maxi-Mesa is prepared for being equipped with a Flexi FLB Extraction-Arm (1.5m/2m/3m. Accessory) on the top of the backdraft box. You can then concentrate the suction to a spot where it is especially needed. With a 2 or 3m arm you will reach far outside the Maxi-Mesa Table.

1.1 Safety Note

Always interrupt the current before opening the device. Equip the Maxi-Mesa with a Spark Trap if it will be used for applications with Sparks. Follow all regulations regarding Explosion Risks.

1.2 Range of Application

Maxi-Mesa Backdraft/Downdraft Tables are for extraction of Gas, Fume and Dust from all sorts of work. It must be connected to an extraction source. The extraction system shall be designed for the actual type of contamination and local laws.

1.3 Unit Description

Plymoth Maxi-Mesa is a modern combined Backdraft and Downdraft Table with built in regulating Damper. 1m and 1.4m Models.

Dust, Fume and Gases. Plymoth Maxi-Mesa is suitable for welding and heavier grinding. It extracts backwards and downwards and can be used in many other applications.

Unique regulating Damper. Plymoth Maxi-Mesa is as standard equipped with a regulating damper which makes it possible to adjust the width of the vertical openings of the backdraft panel. You can quickly adjust the total air volume between backdraft and downdraft with the handle on the front side.

Extraction Arm. For heavy welding the Maxi-Mesa can be equipped with a Flexi FLB 1.5m extraction arm. Thanks to the unique regulating damper the total air volume can be divided between backdraft, downdraft and extraction arm.

Heavy Grinding. For heavy grinding the Maxi-Mesa with a table top of vertical 40x5mm flat bar-irons should be used. Hot particles and sparks will fall down into the dust trays. The main air volume should go through the backdraft panel and, if fitted, the extraction arm, to catch hot fume, dust and gases which are going upwards.



Table Tops

75 mm wide u-formed iron bars or 40x5 mm flat iron bars

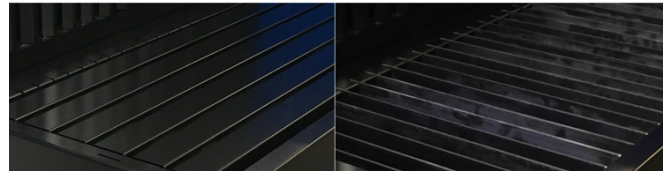


Table Top. Maxi-Mesa can be delivered with a Table Top of 75mm wide U-formed iron bars with 15mm extraction slots in between or with a Table Top of 40x5mm vertical Flat iron bars.

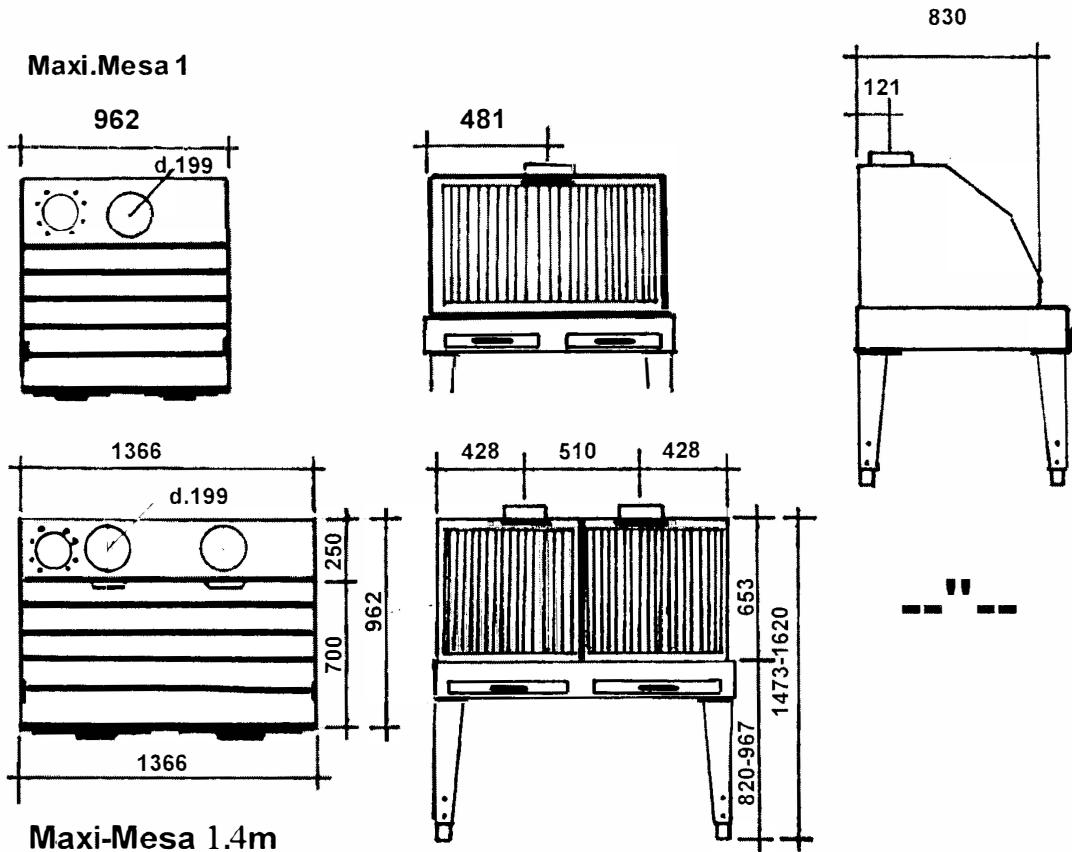
Strongly designed. Plymoth Maxi-Mesa is designed of 2 and 3mm steel-sheet. The table height can be adjusted from 800-950mm. The side panels can be opened for long objects. Suitable air volume for 1m table is 1500-2000m³/h and for 1.4m table 2000-3000m³/h. It shall be connected with an external fan and extraction system. Connection diameter is 199mm outside.

	Art.Nr.
Maxi-Mesa 1m with side panels and 75mm wide u-formed iron bars. 1mx1m (LxW)	P-776
Maxi-Mesa 1.4m with side panels and 75mm wide u-formed iron bars. 1.4mx1m (LxW)	P-777
Maxi-Mesa 1m with side panels and Vertical 40x5mm flat bar-irons. 1mx1m (LxW)	P-782
Maxi-Mesa 1.4m with side panels and Vertical 40x5mm flat bar-irons. 1.4mx1m (LxW)	P-783
Spark Trap for Maxi-Mesa 1m. 2 Pcs.	P-778
Spark Trap for Maxi-Mesa 1.4m. 2 Pcs.	P-779
Flexi FLB 1.5m Extraction Arm. Diameter 160mm.	P-069

*The Maxi-Mesa in the picture is extra equipped with a 1.5m Flexi FLB extraction arm.

Measures (mm): Maxi-Mesa 1m/1.4m

The measures on Maxi-Mesa 1m are the same as on 1.4m if not written out.



Extraction-Arm (Accessory). Product No. P-788, P-789, P-790.

Seen from the front side, on the top to the left is a hole prepared for mounting of an Extraction-Arm. It has 8xM8 Pop-Nut Threads. It is covered with a bolted steel lid.

Technical data

	Maxi-Mesa 1m	Maxi-Mesa 1.4m
Recommended Airflow:	2000m ³ /h	3000m ³ /h
Pressure Drop:	250Pa	300Pa
Pressure Drop with Spark Trap:	350Pa	450Pa
Max. Load:	150kg	150kg
Weight:	145kg	220kg
Outlet on top of unit :	199mm	2x199mm

Prepared for 1xExtraction-Arm 1.5m, 2m or 3m on top of unit.

Accessories

Spark Trap

Metal mesh filter that reduces the risk of extracting hot sparks which can cause fire. For mounting in the back panel.

Flexi FLB Extraction-Arm. 1.5m, 2m or 3m for mounting in a prepared hole. This hole is covered with a bolted steel plate. The bolts shall be used for the FLB Extraction-Arm.

1.4 Installation

After the mounting of the Maxi-Mesa it shall be transported to the place where it shall be installed and connected to an extraction system.

The extraction system can be of the following types:

1. Ducting to a Fan and sent out of the building.
2. Connection to a central ducting system with a fan in the end and out of the building.
3. Like 2. above but with a Heat Exchanger before it is sent out of the building.
4. Connection to a filter unit and sent out of the building or if allowed returned to the room. Which to choose depends on Exhausted Contaminations, Filter Unit and Local Laws.
5. Connection to a central ducting system with a Filter Unit and sent out of the building or returned to the room. Which depends on Exhausted Contaminations, Filter Unit and Local Laws.
6. 4 and 5 above can be equipped with Heat Exchanger if sent out of the building. It is advisable to use dia. 200mm ducting from the Maxi-Mesa Unit. It fits directly to the outlet/outlets and keeps down the pressure drop.
7. When the unit is connected to the extraction system you shall bolt it to the floor.

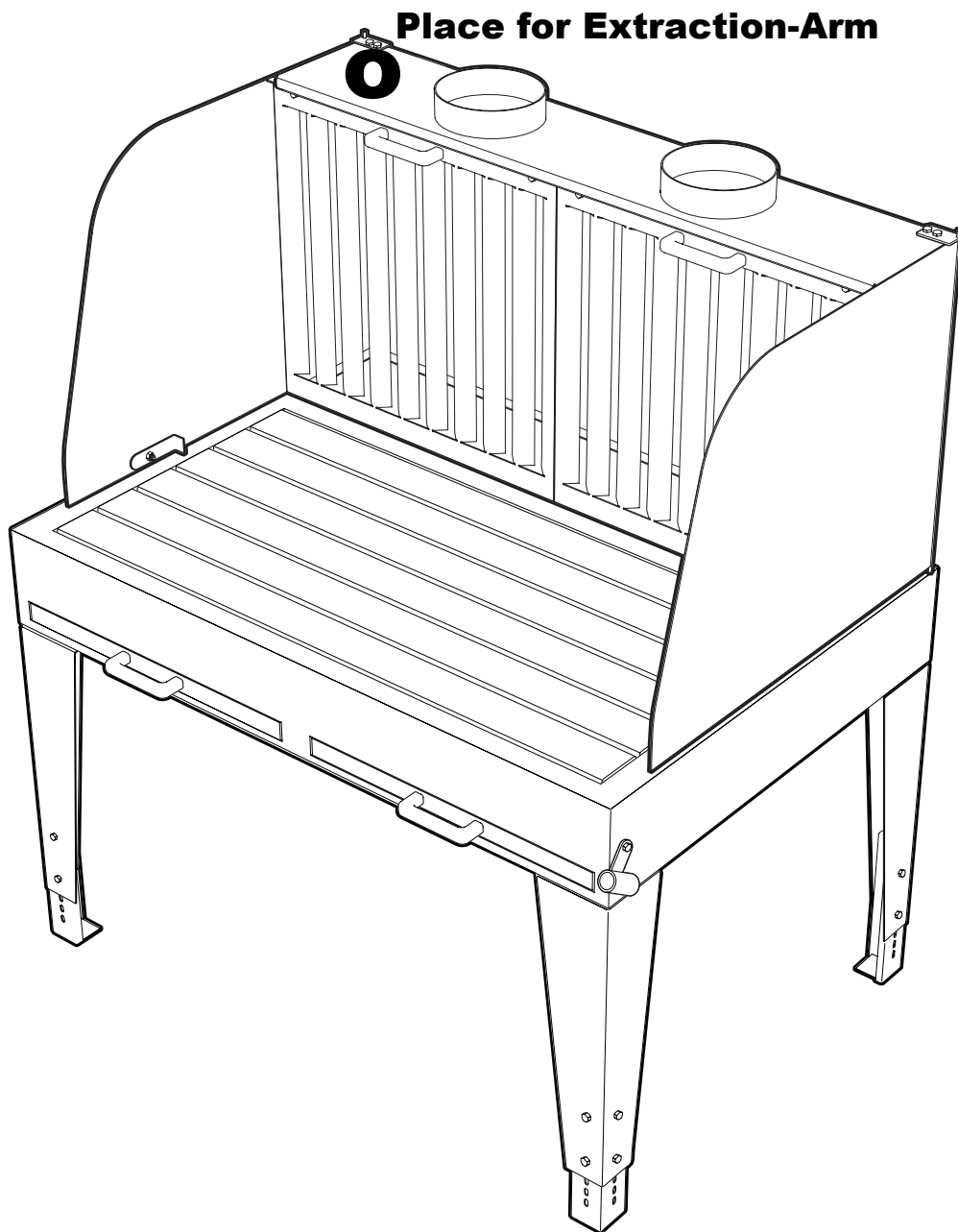
There are prepared holes in the feet.

Flexi FLB Extraction Arm 1.5/2m or 3m (Accessory):

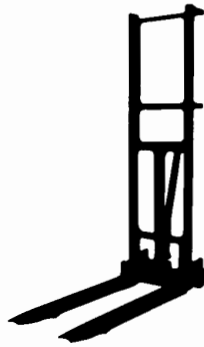
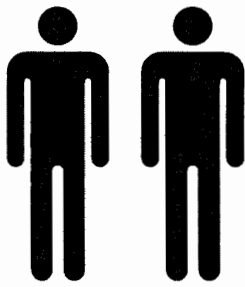
Can be mounted on the prepared place on the top of the Maxi-Mesa at any time.

For complete instruction see User Manual for Flexi Table Extraction Arms.

1.5 Mounting



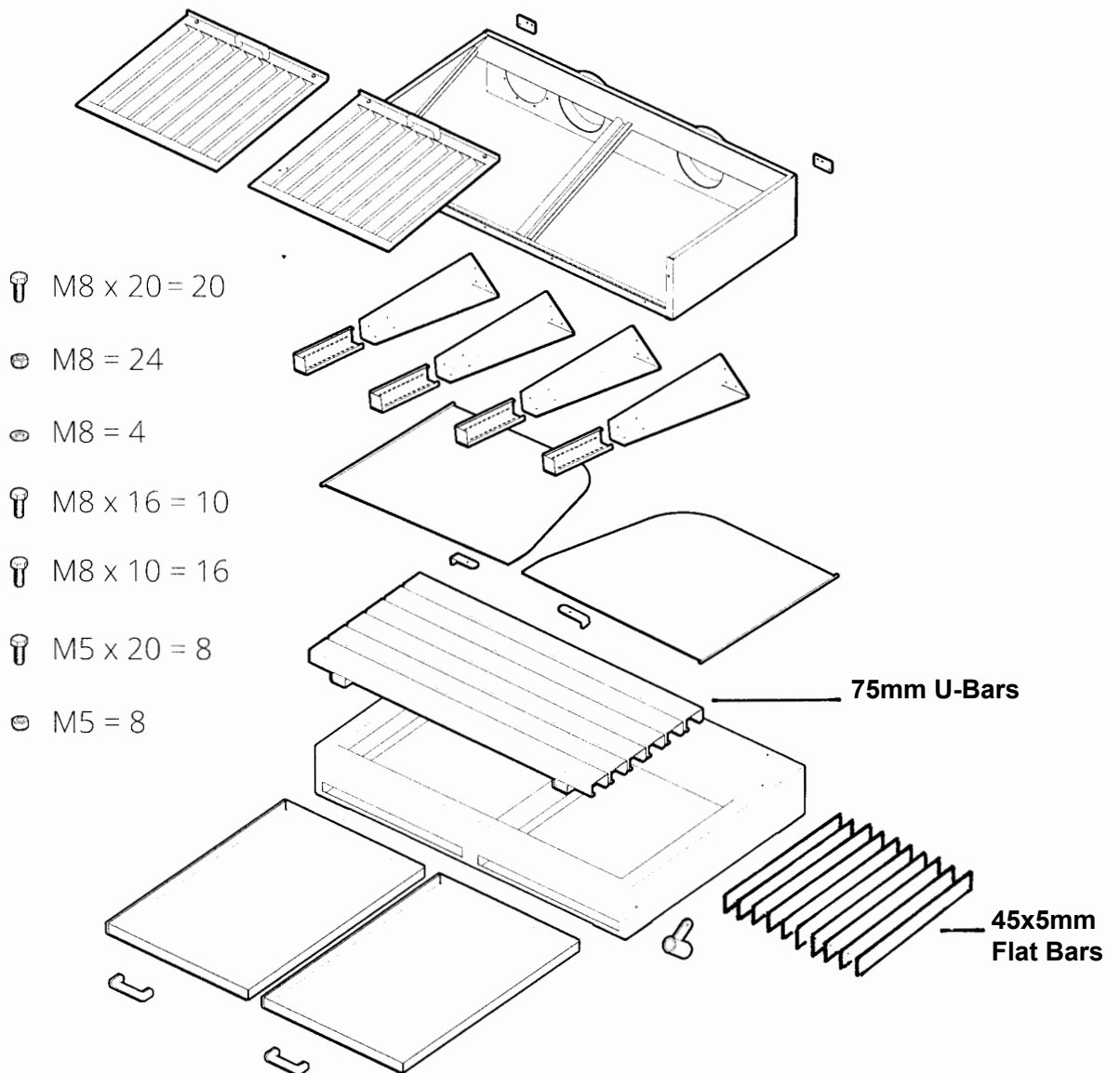
Recomended Mounting Steps.



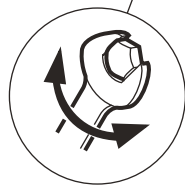
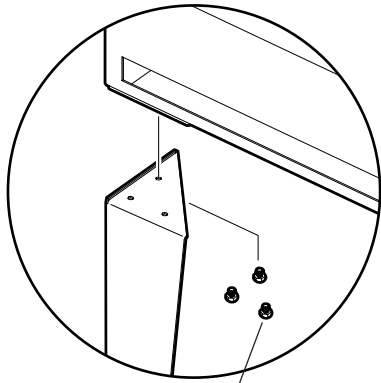
145 kg and 220 kg

Maxi-Mesa 1m is mounted in the same way as 1.4m.

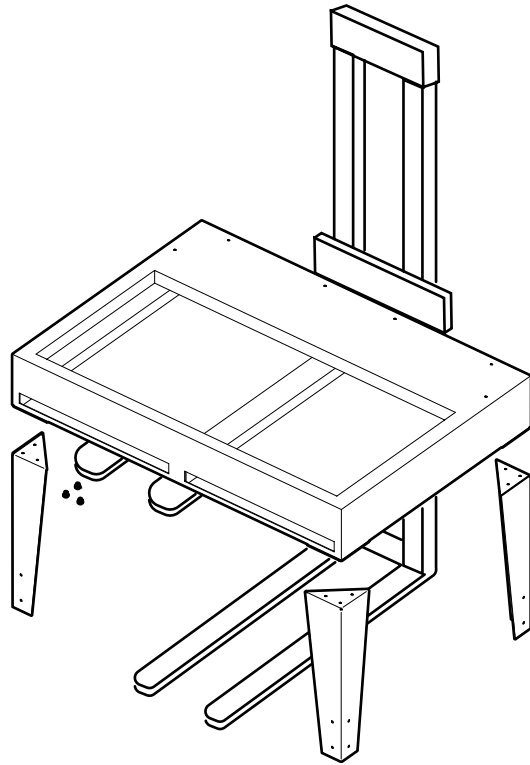
Overview



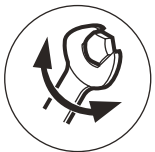
1



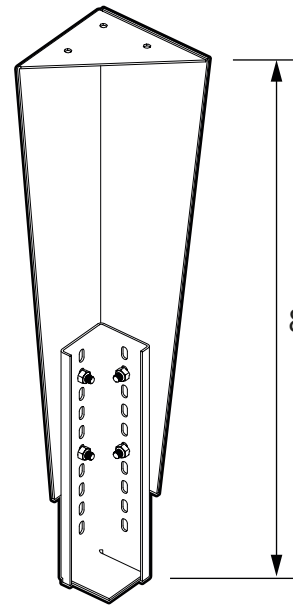
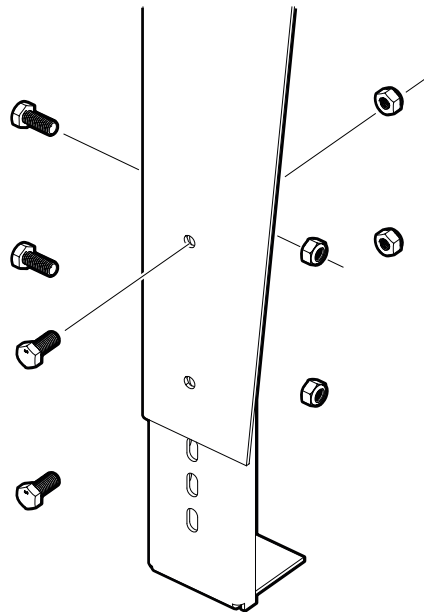
13 mm
M8x16 x 16



2



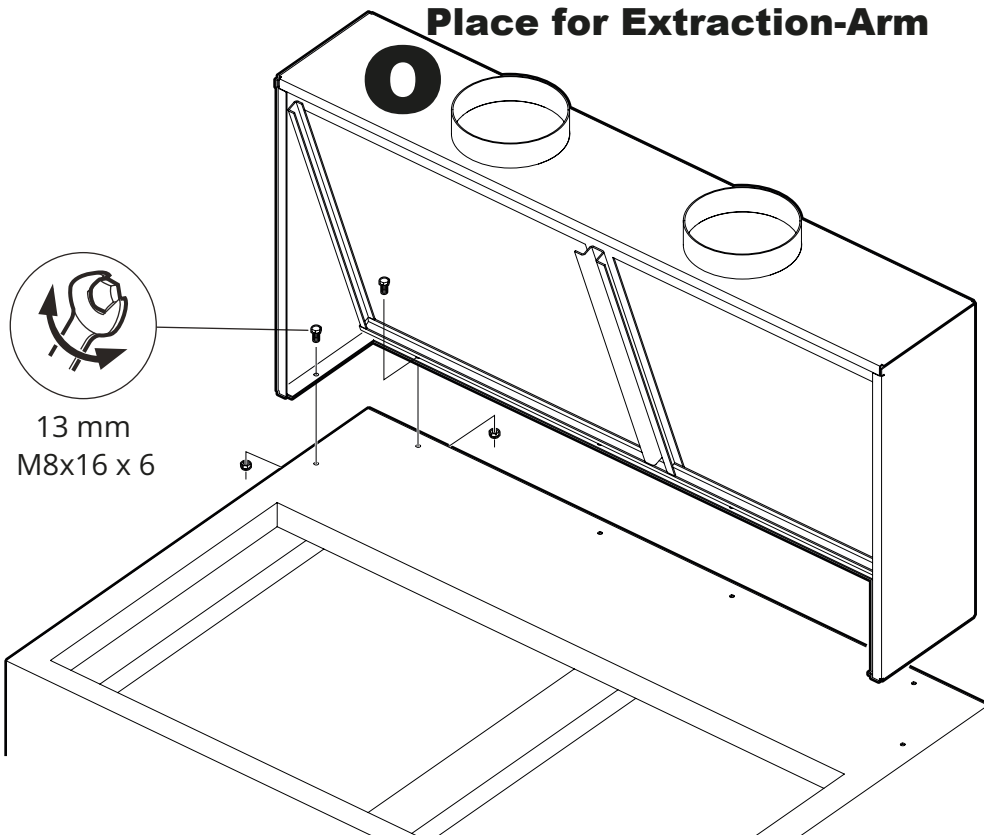
13 mm
M8x20 x 16



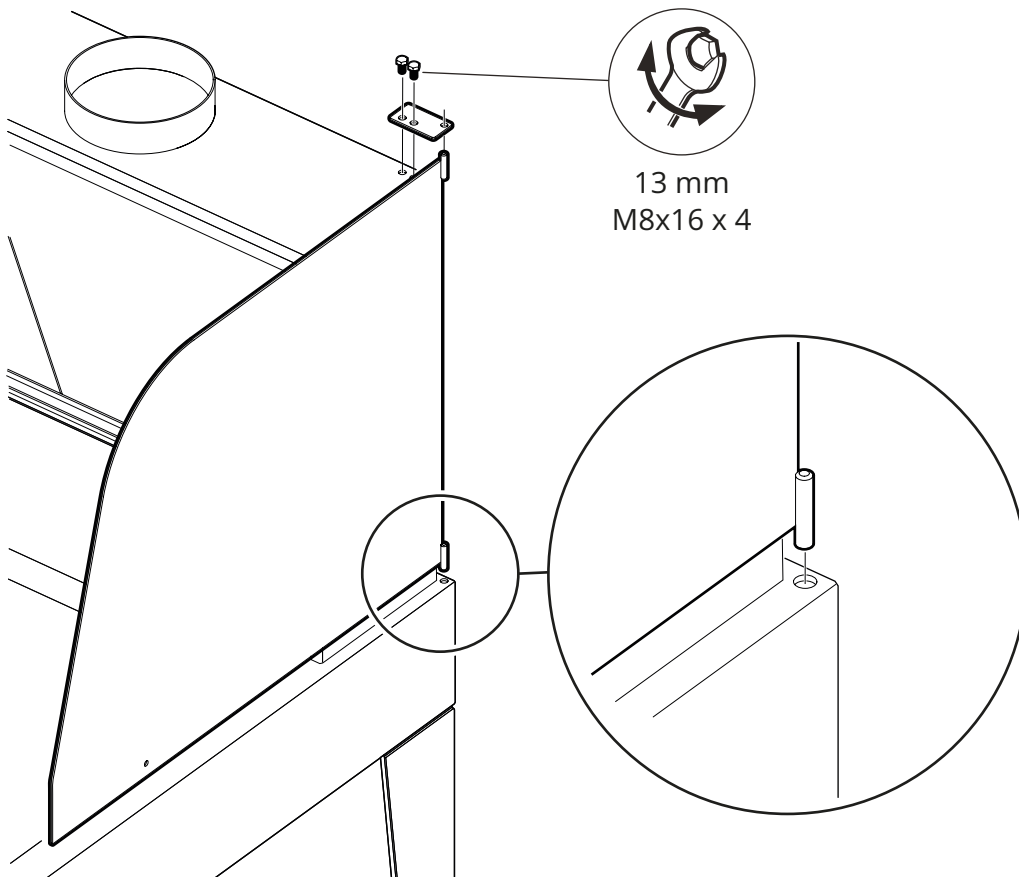
80 - 95 cm

3

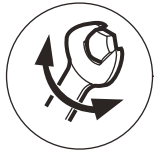
Place for Extraction-Arm



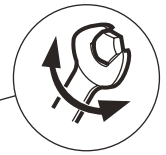
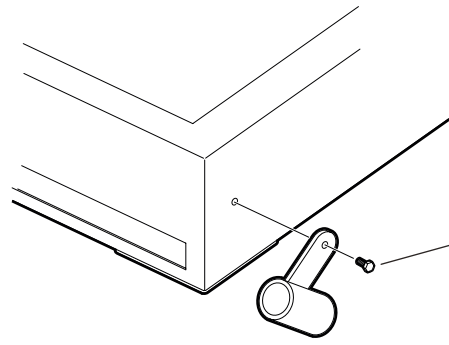
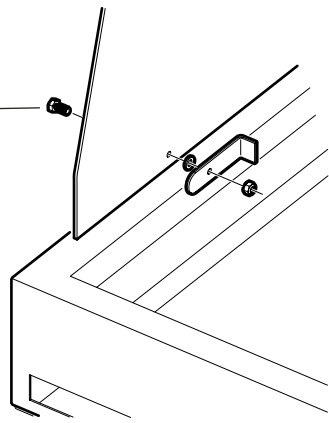
4



5

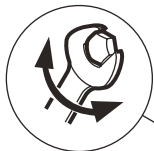


13 mm
M8x20 x 2

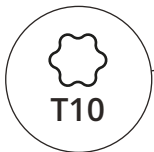


13 mm
M8x20 x 1

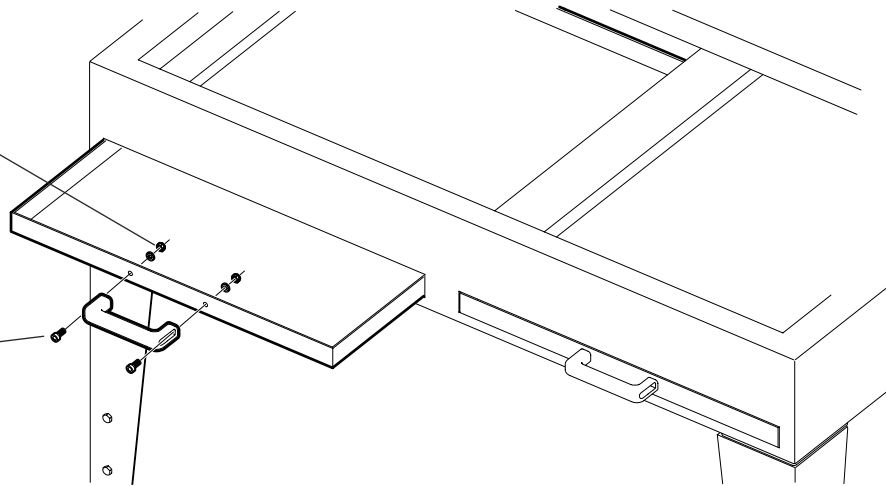
6



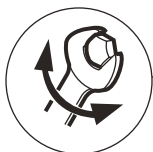
8 mm
M5 x 4



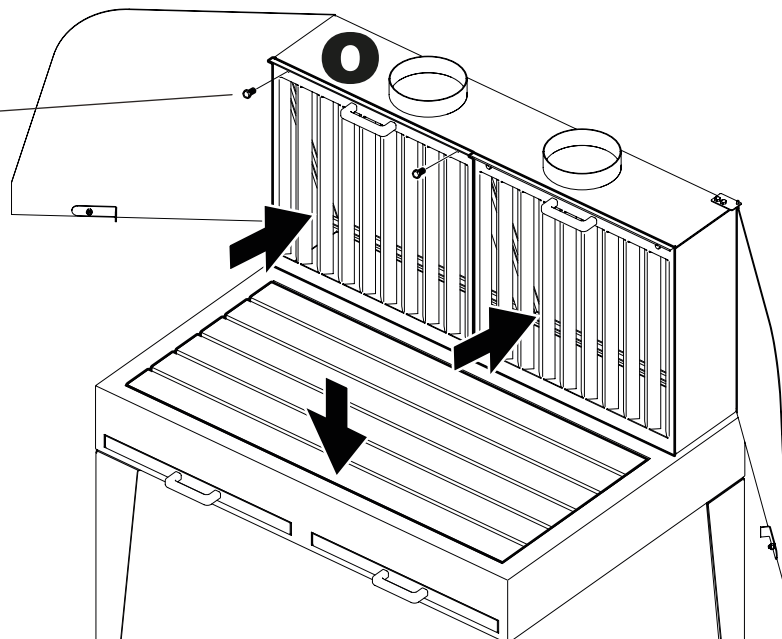
M5x20 x 4



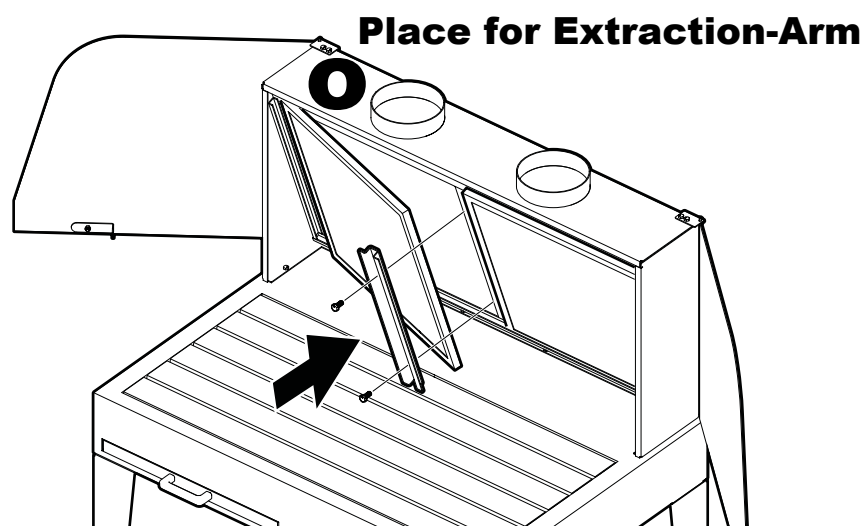
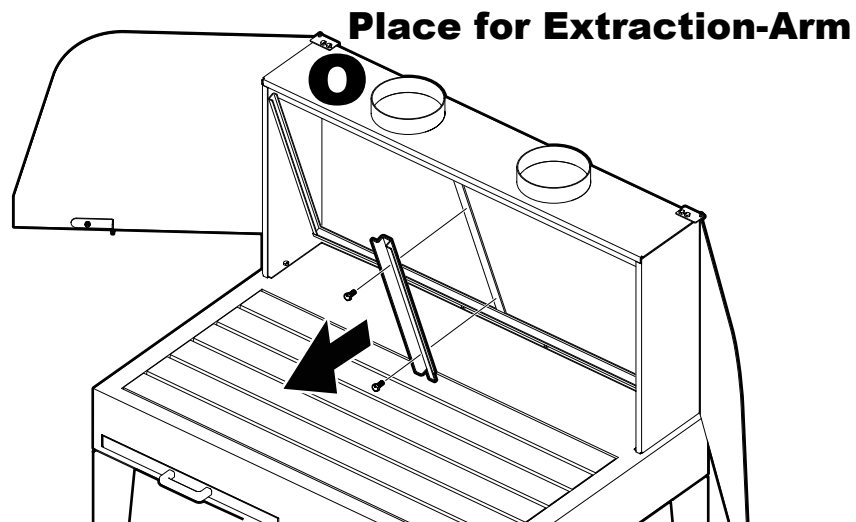
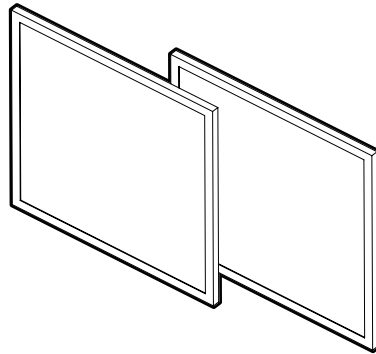
7



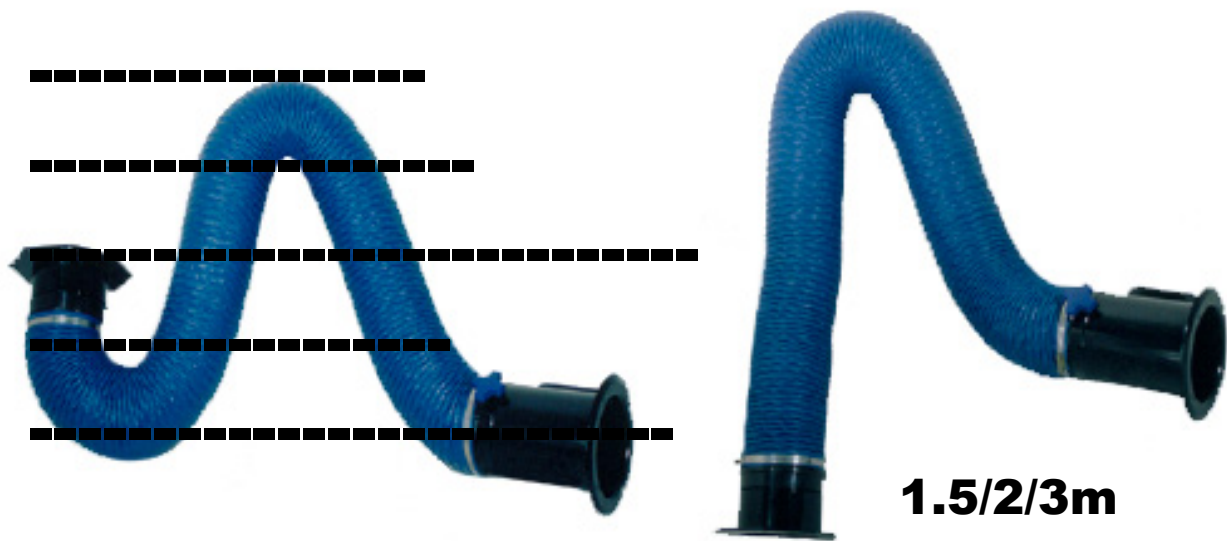
13 mm
M8x10 x 4



Spark trap (Accessory): Has to be mounted before step 7 above.



1.6 Flexi FLB Extraction-Arm.



General Information.

The Flexi FLB Table/Mobile-Filter/Super-Mesa/Maxi-Mesa Extraction-Arms are designed to extract dust, fume and gases. They have a swivel which allows the Arm to be rotated 360 degrees. The flame-proof flexible hose, with covered steelspiral, has a parallelogram system inside to balance the hose and hood. This makes the Hood extremely easy to move to a new position and will stay there.

The Flexi steel hood is black painted and can be turned 90 degrees in all directions. It can easily be positioned at any point within the working area.

The Flexi FLB can be mounted on Super-Mesa and Maxi-Mesa Extraction Tables. The top of the units has a prepared mounting place with 8xM8 threads. You can easily mount the arm even after the Super/Maxi-Mesa is in use. There are 1.5m, 2m and 3m models with dia.160mm hose. With a 3m FLB Extraction-Arm the unit is not just a Clean Air table area but can also cover a exhaust contaminated air in a 3x3m work both.

Max allowed vacuum is 1600Pa.

Max temperature of the exhausted air is 70 Degrees Celsius.

Recomended airflow for d.160mm Arms is 600-1000m³/h.

2.0 Maintenance

2.1 General Information.

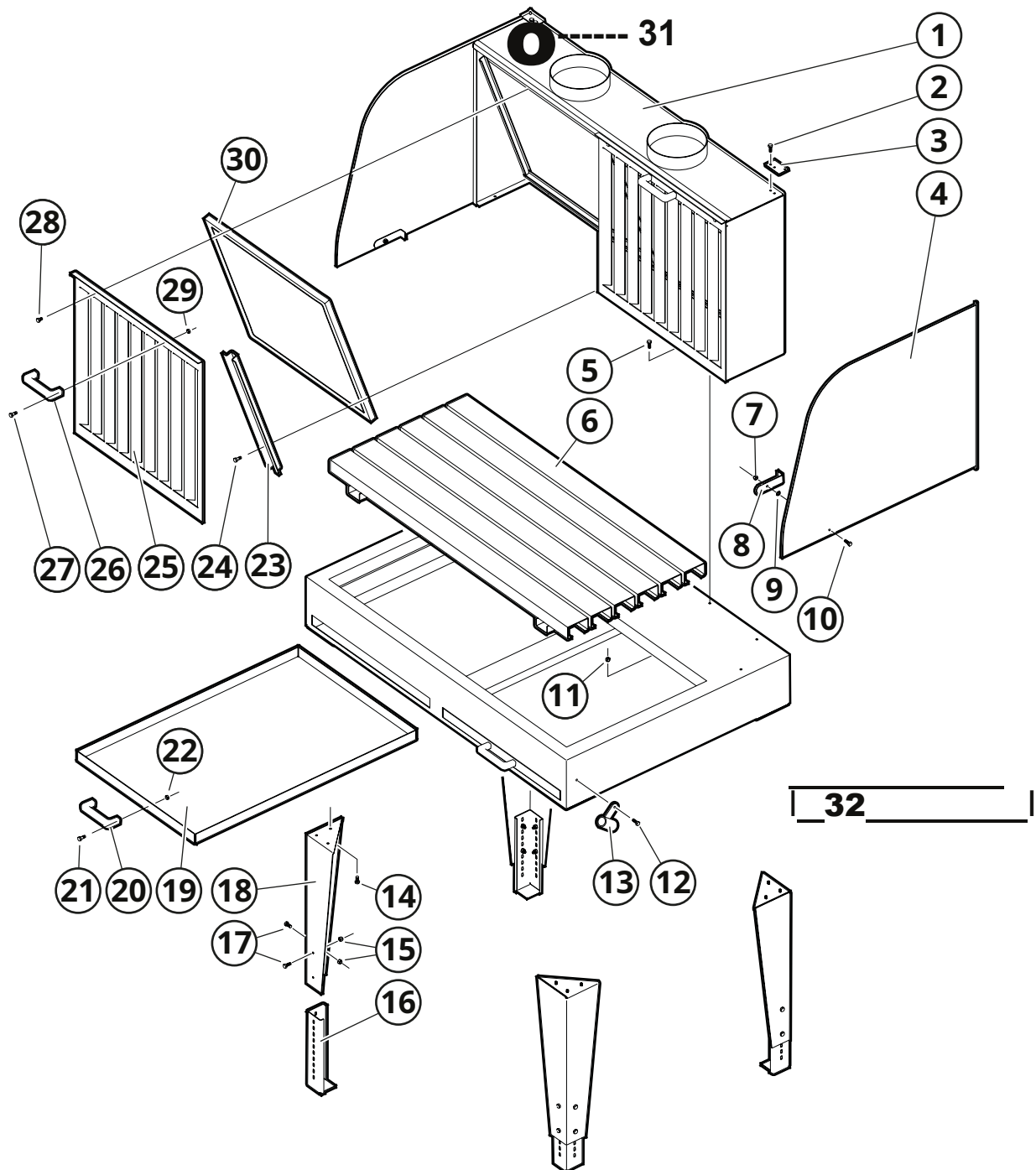
The Maxi-Mesa Extraction Tables are robust and normally don't need much maintenance. However the following should be checked at least 2 times a year.

- 1. Check that the leg bolts are tight.**
- 2. Check that the Horizontal Damper is working smoothly. If not demount and clean . At the same time clean the area behind and the Spark Trap (Accessory).**
- 3. Pull out the Dust Trays. Check the Table surface. Take it off and Clean it and the room below.**
- 4. If the Maxi-Mesa is equipped with an Extraction Arm (Accessory) check the hose. Small holes are no problem. If the Arm doesn't stay in position, loosen the hose and tighten the friction joints.**

2.2 Spare Parts Maxi-Mesa 1m(P-776/783) and 1.4m(P-777/784).

When ordering spare parts please specify:

1. Name and P-number of your product.
2. Number/numbers and text from below.
3. Quantity of each number/numbers.



1.Backdraft Box 2/3.Bolt and ear for Side Panel 4.Side Panel 5/11.Bolt and nut for Backdraft Box 6.Table Top with suction slots 7/8/9/10. Quick Lock for Side Panel 12/13.Holder for compressed air pistol 14.Bolt for leg 15/17.Bolt and nut for height adjustable leg 16.Height adjustable leg 18.Leg 19.Dust Tray 20/21/22.Handl with bolts and nuts 23/24.Holder and Bolts for Spark Trap 25/28."Guillotine" Damper with Bolts 26/27/29.Handle with Bolts and Nuts 30.Spark Trap 31.Cover Lid for Extraction-Arm Hole. 32. 45x5mm Flat Iron Bar.

Spare Parts: Flexi FLB Extraction-Arm, 1.5m/2m/3m/dia.160mm for Maxi-Mesa.

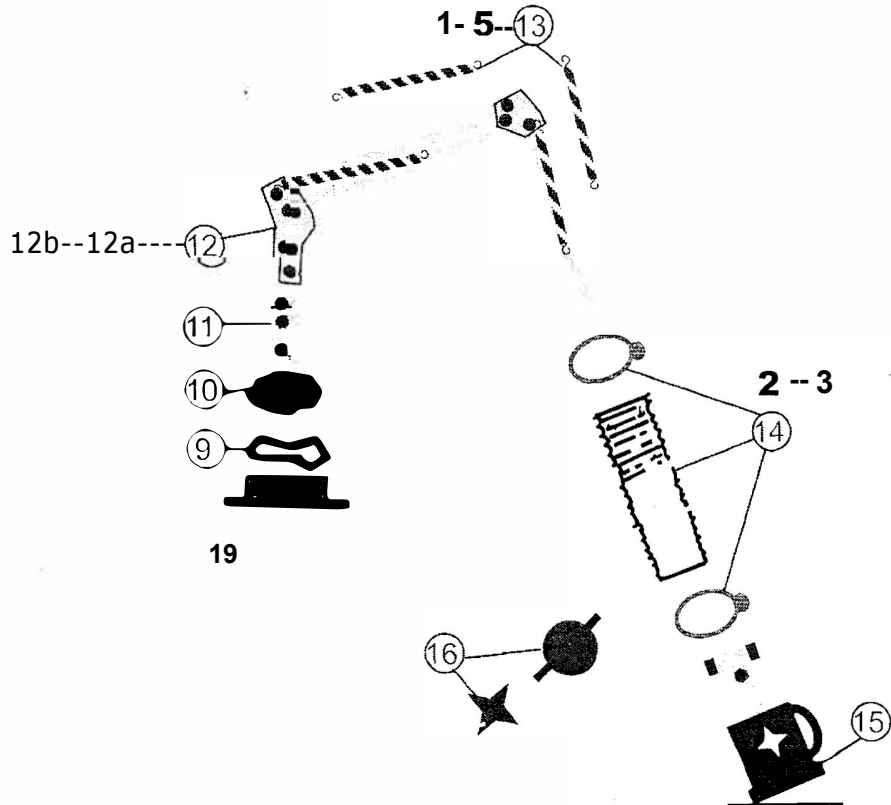
SPARE PARTS

ERSATZTEILE

PIÈCES DE RECHANGE

PIEZAS DE REPUESTO

1.5m=P-069
2m=P-168
3m=P-169



ENGLISH ORDER INSTRUCTION

When ordering spare parts always state:
-Name of the Product.

-Detail no. of the spare part and the name as per list below.
-Quantity of the parts required

DEUTCH BESTELLANLEITUNG

Bei der Bestellung von Ersatzteilen immer angeben:
- Ersatzteilnummer und Beschreibung (s. Liste unten).
- Anzahl erforderlicher Ersatzteile.

FRANCAIS INSTRUCTIONS DE COMMANDE

Lors de la commande de pièces de rechange, toujours spécifier:
- Numéro de détail et dénomination (voir liste).
- Quantités des pièces requises.

ESPAÑOL INSTRUCCIONES DE PEDIDO

Cuando pida repuestos especifique siempre:
- N° de pieza del repuesto (en la lista).
- Cantidad de repuestos requeridos.

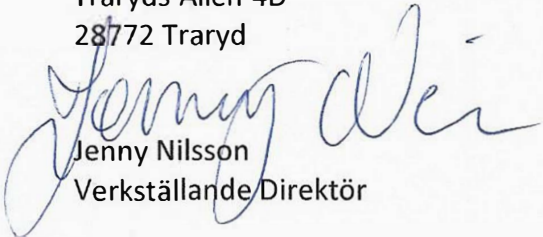
- 1. Spring Set 1.5m Arm
- 2. Hose+Hose Clamps 1.5m Arm
- 3. Hose+Hose Clamps 2m Arm
- 5. Spring Set 2m Arm
- 9. Rubber kollar
- 10. Hose ring of Plastic
- 11. Shaft
- 12. Inside Arm 1.5 m complete
- 12a. inside Arm 2m complete
- 12b. Inside Arm 3m complete
- 13. Spring set 3m Arm
- 14. Hose+Clamps 3m Arm
- 15. Hood, complete
- 16. Damper set
- 19. Arm Holder**



Declaration of conformity

We, J. Plymoth AB, declare under our sole responsibility that the product lines **Flexa, Chemikus, Flexi, Super-Max, Super-Vac, Super-Mesa and Maxi-Mesa, K-Mesa, MK-Mesa** to which this declaration relates are in conformity with Directives 2006/42/EC and Standards EN ISO 12100:2010 and EN ISO20607;2019.

J. Plymoth AB
Traryds Allen 4D
28772 Traryd


Jenny Nilsson
Verkställande Direktör

2023-01-01