

# User Manual

LABBE-400 without/with Extraction-Arm/Arms.



## Labbe-400E1/E2/E1F/E2F Extractor-Filters.

1-phase EC Extractor-Filter for One dia.100mm or Two dia.75mm Flexa or Chemikus Extraction-Arms. 1m, 1.3m or 1.6m long (See "Laboratory").

All Models have Alu-Mesh Prefilter, HEPA H14(8m<sup>2</sup>) Filter Box and Active Carbon Fleece. For Fine Dust, Fume and light Odours.

Adjustable Extraction volume 0-400m<sup>3</sup>/h. Clean Air Outlet at the bottom.

Cleans also the Room from Virus/Bacteria (99.995% Efficiency).

# **Table of Contents**

## **1.0 General Information**

### **1.1 Safety Note**

### **1.2 Range of Application**

### **1.3 Unite Description**

### **1.4 Change of Filter**

## **2.0 Maintenance**

### **2.1 General Information**

### **2.2 Spare Parts**

## **1.0 General Information.**

**You can order a LABBE-400E1 or E2 prepared for 1 or 2 Flexa/Chemikus Extraction-Arms. Then choose the Size of Extraction-Arm you need. Dia.75 or 100mm and 1m, 1.3m or 1.6m long (See "Laboratory").**

The LABBE-400E1F or E2F Extractor-Filters are complete units with ONE dia.100mm/1.3m or TWO dia.75mm/1.3m Flexa Extraction-Arms.

A LABBE Extractor-Filter with Flexa or Chemikus Extraction-Arm/Arms is an easy and efficient way to create a work place with clean air. The Hood can be positioned close to where dust and fume is generated and will exhaust it, before somebody inhales it.

A LABBE Extractor-Filter is simple to install. The Extraction-Arm/Arms are delivered assembled. They just need to be mounted, with 4 M8x16mm Bolts, on the top of the Unit. The Extraction-Arms are factory adjusted and don't need any adjustment. Then just "Plug it in" and it is ready for use.

A LABBE Unit is easy to move due to the 4 Castors with Brakes.

When the extraction not is good enough it is easy to replace the Filters. The Door has 4 expander locks to make it easy to open and lock. 4 locks make sure that the door is tight.

To avoid the opening of the Door by mistake the 2 Top Expander Locks are fixed with Bolts. The Door is also equipped with a Safety Braker which cuts the current when the Door is opened.

To replace the HEPA H14 Filter Box you open the door, loosen the Filter Box Holder and just pull the box out. Test if the extraction will be good enough if you clean the Alu-Mesh Prefilter, which is in the top of the HEPA Filter Box. If the extraction is still not good enough you have to replace the HEPA Filter Box. Replace the Active Carbon Filter Fleece if Odours come through.

### **1.1 Safety Note.**

**Always disconnect the electricity supply before opening the LABBE-Unit.** Don't exhaust Sparks or Poisenous Dust.

Use adequate safety clothing when replacing dirty filters.

Dispose of used Filters according to local laws and regulations.

### **1.2 Range of Application.**

The LABBE-400 Extractor-Filters are designed for work situations where smaller amounts of fine fume and dust is generated. The HEPA H14 Filter has over 99.995%. efficiency (even against Virus/Bacteria). The Active Carbon Fleece helps against light Odours. The filtered air can be recirculated into the the room.

## 1.3 Unit Description.

### LABBE-400E Extractor-Filter for Flexa/Chemikus Extraction-Arm/Arms.



#### For Work Situations where Dust and Fume need to be exhausted.

LABBE-400E is a complete and flexible “Plug and Play” Extractor-Filter with dia.75mm or 100mm Extraction Arm/Arms. It will solve your “Health and Safety” problems. Just place it where it is needed and “Plug it in”. The very flexible Flexa/Chemikus Extraction-Arm will capture Fine Dust and Fume before somebody risks inhaling it.

**LABBE-400E1 is for ONE Flexa/Chemikus dia.100mm Extraction-Arm.** 1m, 1.3m or 1.6m(See "Laboaryory").

**LABBE-400E2 is for TWO Flexa/Chemikus dia.75mm Extraction-Arms.** 1m, 1.3m or 1.6m(See "Lboratory").

**LABBE-400E1F is equipped with ONE Flexa dia.100mm/1.3m Extraction-Arm.**

**LABBE-400E2F is equipped with TWO Flex dia.75mm/1.3m Extraction-Arms.**

#### Virus and Bacteria Airpurifier.

The LABBE-400E is not just an efficient Extractor-Filter for catching Dust and Fume directly at the source. It is also an Airpurifier! It's HEPA H14(8m2) Filter filtrates Virus/Bacteria with 99.995% efficiency. It's 400m3/h will clean the air, in a 50m2 room, 3 times/h. You get less sickleave caused by Colds and Flues.

#### Alu-Mesh, HEPA H14 (8m2) and Active Carbon Fleece.

The HEPA H14 Filter Box is equipped with a Prefilter of Alu-Mesh (washable) and an Active Carbon Fleece for filtration of everyday odours.

#### EC Fan with variable Air Volume.

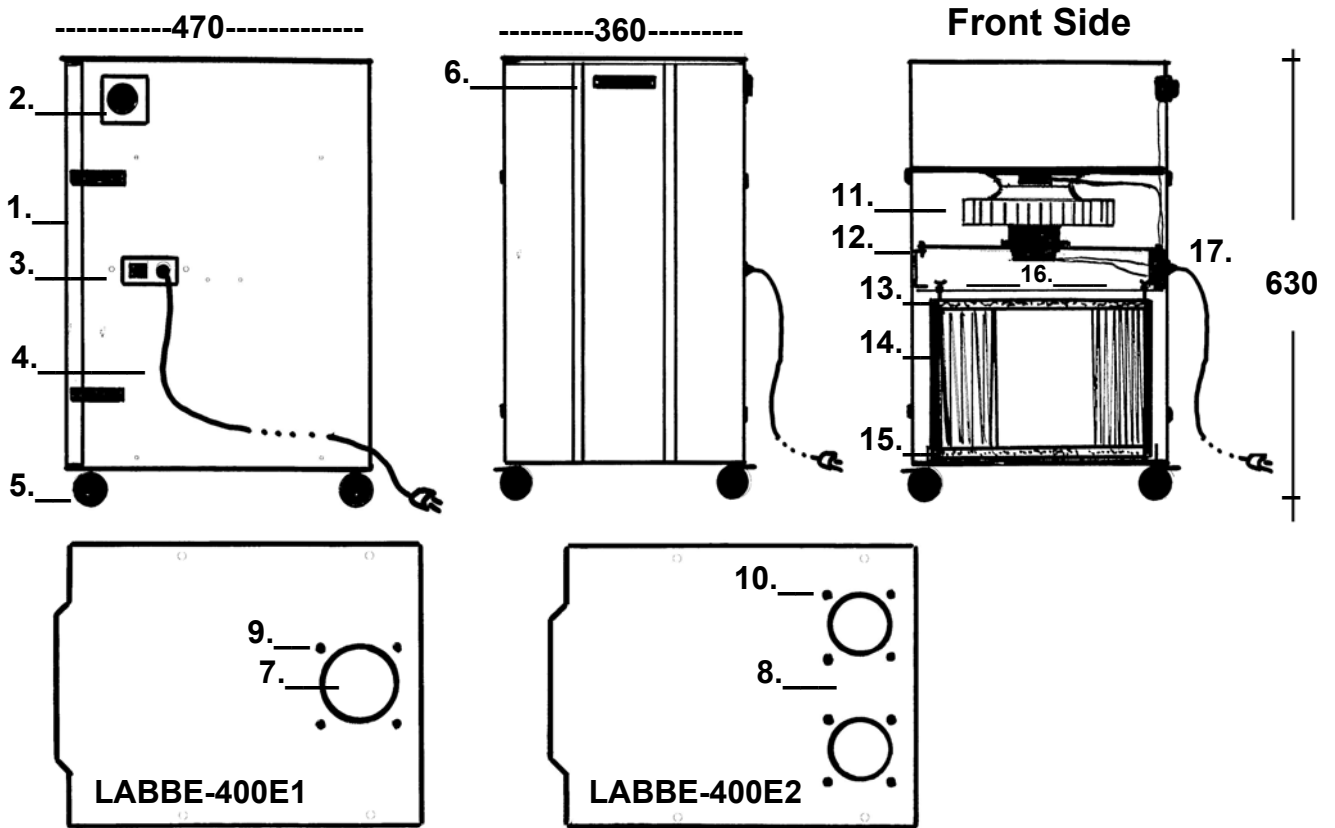
The Labbe-400E has an EC Fan (1-phase/178W/220V/50Hz) which can be regulated with the easy to reach control. The air volume can be adjusted from 0-400m3/h. Low noise level and low energy consumption.

LABBE-400E1F. LABBE-400E1 including 1 Top mounted Flexa d.100mm/1.3m Extraction-Arm.	P-987
LABBE-400E2F. LABBE-400E2 including 2 Top mounted Flexa d.75mm/1.3m Extraction-Arms.	P-988
LABBE-400E1. Is prepared for 1xd.100mm Flexa/Chemikus Table Extraction-Arm on the Top.	P-951
LABBE-400E2. Is prepared for 2xd.75mm Flexa/Chemicus Table Extraction-Arms on the Top	P-952

Replacement HEPA H14 Filter Box 8m2 (99.995%) for LABBE-400, Denta-Flex and Fika-Flex.	P-954
Replacement Active Carbon Filter Fleece (Set of 5 pcs.) for LABBE-400, Denta-Flex and Fika-Flex.	P-953

### 1.3.1 Design and Measures (mm.): LABBE-400E1/E2.

400E1 is for ONE d.100mm Flexa/Chemikus Extraction-Arm 1m, 1.3m or 1.6m long.  
 400E2 is for TWO d.75mm Flexa/Chemikus Extraction-Arms. 1m, 1.3m or 1.6m long.



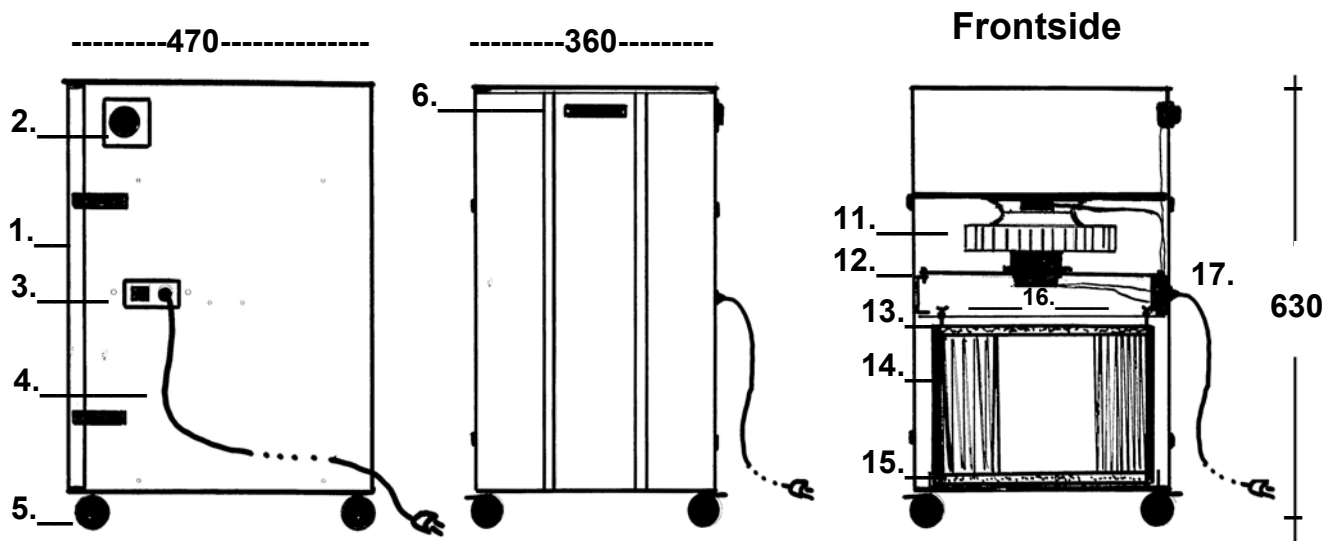
**Note! Flexa/Chemikus Extraction-Arms are not included in 400E1/E2..**

1. Door with 4xExenter Locks. The 2 at the top are fixed with Bolts to avoid opening by mistake. The Door has a Safety Braker which cuts the current when the Door is opened.
2. Air volume Adjustment Knob.
3. On/off Switch.
4. Cable with Plug.
5. Castors with Brakes (4pcs.).
6. Handle.
7. LABBE-400E1 Topside.
8. LABBE-400E2 Topside.
9. M8 Pop-Nuts (4pcs.).
10. M8 Pop-Nuts (8pcs.).
11. Fan with Impellar. EC Motor 1-phase/178W/220V/50Hz.
12. Fan Bracket.
13. Alu-Mesh Prefilter in the top of the HEPA H14 Filter Box (washable).
14. HEPA H14 Filter Box (8m2).
15. Active Carbon Filter Fleece in the bottom of the HEPA Filter Box.
16. HEPA Box Holder.
17. Electric Box.

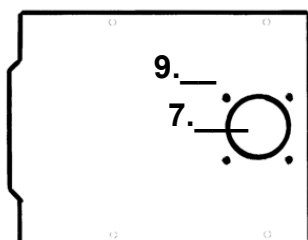
## 1.3.2 Design/Measures (mm.). Extraction-Arm/Arms Includ.

LABBE-400E1F: Mobile Extractor-Filter WITH ONE FLEXA d.100mm/1.3m Extraction-Arm.

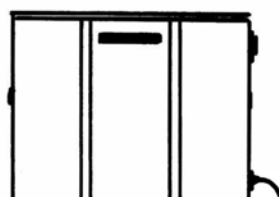
LABBE-400E2F: Mobile Extractor-Filter WITH TWO FLEXA d.75mm/1.3m Extraction-Arms.



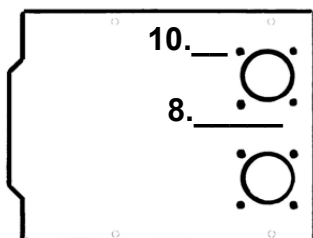
LABBE-400E1F



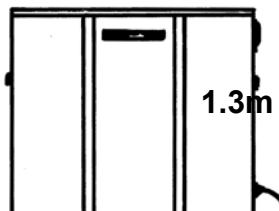
D.100 1.3m



LABBE-400E2F



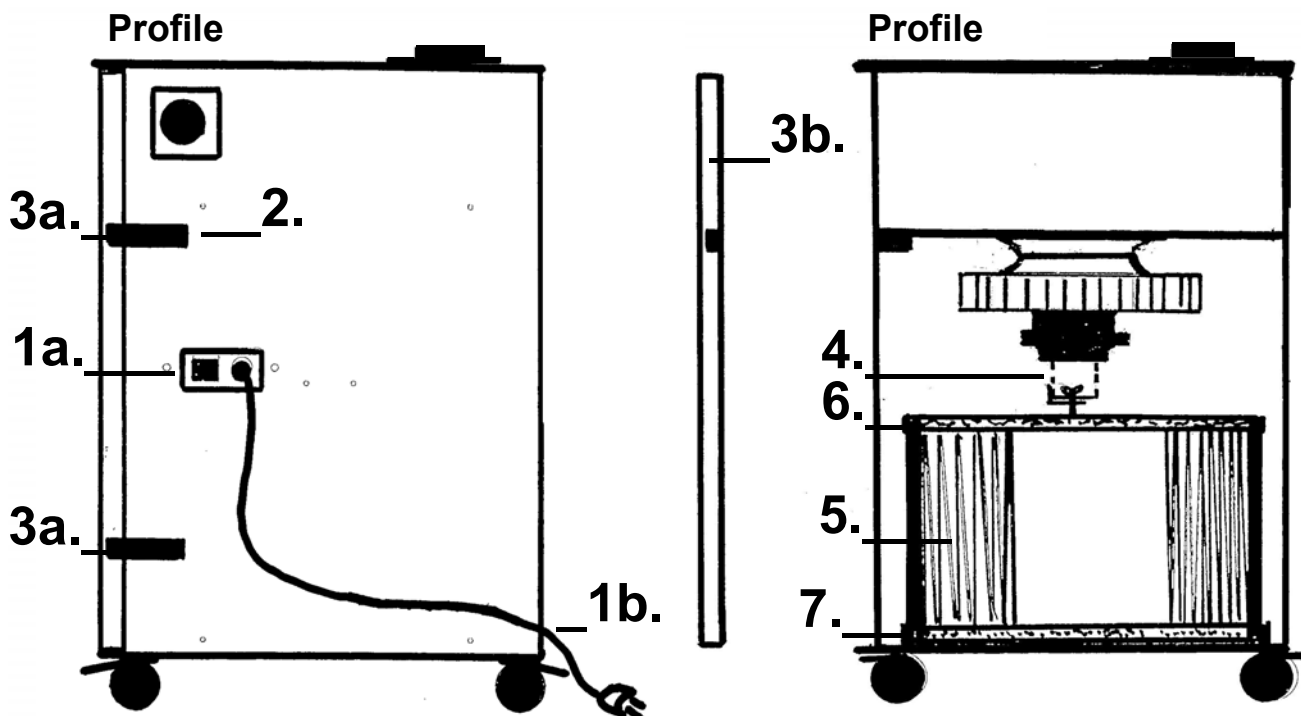
2xd..75 1.3m



1. Door with 4xExenter Locks. The 2 Top Exenter Locks are fixed with Bolts to avoid opening by mistake. The Door has a Safety Braker which cuts the current when the Door is opened.
2. Air volume Adjustment Knob.
3. On/off Switch.
4. Cable with Plug.
5. Castors with Brakes (4pcs.).
6. Handle.
7. LABBE-400E1 Topside.
8. LABBE-400E2 Topside.
9. M8 Pop-Nuts (4pcs.) for 1 Flexa/Chemikus Extraction-Arm d.100mm. 1m/1.3m/1.6m.
10. M8 Pop-Nuts (8pcs.) for 2 Flexa/Chemikus Extraction-Arms d.75mm. 1/1.3/1.6m.
11. Fan with EC Motor 1-phase/178W/220V/50Hz.
12. Fan Bracket.
13. Alu-Mesh Prefilter in the top of the HEPA H14 Filter Box (washable).
14. HEPA H14 Filter Box (8m<sup>2</sup>).
15. Active Carbon Filter Fleece in the bottom of the HEPA H14 Filter Box.
16. HEPA Box Holder.
17. Electric Box.

## 1.4 Change of Filter.

### LABBE- 400 Extractor-Filter.



### Recommended Steps for changing the Filters.

1. Switch off the Unit and Disconnect the Plug.  
Use adequate Safety Clothing!
2. Loosen the Safety Bolts on the Two top Exenter Locks.
3. Open the 4 Exenter Locks on the Door and lift it off. Place it in a safe place.
4. Loosen the Two Wing Bolts on the HEPA Box Holder and take it out. Place it in a safe place.
5. Pull out the Filter Box.
6. Take out the Alu-Mesh Prefilter of the Top and Clean it.
7. Take out the Active Carbon Fleece of the Bottom.
8. Take a Replacement HEPA H14 Box and put the Alu-Mesh Prefilter(6) into the top and a new Active Carbon Fleece(7) in the Bottom of it. Put the HEPA H14 Box(5) back.
9. Put in the Filter Holder(4) and tighten the Wing Bolts.
10. Mount the Door(3b) and lock it with the 4 Exenter Locks.
11. Fix the Door with the Two Safety Bolts (2).
12. The Unit is ready for use again.
13. Dispose of the old Filters according to Local Laws and Regulations.

## **2.0 Maintenance**

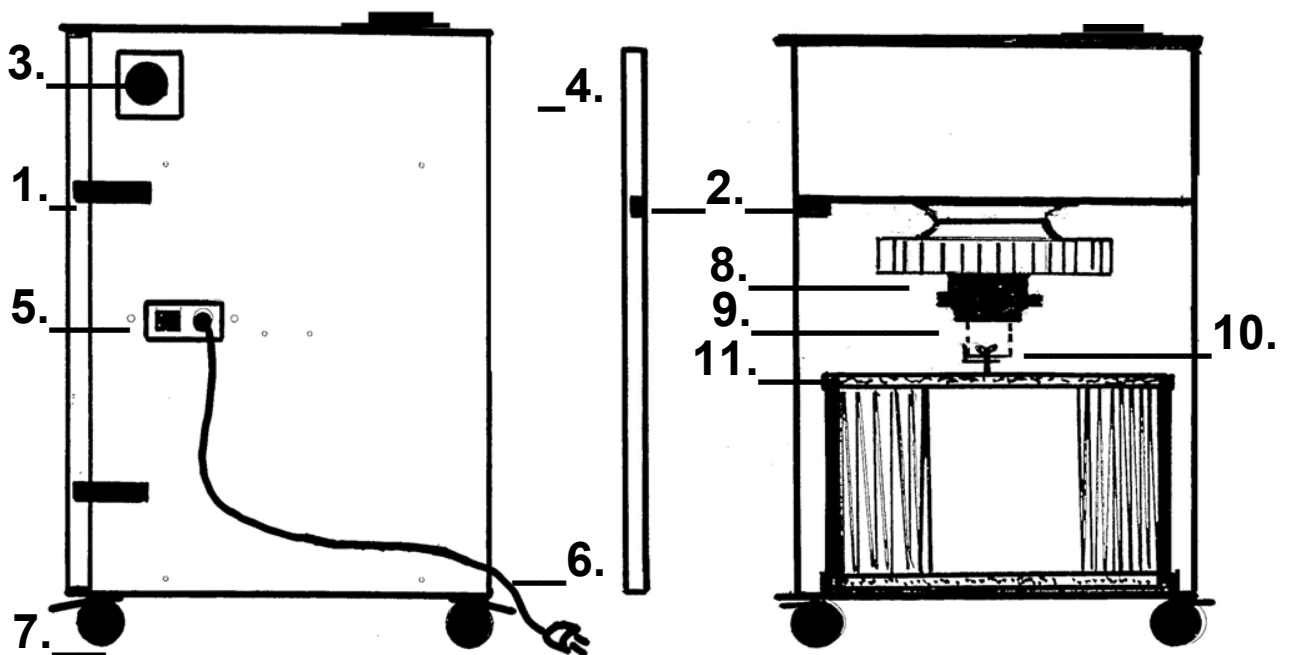
### **2.1 General Information.**

The LABBE-400 Extractor-Filters are robust and normally don't need much maintenance. However the following should be checked at least 2 times a year.

- 1. Check that all bolts are tight.**
- 2. Check if the extraction is good enough. If not please see "1.5 Change of Filter" above.  
If the work situation has changed. You can install an Active Carbon Filter Cartridge 10Ltr. (P-832) instead.**
- 3. Check the Electric Cable. If there are damages on it, you have to change it. Use Alfi original spare parts. A certified Electrician has to do the change.**
- 4. Check that the Extraction-Arms are easy to move and that they stay in position. If not tighten the friction joints.**



## 2.2 Spare Parts LABBE-400 Extractor-Filters.



**When ordering Spare Parts please specify:**

- a. Name and P-number of Your Product.**
- b. Number and Text from below.**
- c. Quantity of each Spare Part.**

- 1. Door with 4xExenter Locks. Complete with Part of Safety Braker.**
- 2. Safety Braker Complete(for Door and LABBE Box).**
- 3. Speed Adjustment Unit for EC Motor Complete.**
- 4. Inlet Box with 3xdia.99mm Inlets.**
- 5. Electric Box with Switch and Cable with Plug.**
- 6. Cable 4m with Plug.**
- 7. Castor with Brake (1pc.).**
- 8. Fan with EC Motor 1-phase/220W/178W/50Hz.**
- 9. Fan Holder.**
- 10. HEPA Box Holder with 2xWing Bolts.**
- 11. Alu-Mesh Prefilter.**



### **Declaration of conformity**

We, J. Plymoth AB, declare under our sole responsibility that the product lines **MF-F9/HEPA, MF-Active Carbon, MF-Eco/F9, MF-Eco/HEPA, MF-Filter-Tables, MF-Eco Filter-Tables, FK-Mesa Backdraft Filter-Tables, MKF Filter-Tables, Labbe, MF-Lab, MF-Eco Lab, CF Central Filters, Mobo-Oil, Denta-Flex, Fica-Flex and VBF-Office** to which this declaration relates is in conformity with Directives 2006/42/EC, 2014/30/EU, 2011/65/EU and Standards EN 60204-1:2006, EN ISO 12100:2010, EN ISO 15012-1:2013, EN 61000-6-2:2005, EN 61000-6-3:2007, EN ISO 20607:2019.

J. Plymoth AB  
Traryds Allen 4D  
28772 Traryd

87

A handwritten signature in blue ink, appearing to read 'Jenny Nilsson', is written over the printed name and title.

Jenny Nilsson  
Verkställande Direktör

2023-01-01