

# User Manual

Labbe-400



Labbe-400/Kit3



Labbe-400/Kit2



## Labbe-400 Extractor-Filter System.

1-phase/EC Extractor-Filter for 1-3 dia. 75/100mm Flexa/Chemikus Table Extraction-Arms.

All Models with Alu-Mesh Prefilter, HEPA H14(8m<sup>2</sup>) Filter Box and Active Carbon Fleece.

For Fine Dust and Fume.

Stepless Extraction volume 0-ca.400m<sup>3</sup>/h.

Only 630mm high including Castors.

Fits under the table. Easy to pull out.

Clean Air Outlet at the bottom.

Cleans, when in use. the Room from Virus/Bacteria (99.995% Efficiency).

# **Table of Contents**

## **1.0 General Information**

### **1.1 Safety Note**

### **1.2 Range of Application**

### **1.3 Unite Description**

### **1.4 Change of Filter**

## **2.0 Maintenance**

### **2.1 General Information**

### **2.2 Spare Parts**

## **1.0 General Information.**

A LABBE-400 Extractor-Filter and 1-3 dia.75 or 100mm Extraction-Arms is an easy and efficient way to create a work place with clean air in all situations where light and fine dust and fume is generated.

A LABBE-400 Extractor-Filter System is simple to install. Mount the Extraction-Arm/Arms on the side of the work table with the included holder. You can also make a hole in the table for more permanent installations. The bracket for hole mounting is included in the Flexa/Chemikus Extraction-Arms.

Connect one end of the dia.100mmx3m Hose, which come with the Kit, on the Inlet of the Extraction-Arm and mount the other end on the Backside of the Labbe.The Inlet Box with 3xdia.100mm Inlets is included in the Labbe 400 (P-947). If not all inlets are used you close the unused with the Lid/Lids which are included in the LABBE-400 standard delivery.

The LABBE-400 unit is easy to put at a suitable place due to the 4 Castors with Brakes.

When the extraction not is good enough it is easy to replace the Filters.

Pull the unit out from under the Table and just open the door.The Door has 4 expander locks to make it easy to open and lock. 4 locks make sure that the door is tight.

To replace the HEPA H14 Filter Box you open the door, loosen the Filter Box Holder and just pull the box out. Test if the extraction will be good enough if you clean the Alu-Mesh Prefilter in the top of the HEPA Filter Box. If the extraction is still not good enough you have to replace the HEPA Filter Box and the Active Carbon Filter Fleece (See 1.5 Below).

### **1.1 Safety Note.**

**Always disconnect the electricity supply before opening the LABBE-Unit.**

Don't exhaust Sparks or Poisenous Dust.

Use adequate safety clothing when replacing dirty filters.

Dispose of used Filters according to local laws and regulations.

### **1.2 Range of Application.**

The LABBE-400 Extractor Filter is designed for work situations where smaller amounts of fine fume and dust is generated. The HEPA H14 Filter has over 99.995%. efficiency. The filtered air can be recirculated into the the room as long it is not against local laws and regulations.

## 1.3 Unit Description.

### LABBE-400 Extractor-Filter System for 1-3 Extraction-Arms.



#### Temporary or Stationary Work Stations with Clean Air.

The LABBE-400 System will solve your "Health and Safety" problems regarding Clean Air.

It is a "Plug and Play" Extractor-Filter System. The very flexible Flexa/Chemikus Extraction-Arm/Arms will capture Fine Dust and Fume before somebody risks inhaling it (For Extraction-Arms see "Laboratory").

It is easy to mount the Extraction-Arm/Arms on the edge of a table with the included table brackets. Or you can make a hole in the table and mount the Extraction-Arm permanently. Connect the Arms to the inlets on the LABBE-400 with dia.100mm hoses and the system is ready for use. The exhausted air will be cleaned by the built in HEPA H14 Filter and returned to the premises.

You can have a complete LABBE-400/Kit with 1 dia.100mm/1.3m Flexa Extraction-Arm or 2-3 dia.75mm/1.3m Flexa Extraction-Arms. 3m dia.100mm Hose and Hose Clamps for each arm is included.

#### Virus and Bacteria Airpurifier.

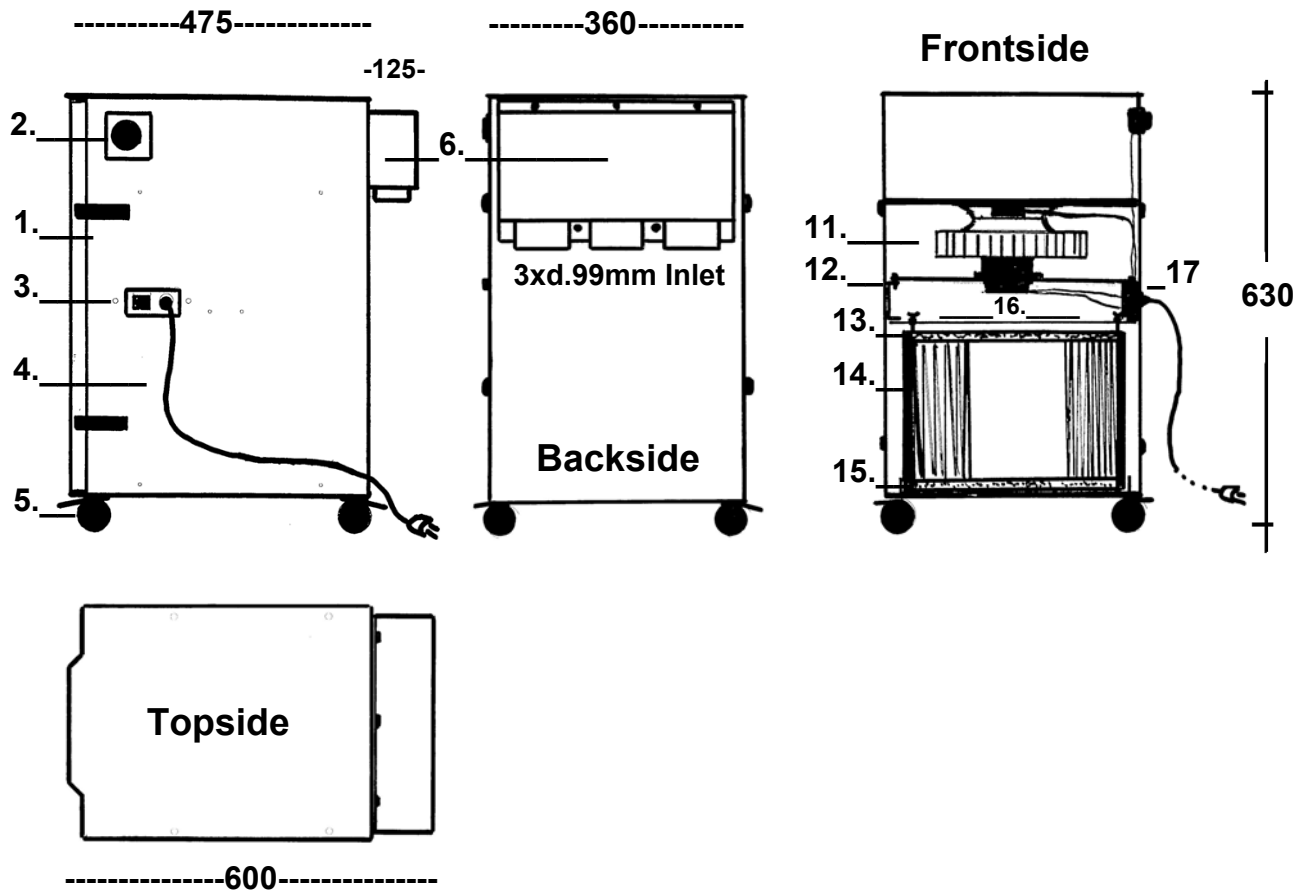
The LABBE-400 is not just a system for capturing contaminated air directly at the source but also an Airpurifier. It's HEPA H14(8m<sup>2</sup>) Filter filtrates Virus/Bacteria with 99.995% efficiency. With its capacity of 400m<sup>3</sup>/h it will clean all the air 3 times/h in a 50m<sup>2</sup> room. Less sick leave caused by Colds and Flues.

**Alu-Mesh, HEPA H14 (8m<sup>2</sup>) and Active Carbon Fleece.** The HEPA H14 Filter is equipped with a Prefilter of Alu-Mesh (washable) and an Afterfilter of Active Carbon Fleece, for filtration of everyday odours.

**EC Fan with variable Air Volume.** The LABBE-400 has an EC Fan which can be regulated with the easy to reach control. The air volume can be adjusted from 0-400m<sup>3</sup>/h. Low noise level and energy consumption.

Labbe-400. EC/1-ph./178W/220V/50Hz. HEPA H14(8m <sup>2</sup> ), Alu-Mesh and AC Fleece. 630mm	P-947
LABBE-400/Kit 1. LABBE-400 +1xFlexa d.100mm/1m+ 1Xd.100mm/3m Hose+2 Hose Clamps.	P-948
LABBE-400/Kit 2. LABBE-400 +2xFlexa d.75mm/1m+ 2xd.100mm/3m Hoses+4 Hose Clamps.	P-949
LABBE-400/Kit 3. LABBE-400 +3xFlexa d.75mm/1m+ 3xd.100mm/3m Hoses+6 Hose Clamps.	P-950
Replacement HEPA H14 Filter Box 8m <sup>2</sup> (99.995%) for LABBE-400, Denta-Flex and Fika-Flex.	P-954
Replacement Active Carbon Filter Fleece (Set of 5 pcs.) for LABBE-400, Denta-Flex and Fika-Flex.	P-953

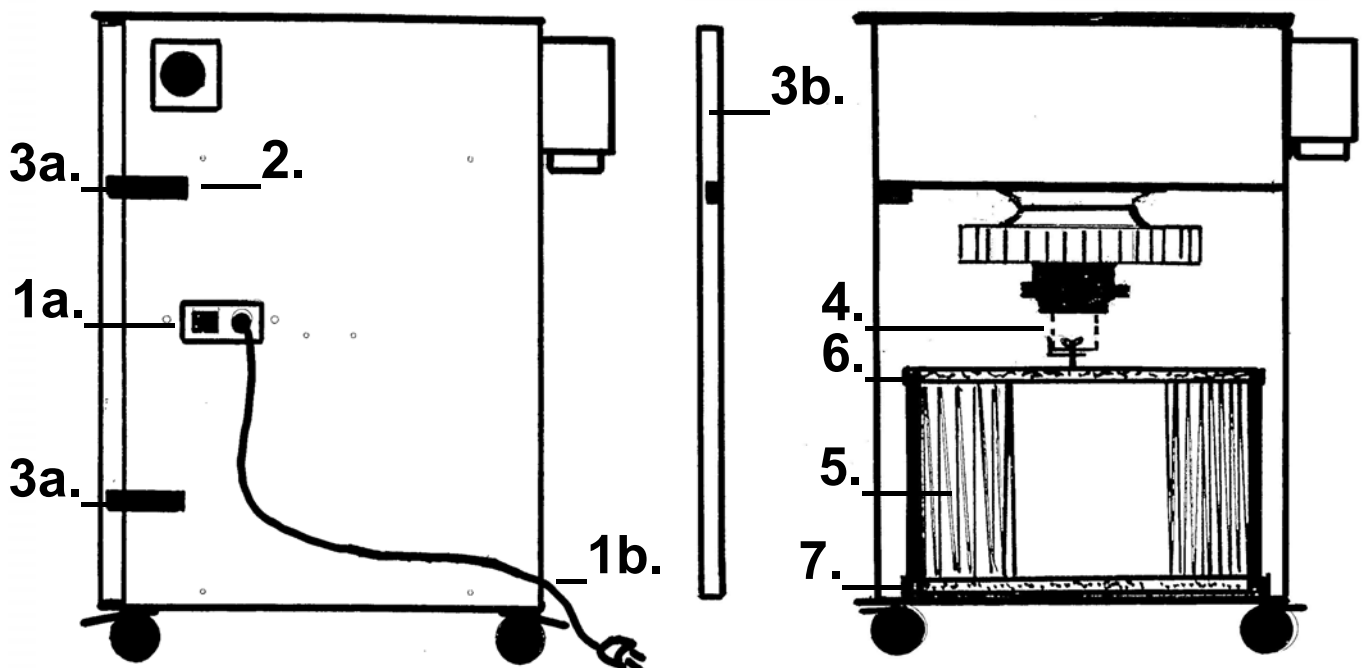
### 1.3.1 Design and Meassures (mm.): LABBE-400.



1. Door with 4xExenter Locks. The 2 Top Exenter Locks are fixed with Bolts to avoid opening by mistake. The Door has a Safety Braker which cuts the current when it is opened.
2. Air volume Adjustment Knob.
3. On/off Switch.
4. Cable with Plug.
5. Castors with Brakes (4pcs.).
6. Inlet Box with 3xdia.99mm Inlets for dia.100mm Hose.
7. LABBE-400E1 Topside.
8. LABBE-400E2 Topside.
9. M8 Pop-Nuts (4pcs.).
10. M8 Pop-Nuts (8pcs.).
11. Fan with Impellar. EC Motor 1-phase/178W/220V/50Hz
12. Fan Bracket.
13. Alu-Mesh Prefilter in the top of the HEPA H14 Filter Box (washable).
14. HEPA H14 Filter Box (8m2).
15. Active Carbon Filter Fleece in the bottom of the HEPA Filter Box.
16. HEPA Box Holder.
17. Electric Box.

## 1.4 Change of Filter.

### LABBE- 400 Extractor-Filter



### Recommended Steps for changing the Filters.

1. Switch off the Unit and Disconnect the Plug.  
Use adequate Safety Clothing!
2. Loosen the Safety Bolts on the Two top Exenter Locks.
3. Open the 4 Exenter Locks on the Door and lift it off. Place it in a safe place.
4. Loosen the Two Wing Bolts on the HEPA Box Holder and take it out. Place it in a safe place.
5. Pull out the Filter Box.
6. Take out the Alu-Mesh Prefilter of the Top and Clean it.
7. Take out the Active Carbon Fleece of the Bottom.
8. Take a Replacement HEPA H14 Box and put the Alu-Mesh Prefilter(6) into the top and a new Active Carbon Fleece(7) in the Bottom of it. Put the HEPA H14 Box(5) back.
9. Put in the Filter Holder(4) and tighten the Wing Bolts.
10. Mount the Door(3b) and lock it with the 4 Exenter Locks.
11. Fix the Door with the Two Safety Bolts (2).
12. The Unit is ready for use again.
13. Dispose of the old Filters according to Local Laws and Regulations.

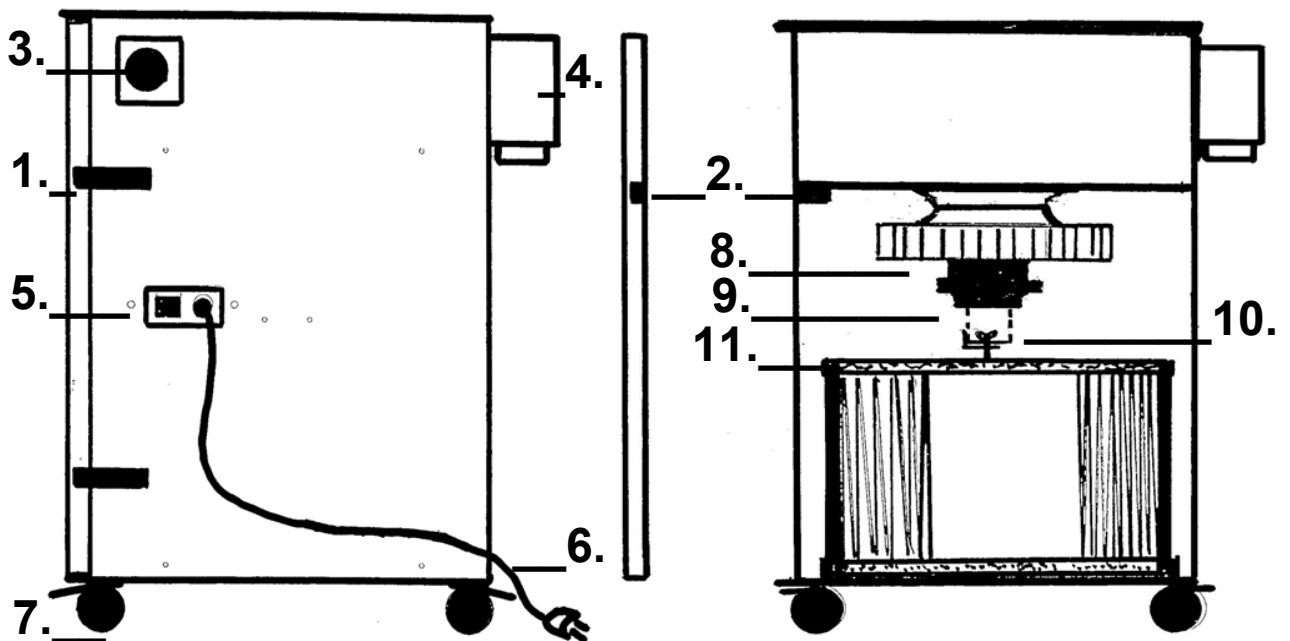
## **2.0 Maintenance**

### **2.1 General Information.**

The LABBE-400 Extractor-Filters are robust and normally don't need much maintenance. However the following should be checked at least 2 times a year.

- 1. Check that all bolts are tight.**
- 2. Check if the extraction is good enough. If not please see "1.5 Change of Filter" above.  
If the work situation has changed. You can install an Active Carbon Filter Cartridge 10Ltr. (P-832) instead.**
- 3. Check the Electric Cable. If there are damages on it, you have to change it. Use Alfi original spare parts. A certified Electrician has to do the change.**
- 4. Check that the Extraction-Arms are easy to move and that they stay in position. If not tighten the friction joints.**

## 2.2 Spare Parts LABBE-400 Extractor-Filters.



**When ordering Spare Parts please specify:**

- a. Name and P-number of Your Product.**
- b. Number and Text from below.**
- c. Quantity of each Spare Part.**

- 1. Door with 4xExenter Locks. Complete with Part of Safety Braker.**
- 2. Safety Braker Complete(for Door and LABBE Box).**
- 3. Speed Adjustment Unit for EC Motor Complete.**
- 4. Inlet Box with 3xdia.99mm Inlets.**
- 5. Electric Box with Switch and Cable with Plug.**
- 6. Cable 4m with Plug.**
- 7. Castor with Brake (1pc.).**
- 8. Fan with EC Motor 1-phase/220W/178W/50Hz.**
- 9. Fan Holder.**
- 10. HEPA Box Holder with 2xWing Bolts.**
- 11. Alu-Mesh Prefilter.**





### Declaration of conformity

We, J. Plymoth AB, declare under our sole responsibility that the product lines **MF-F9/HEPA, MF-Active Carbon, MF-Eco/F9, MF-Eco/HEPA, MF-Filter-Tables, MF-Eco Filter-Tables, FK-Mesa Backdraft Filter-Tables, MKF Filter-Tables, Labbe, MF-Lab, MF-Eco Lab, CF Central Filters, Mobo-Oil, Denta-Flex, Fica-Flex and VBF-Office** to which this declaration relates is in conformity with Directives 2006/42/EC, 2014/30/EU, 2011/65/EU and Standards EN 60204-1:2006, EN ISO 12100:2010, EN ISO 15012-1:2013, EN 61000-6-2005, EN 61000-6-3:2007, EN ISO 20607:2019.

J. Plymoth AB  
Traryds Allen 4D  
28772 Traryd

87

A handwritten signature in blue ink, appearing to read 'Jenny Nilsson', is written over the printed name and title.

Jenny Nilsson  
Verkställande Direktör

2023-01-01