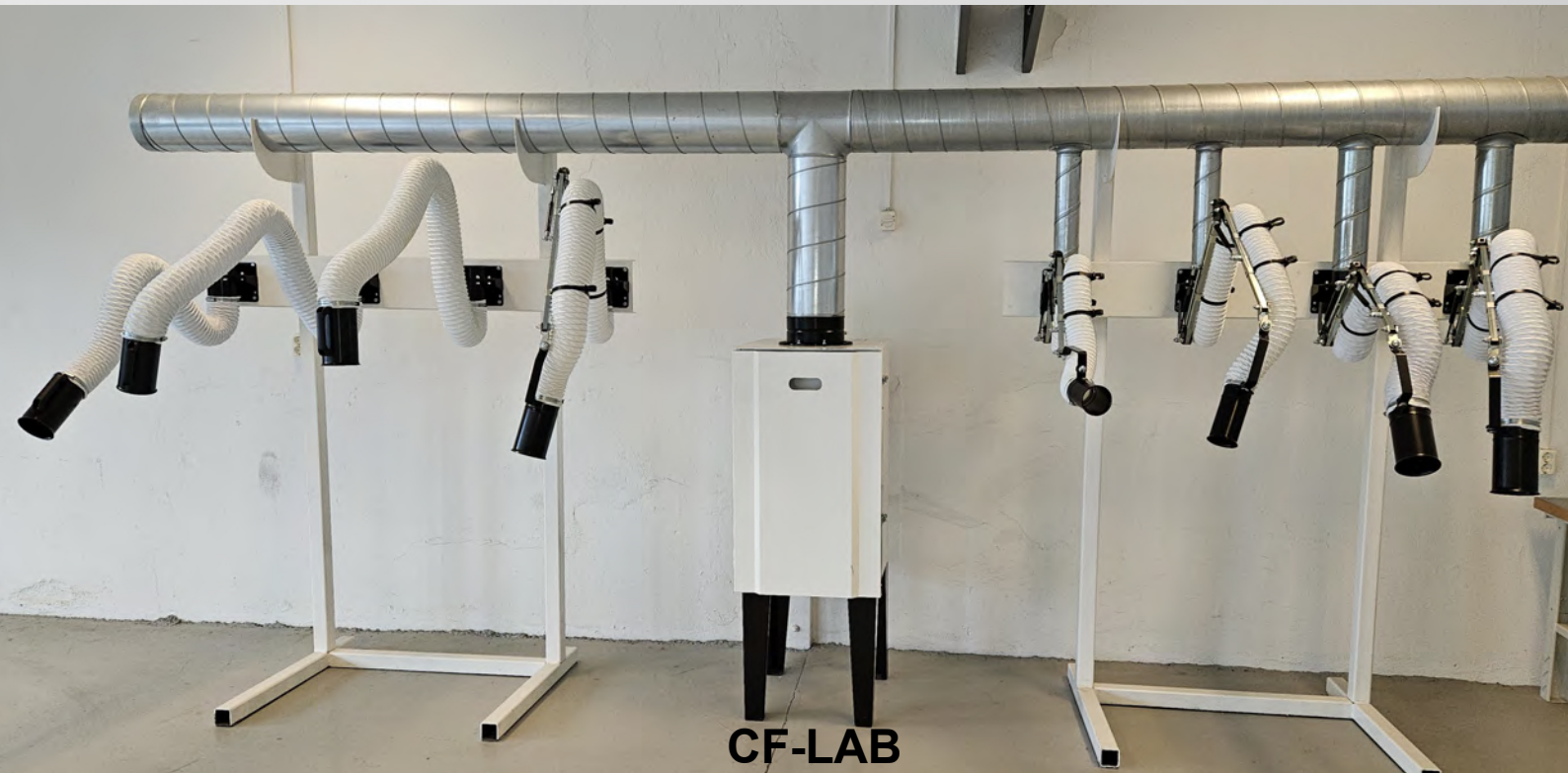


# Technical Data



## CF-LAB/F9 or CF-LAB/HEPA H13.

### CF-LAB Central Extractor-Filter with F9 or HEPA H13 Filter.

- Extractor-Filter for 1-2 dia.160mm or 4-8 dia. 75/100mm Extraction-Arms.
- Models with F9 Filter Cartridge (12m<sup>2</sup>) or HEPA H13 Filter Box (9m<sup>2</sup>).
- F9 Models are suitable for filtration of Light Fume and Dust.
- HEPA H13 Models are for Fume and Fine Dust.
- Can be changed from F9 Filter to HEPA H13 Filter if needed.
- Initial Extraction volume 1400-1800m<sup>3</sup>/h.
- Clean Air Outlet at the Bottom of the Unit for recirculating into room.
- 1-Phase or 3-Phase models.

## **General Information.**

A CF-LAB Extractor-Filter and 1-2 dia.160mm Extraction-Arms is an easy and efficient way to create a work place with clean air.

For Contaminated air generated over a small area you can connect 4-8 dia.75mm or 100mm Extraction-Arms.

A CF-LAB Extractor-Filter System is simple to install. Mount the Extraction-Arm/Arms on the wall. Mount dia.160mm or dia.75/100mm ducts upwards to a dia.200mm Horizontal Ducting. Let it go to an area where the CF-LAB Unit can be placed. Go down with a dia.200mm Duct to the CF-LAB. Bolt the unit to the floor and just plug it into an electric socket (single phase models) or let a certified electrician install it. Ready for use!

CF-LAB/F9 Extractor-Filters can be used for all sort of work where extraction and filtration of Fume and Light Dust is needed. Perfect for Laboratories and Schools.

The models with HEPA H13 Filter Box are suitable for Fine Dust. The Filter Box has a Prefilter of Fleece to prolonge the lifetime of the HEPA Filter.

The Door has 4 expander locks to make it easy to open and lock. 4 locks make sure that the door is tight.

To replace the F9 Filter Cartridge you open the door and pull it out and replace it with a new.

To replace the HEPA H13 Filter Box you open the door and just pull the box out. Test if the extraction will be good enough if you change the prefilter, located in the top of the HEPA Filter Box. If the extraction is still not good enough you have to replace the HEPA Filter Box.

## **Safety Note.**

**Always disconnect the electricity supply before opening the CF-Unit.**

Don't exhaust Sparks or Poisenous Dust.

Use adequate safety clothing when replacing dirty filters.

Dispose of used Filters according to local laws and regulations.

## **Range of Application.**

The CF-LAB Extractor Filter is designed for work situations where smaller amounts of fume and dust is generated. The F9 model has a filtration efficiency of 99% and the HEPA H13 of 99.95%. The filtered air can be recirculated into the the room as long as it is not against local laws and regulations.

# Unit Description.

## CF-LAB/F9 and CF-LAB/HEPA H13 are Complete Units with Fan and Filter.

### Suitable for 1-2 Flexi Extraction-Arms d.160mm, or 4-8 Flexa/Chemikus Extraction-Arms dia.75mm or 100mm.

#### CF-LAB/F9 is for Fume and Light Dust.

It is equipped with a 12m<sup>2</sup> F9 Filter Cartridge and a built in Fan with aluminium impeller. The legs are 0.5m. The air volume at the diameter 199mm inlet is ca.1800m<sup>3</sup>/h.

#### CF-LAB/HEPA H13 is for Fume and Fine Dust.

It is equipped with a HEPA H13 (9m<sup>2</sup>) Filter Box with a Pre-Filter Fleece. It can be used for fine Dust and Light Fume. The unit is also cleaning the room from Virus and Bacteria.

#### Replacement Filter Cartridge.

It is time to put in a Replacement Filter when the extraction doesn't catch the fume or dust in a satisfactoring way. It just takes a few minutes to change.

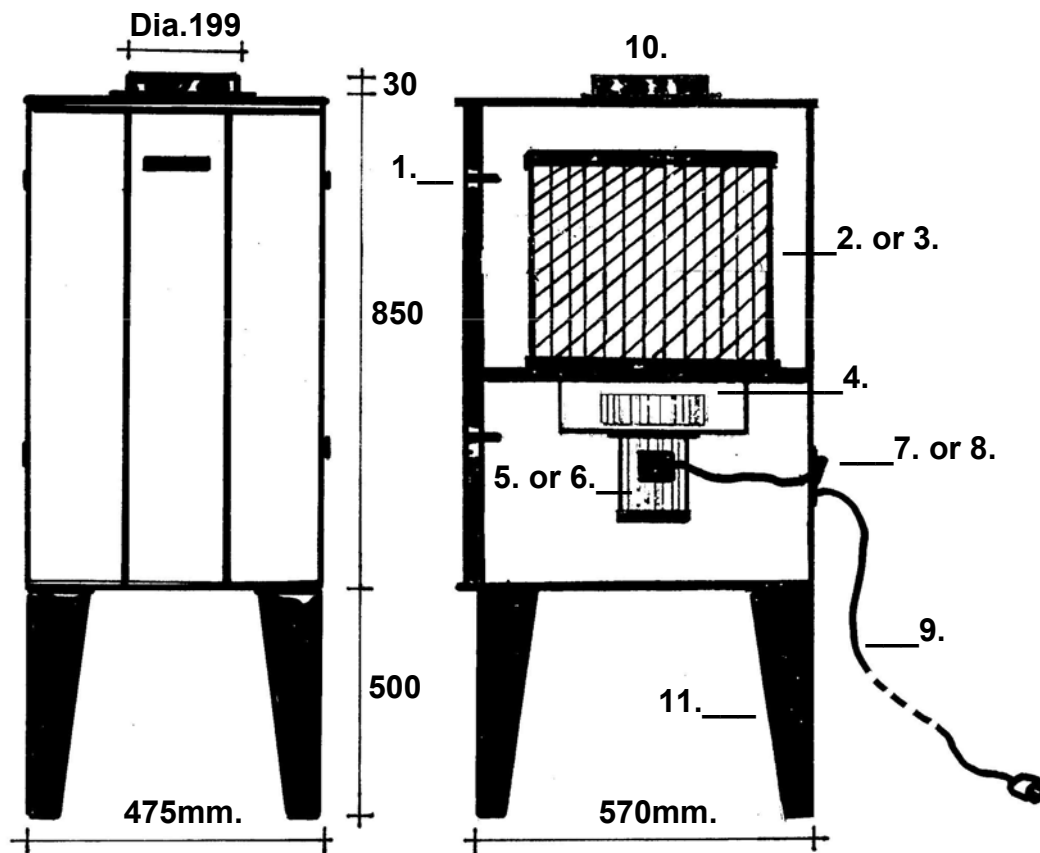
**Capacity.** 4-8 Flexa/Chemikus Extraction Arms (d. 75-100mm) can be connected to a CF-LAB Extractor Filter or 1-2 Flexi Extraction-Arms (1.5m or 2m/dia.160mm).

**Installation.** The inlet is dia.199mm. Use d.200mm Vertical/ Horizontal ducting, from the CF-LAB Unit. Go with dia. 75/100mm ducting down to Flexa/Chemikus Extraction Arms or dia.160mm ducting down to Flexi Extraction-Arms.



	Art. No.
CF-LAB/F9. ~1/1.1kW/220V/50Hz. F9 Filter(12m <sup>2</sup> ). Inlet 199mm. 4 Legs (0.5m).	P-1008
CF-LAB/F9. ~3/1.1kW/400V/50Hz. F9 Filter(12m <sup>2</sup> ). Inlet 199mm. 4 Legs (0.5m)	P-1009
CF-LAB/HEPA H13 ~1/1.1Kw/220V/50Hz. H13 Filter(9m <sup>2</sup> ). Inlet 199mm. 4 Legs (0.5m)	P-1010
CF-LABHEPA H13 ~3/1.1Kw/400V/50Hz. H13 Filter(9m <sup>2</sup> ). Inlet 199mm. 4 Legs (0.5m)	P-1011
F9 Replacement Filter Cartridge 12m <sup>2</sup> . For MF, CF, MF-Lab, MF-Filter Tables (High).	P-541
HEPA H13/W3 Filter Box 9m <sup>2</sup> . For MF, CF, CF-Lab (400x505x200mm).	P-577

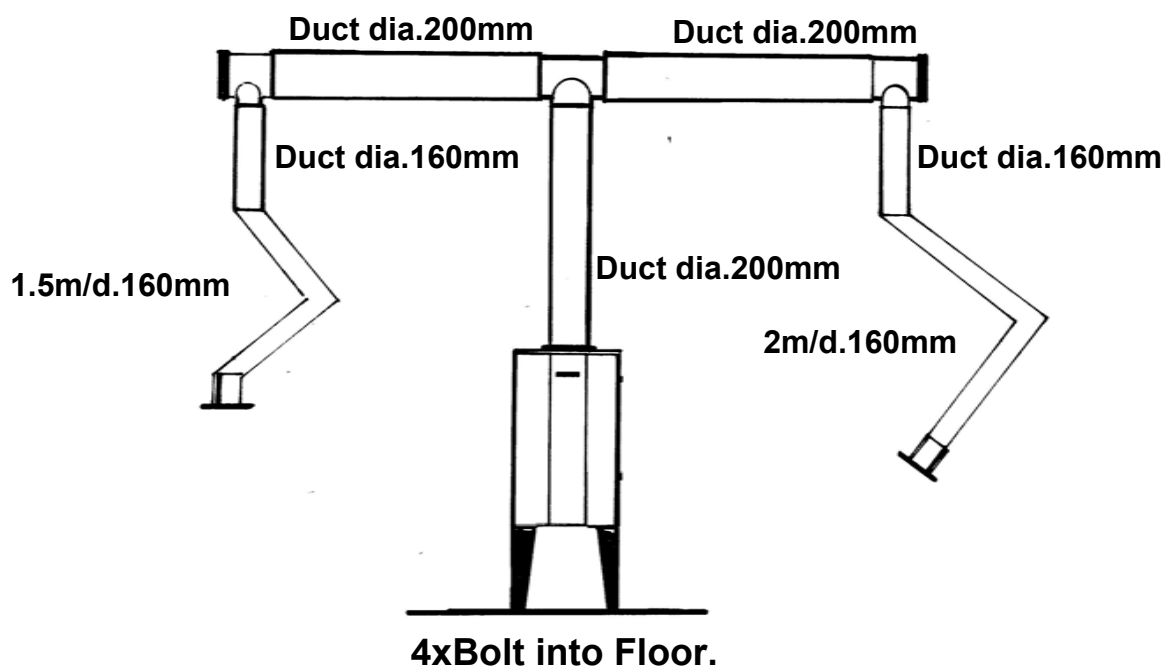
## CF-LAB Extractor-Filter (F9 or HEPA H13).



1. Door with 4xExenter Locks.
2. F9 Filter Cartridge 12m<sup>2</sup>.
3. HEPA H13 Filter Box 9m<sup>2</sup>. with Prefilter Fleece.
4. Impellar.
5. Electric Motor 1-phase/1.1kw/220V/50Hz.
6. Electric Motor 3-phase/1.1kw/400V/50-60Hz.
7. On/Off Switch 1-phase with overload protection.
8. Connection Box for 3-phase versions.
9. Cable and Plug for 1-phase versions.
10. Inlet Flange outside dia.199mm.
11. Legs 500mm.

## Installation.

**2x160mm Extraction-Arms max.2m length (Flexi or Super-Max).**



**4-8 dia.75 or dia.100mm Extraction-Arms (Flexa or Chemikus).**



**From CF-LAB Unit. For Vertical and Horizontal ducting use dia.200mm Duct. From Horizontal Ducting to Extraction-Arms use dia.75mm or 100mm Duct.**



### Declaration of conformity

We, J. Plymoth AB, declare under our sole responsibility that the product lines **MF-F9/HEPA, MF-Active Carbon, MF-Eco/F9, MF-Eco/HEPA, MF-Filter-Tables, MF-Eco Filter-Tables, FK-Mesa Backdraft Filter-Tables, MKF Filter-Tables, Labbe, CF-Lab, CF-Eco Lab, CF Central Filters, Mobo-Oil, Denta-Flex, Fica-Flex and VBF-Office** to which this declaration relates is in conformity with Directives 2006/42/EC, 2014/30/EU, 2011/65/EU and Standards EN 60204-1:2006, EN ISO 12100:2010, EN ISO 15012-1:2013, EN 61000-6-2:2005, EN 61000-6-3:2007, EN ISO 20607:2019.

J. Plymoth AB  
Traryds Allen 4D  
28772 Traryd

87

A handwritten signature in blue ink, appearing to read 'Jenny Nilsson', is written over the printed name and title.

Jenny Nilsson  
Verkställande Direktör

2023-01-01