

# Technical Data



## **CF-ECO LAB/F9 or CF-ECO LAB/F9+HEPA H13. With dia.75 or 100mm Flexa/Chemikus Extraction-Arms**

### **CF-ECO LAB Extractor-Filter with F9 or F9+HEPA H13 Filter.**

- Extractor-Filter for 1-2 dia.160mm or 4-8 dia.75/100mm Extraction-Arms.
- Models with F9 Filter Cartridge (9m<sup>2</sup>) or F9+HEPA H13 Filter (9+9m<sup>2</sup>).
- F9 Models are suitable for filtration of Light Fume and Dust.
- HEPA H13 Models are for Light Fume and Fine Dust.
- The built in Jet-Pulse Cleaning System, for the F9 Filter-Cartridge, can clean it up to 100 times before it needs to be replaced.
- Initial Extraction volume 1400-1800m<sup>3</sup>/h at the dia.199mm Inlet.
- Clean Air Outlet at the Bottom of the Unit for recirculation into room.
- 1-Phase or 3-Phase models.

\*Use Google Translate to translate to your own language. [translate.google.com](https://translate.google.com)

## **General Information.**

A CF-ECO LAB/F9 or CF-ECO LAB/F9+HEPA H13 Extractor-Filter and 1-2 d.160mm Extraction-Arms is an easy way to create a work place with clean air.

For Contaminated air generated over a smaller spot area you can connect 4-8 dia.75mm or 100mm Extraction-Arms.

The F9 Filter-Cartridge(9m<sup>2</sup>) can be cleaned up to 100 times with the built in Jet-Puls Cleaning System. Keeps Filter Costs down.

A CF-ECO Extractor-Filter System is simple to install. Mount the Extraction-Arm/ Arms on the wall. Mount dia.160mm or dia.75/100mm ducts upwards to a dia.200mm Horizontal Ducting. Let it go to an area where the CF-ECO Unit can be placed. Go down with a dia.200mm Duct to the CF-ECO. Bolt the unit to the floor and just plug it into an electric socket (single phase models) or let a certified electrician install it (3-phase Models). Ready for use!

CF-ECO LAB/F9 (9m<sup>2</sup>) is for Laboratories and Schools with light Fume and Dust.

CF-ECO LAB/F9 (9m<sup>2</sup>)+HEPA H13 Filter Box (9m<sup>2</sup>) are suitable for Light Fume and Fine Dust. The Cleanable F9 Filter works as a Prefilter and will prolonge the lifetime of the HEPA Filter.

The Door has 4 expander locks to make it easy to open and lock. 4 locks make sure that the door is tight.

## **Safety Note.**

**Always disconnect the electricity supply before opening the CF-Unit.**

Don't exhaust Sparks or Poisenous Dust.

Use adequate safety clothing when replacing dirty filters.

Dispose of used Filters according to local laws and regulations.

## **Range of Application.**

The CF-ECO LAB Extractor Filter is designed for work situations where smaller amounts of fume and dust is generated. The F9 model has a filtration efficiency of 99% and the HEPA H13 of 99.95%. The filtered air can be recirculated into the the room as long as it is not against local laws and regulations.

# Jet-Pulse Cleaning System.

## JET-Pulse Cleaning System

The **Jet-Pulse cleaning** system is developed in the United states for cleaning of filter cartridges. It is considered better than ordinary "Back-Pulse" cleaning systems. The **Jet-Pulse cleaning** is faster and more efficient.

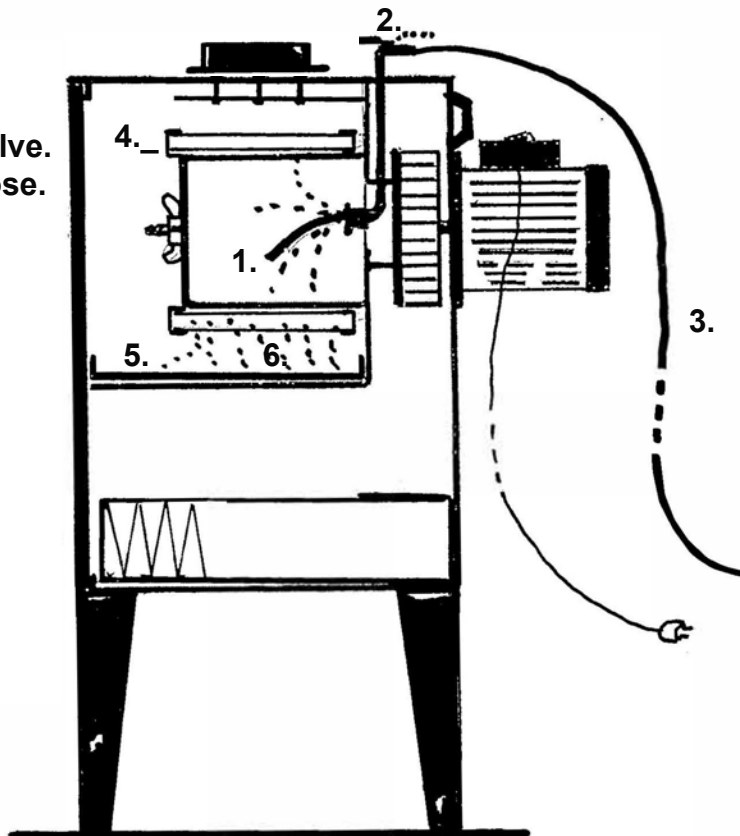
The heart of the **Jet-Pulse cleaning** system is a specially designed oscillating rubber nozzle. It is oscillating under 6 Bar compressed air pressure inside the filter cartridge. It is hammering the inside of the filter cartridge so that dust on the surface is falling off. At the same time it is blowing out the fine dust which has penetrated the surface of the filter cartridge. The result is a cartridge as clean as new.

## Explosion safety.

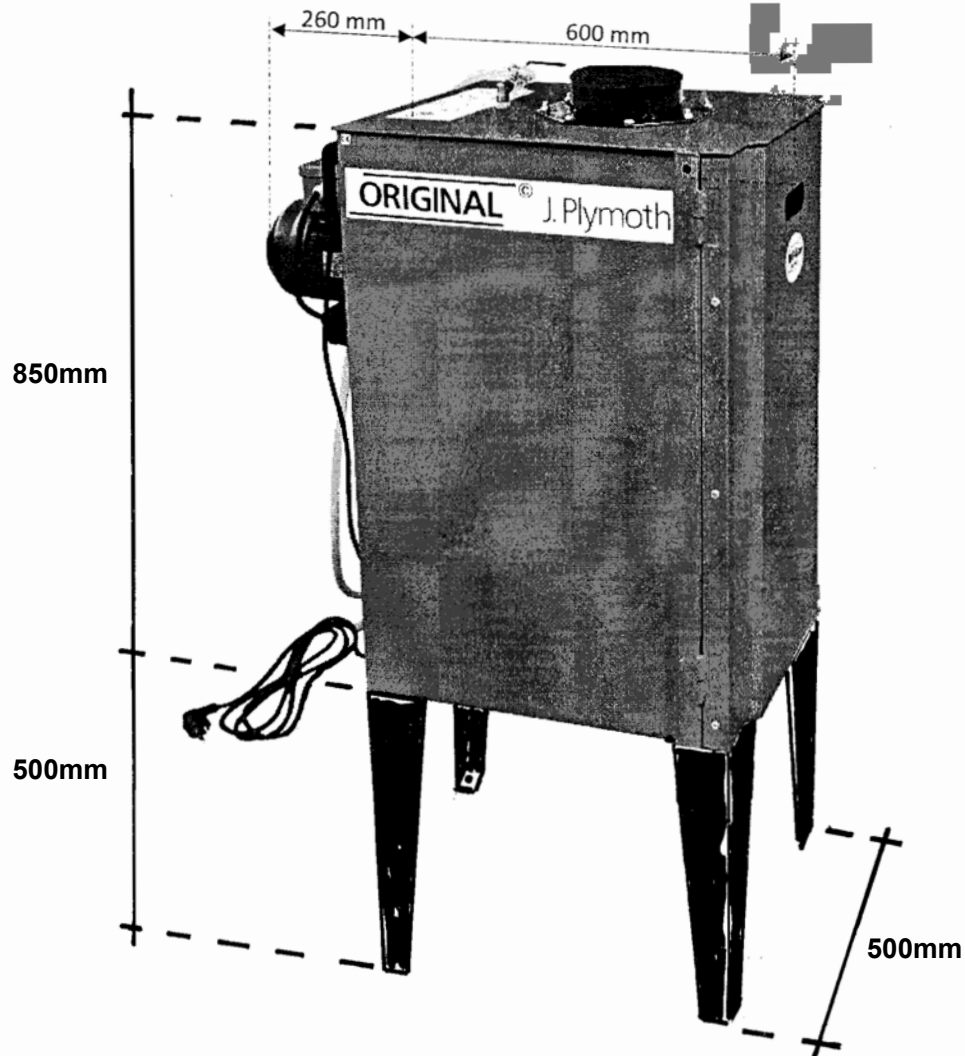
To minimise the risk of explosions in a filter unit many countries have now laws saying you have to empty the dust bin after every cleaning. The CF-ECO Extracor-Filter Units with built in **Jet-Pulse Cleaning** Systems have all a lightweight dustbin which is very handy and fast to empty after the cleaning process.

As an extra safety feature all ECO Filter units have the electrical parts outside the unit to avoid that electricity gets in contact with dust or gas.

1. Rubber Nozzle.
2. Compressed Air Valve.
3. Compressed Air Hose.
4. F9 Filter Cartridge.
5. Dust Bin.
6. Dust.



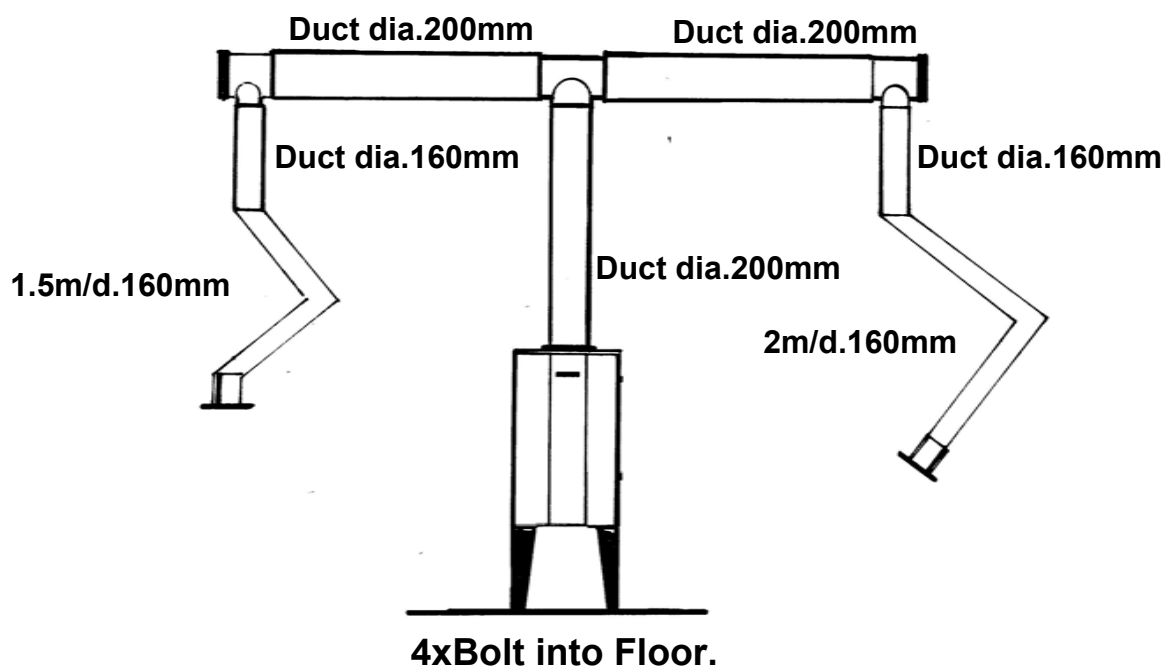
## CF-ECO Measures.



Techical Data		
Volt/Phase	230 Volt / 1~	400 Volt / 3~
KW	1.1 kW	1.1 kW
Ampere	6.53 A	2.3 A
Revolutions/minute	2.900 R/min	
Frequency	50Hz	
	IP 55	
Weight	70 kg	
Filter	Filter Cartridge F9 (9m <sup>2</sup> )	
Extra Equipment HEPA Filter	HEPA H13 Filter Box (9m <sup>2</sup> )	
Efficiency	>99 % (HEPA 99.95%)	
Noice level (DIN 45635 T1)	ca. 70 dB(A)	
Indoor temperature	+5° C bis +35° C	

## Installation.

**2x160mm Extraction-Arms max.2m length (Flexi or Super-Max).**



**4-8 dia.75 or dia.100mm Extraction-Arms (Flexa or Chemikus).**



**Ducting from the CF-ECO Unit. For Vertical and Horizontal ducting use dia.200mm Duct. From Horizontal Ducting to Extraction-Arms use dia.75mm or 100mm Duct.**



### Declaration of conformity

We, J. Plymoth AB, declare under our sole responsibility that the product lines **MF-F9/HEPA, MF-Active Carbon, MF-HEPA/W3 18M2, MF-Eco/F9, MF-Eco/HEPA, MF-Filter-Tables, MF-Eco Filter-Tables, FK-Mesa Backdraft Filter-Tables, MKF Filter-Tables, Labbe, CF-Lab, CF-Eco Lab, CF Central Filters, Mobo-Oil, Denta-Flex, Fica-Flex and VBF-Office** to which this declaration relates is in conformity with Directives 2006/42/EC, 2014/30/EU, 2011/65/EU and Standards EN 60204-1:2006, EN ISO 12100:2010, EN ISO 15012-1:2013, EN 61000-6-2:2005, EN 61000-6-3:2007, EN ISO 20607:2019.

J. Plymoth AB  
Traryds Allen 4D  
28772 Traryd

  
Jenny Nilsson  
Verkställande Direktör

2023-01-01