

User Manual



Laboratory/High

MFK Filter-Table/HIGH. F9 or HEPA H13 or Active Carbon.

- **Downdraft Filter-Table for Standing Work Position. "Plug and Play".**
- **Fume, Dust and Gases are extracted downwards instead of being inhaled.**
- **Models with F9 Filter Box (10m²) or HEPA H13 Filter Box (9m²) or Active Carbon Filter Cartridge (30Ltr.).**
- **Fits into standard 900mm Lay-Outs.**
- **Is as standard equipped with 400mm high Side- and Back Panels with "Quick Release".**
- **Height adjustable 0.85-1m.**
- **Clean Air Outlet at the Bottom of the Unit.**

1.0 General Information.

A MFK Downdraft Filter-Table/High is an easy and efficient way to create a work friendly booth with clean air.

The High models are for a standing work position. The table top of 4mm thick steel is 0.9m(W)x0.7m(D). Fits in standard Lay-Outs. The whole unit is powder coated in White.

The table top height can be adjusted from 0.85m-1m. It is equipped with 400mm high side and back shields. Always an ergonomical work position

The unit is simple to install. Just plug it into an electric socket. Ready for use!

The contaminated air is exhausted downwards and not inhaled. Then the cleaned air is returned to the room at the bottom of the unit.

MF Downdraft Filter-Tables can be used for all sort of work where extraction and filtration of fume, dust or gases is needed. Perfect for the Laboratory, cleaning, light grinding, repairing, restoring, printing and so on.

Depending on the contaminations you can choose a MFK with either F9, HEPA H13 or Active Carbon (30Ltr.) filter. If you change the work situation you can always change to any of the other two Filter Types.

The F9 Filter Cartridge (12m²) is for dust in general and has a 99% efficiency.

The HEPA H13 Filter box (9m²) is for fine dust and has a 99.95% efficiency. It is equipped with a washable Alu Mesh prefilter.

The Active Carbon Filter Cartridge (30Ltr.) is equipped with a prefilter of fleece. For applications please see next page.

The Door has 4 expander locks to make it easy to open and lock. 4 locks makes sure that the door is tight.

To replace a filter you just open the door and pull the filter out and replace it with a new. For detailed instruction on how to change Filter see 1.6.1/1.6.2.

1.1 Safety Note

Always disconnect the electricity supply before opening the Filter-Table.

Don't exhaust Sparks or Poisenous Dust.

Use adequate safety clothing when replacing used filter boxes/cartridges.

Dispose of filter boxes/cartridges according to local laws and regulations.

1.2 Range of Application.

The MFK Filter-Table is designed for being a work-table and work both with clean air. It is for indoor use. The F9 model has an filtration of 99% and the HEPA H13 of 99.95%. For the Active Carbon Model see "Applicactions MFK Active Carbon Filter-Table" on the next page. The cleaned air can normally be recirculated into the room. Check with local laws and regulations.

Applications: MFK Active Carbon Filter Table.

Vapour from solvents (VOC).

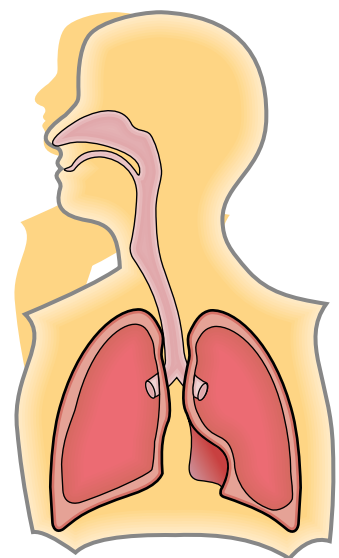
Nearly all solvents are Volatile Organic Compounds or liquids. They are used in a many every day applications, such as component cleaning, degreasing, and to dissolve products that are not able to be dissolved in water. They also form the drying agent in products such as adhesives, paints, and varnishes.

Vapours from these solvents typically have a narcotic effect that courses tiredness, dizziness and intoxication. Vapour and gases from solvents can also enter your body by the respiratory system and then spread to the brain and liver. The vapours from solvents are also irritating your eyes and respiratory system.

Save your lungs!

By using a MF Active Carbon Filter Table you get an effective extraction solution combined with an efficient filter system, you can reduce or even eliminate the risk of working with airborne hazards.

Type of application	Hazard substances
Soldering (Electronic)	Resin, Lead, Terpene, Limonene, Borneol, Isosyanates
Solder Pot	Resin, Lead, Terpene
Gluing / Bonding	VOC1, Methylmetacrylate (MMA), Toluene, Ethyl-2-cyanoacrylate, Tetrahydrofuran, Cyklohexanone
Screen printing	Methyl ethyl ketone (MEK), Toluene
Cleaning / degreasing	Acetone, Toluene, MEK, VOCs1
Laser cutting	Dust, metal particulate, odour
Moulding	Epoxi, Styrene
Conservation	VOCs1
Precision TIG welding	Welding fume, Gases, Ozone
Stained Glass working	Lead fume, VOCs1
Botany research	VOCs1
Sculpturing	VOCs1, silica dust, sealants



1.3 Unit Description MFK Filter Table/High.

MFK Filter-Tables/High with F9 or HEPA H13 or Active Carbon.

Standing Work Position. Width 900mm. Back/Side Shields 400mm High.



Complete Workstation with Table and Clean Air. Standing Work Position.

MFK Table/High is a complete “Plug and Play” workstations for standing work position. It will solve your “Health and Safety” problems. Just place it where it is needed and “Plug it in”. Dust, Fume or Gases will be extracted downwards and **will not be inhaled** by the operator. It will be cleaned by the built in Filter (F9 or HEPA H13 or Active Carbon) and be returned to the premises (Check Authorities).

MFK-F9 or MFK-HEPA H13.

For normal dust the MFK-F9 with F9 Filter Cartridge (12m²) is recommended. For fine or dangerous dust MFK-HEPA with HEPA H13 Filter-Box (9m²) is recommended.

MFK-AC (Active Carbon).

MFK-AC is recommended for Cleaning/Degreasing, Conservation, Gluing/Bonding, Molding, Screen Printing etc. The MFK-AC/High has a 30Ltr/15kg Active Carbon Filter Cartridge.

Adjustable Table Height.

The MFK Filter-Table/High is as standard equipped with height adjustable legs. The Table Height is adjustable from 0.85-1m. Always a Comfortable and Ergonomic work position. The MFK can be equipped with heavy duty castors (P-956).

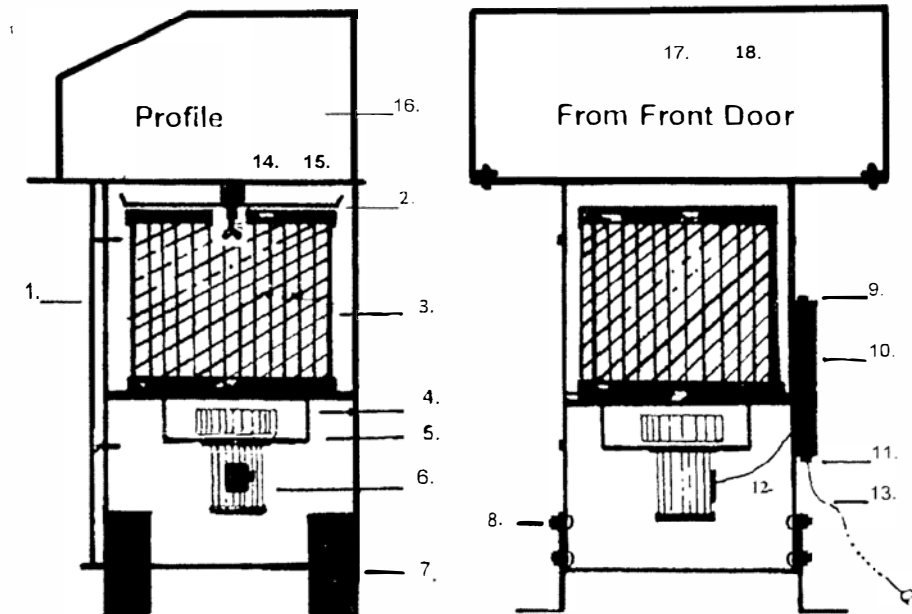
Side- and Back Shields.

The MFK/High is equipped with 400mm high Back and Side Shields. The Side Shields can be put up/down in seconds with the “Quick Release”. Prepared for fluorescent lamp.

Art. No.

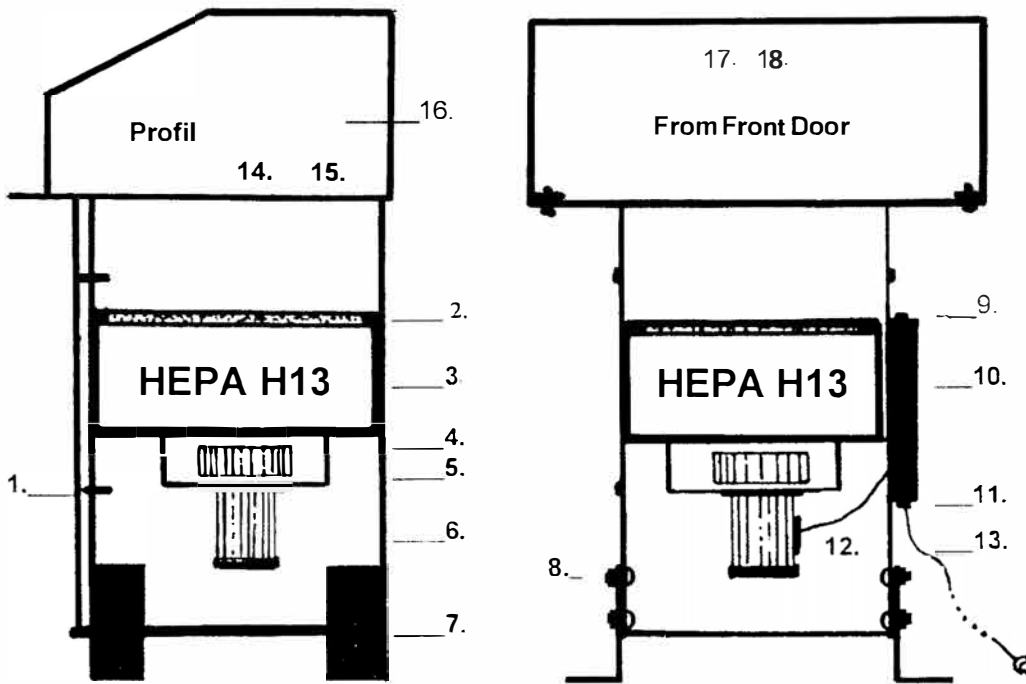
MFK-F9 Filter-Table/High. 1-Ph./1.1Kw/220V/50Hz, F9 Filter Cartridge 12m². 0.9m(W)x0.7m(D)	P-984
MFK-HEPA Filter-Table/High. 1-Ph./1.1Kw/220V/50Hz, HEPA H13 Filter Box 9m². ---“----.	P-985
MFK-AC Filter-Table/High. 1-Ph./1.1kW/220V/50Hz, Active Carbon 30Ltr/15kg. ---“----.	P-986
Replacement F9 Filter Cartridge 12m².	P-160
Replacement HEPA H13 Filter Box 9m². For MF Models Low/High (Not for ECO Models)	P-967
Replacement Active Carbon Filter Cartridge 30Ltr/15kg.	P-962
Heavy Duty Castors with Brakes (125mm) 4pcs. Fit directly on MF Filter-Table or on the Legs.	P-956

Description: MFK Filter-Table/High. F9 Filter Cartridge.



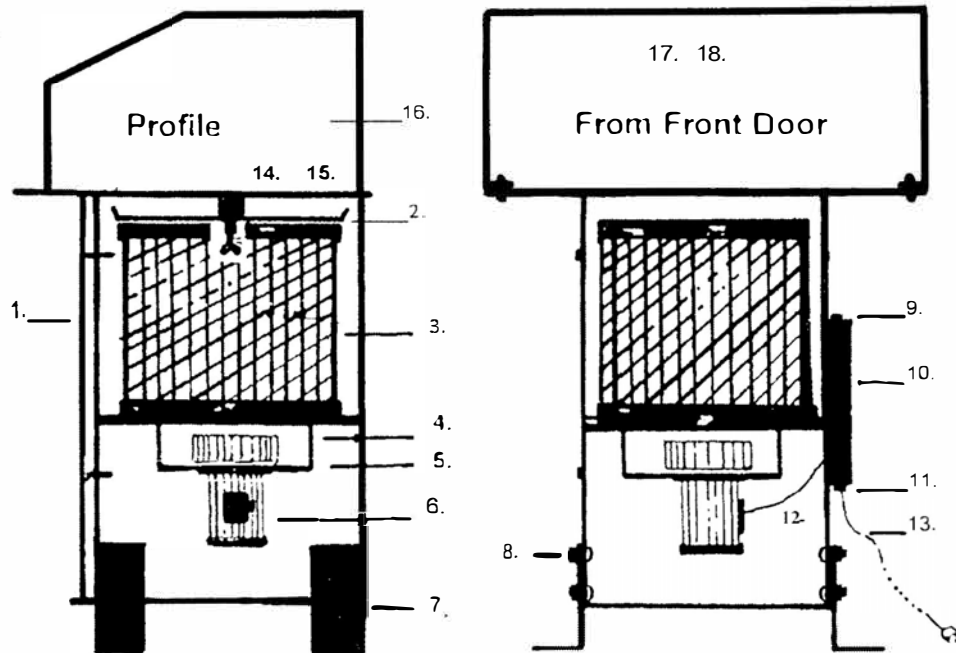
1. Door with 4xExenter Lock.
2. Spark Trap/Cartridge Holder with 2xM8x25mm Wing Bolts.
3. F9 Filter Cartridge (12 m²).
4. Fan Impellar.
5. Fan Housing.
6. Electric Motor 1-phase/1.1kW/220V/50Hz.
7. Legs, height adjustable 150mm (1pc.).
8. Coach Bolts M8x16mm(16 pcs.) with M8 Locking Nuts for the Legs (16pcs.). Important! Bolt Heads from the Inside!
9. Electric on/off Switch with Overload Protection.
10. Electric Box with 2xM8x35mm Hex Socket Button Bolts.
11. Cable Gland.
12. Motor Cable.
13. Cable with Plug.
14. Accessory Table Top 0.7m(D)x0.6m(W)x4mm with 6 pcs. of M6x16mm Hex Socket Countersunk Bolts.
15. Standard Table Top 0.7m(D)x0.9m(W)x4mm with 6pcs. of M6x16mm Hex Socket Countersunk Bolts.
16. Side Shields 400mm High, White (2pcs.).
17. Standard Back Shield 900mm Wide and 400mm High, White.
18. Accessory Back Shield 600mm Wide and 400mm High. White.

Description: MFK Filter-Table/High HEPA H13.



1. Door with 4xExenter Lock.
2. Pre-Filter of Alu Mesh. Washable.
3. HEPA H13(9m²) Filter E sox.
4. Fan Impellar.
5. Fan Housing.
6. Electric Motor.
7. Legs height adjustable 150mm.
8. Coach Bolts M8x16mm 16 pcs. with 16 M8 Locking Nuts for the Legs.
NOTE! Bolt Heads from the Inside!
9. Electric on/off Switch with Overload Protection.
10. Electric Box with 2xM8x35mm Bolts.
11. Cable Gland.
12. Motor Cable.
13. Cable with Plug.
14. Accessory Table Top 0.7m(D)x0.6m(W)x4mm with 6xM6x16mm Hex Socket Countersunk Bolts.
15. Standard Table Top 0.7m(D)x0.9m(W)x4mm with 6xM6x16mm Hex Socket Countersunk Bolts.
16. Side Shields 400mm High, White (2pcs.).
17. Standard Back Shield 900mm Wide and 400mm High, White.
18. Accessory Back Shield 600mm Wide and 400mm High, White.

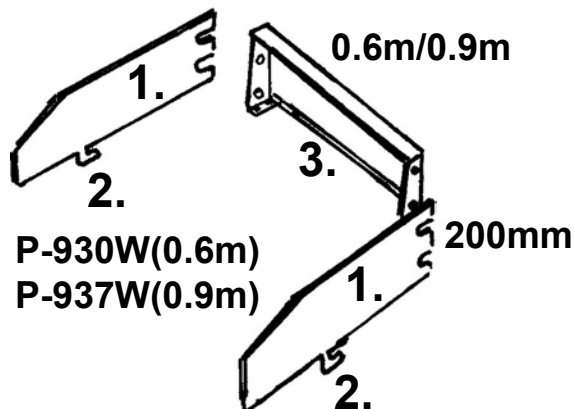
Description: MFK Filter-Table/High. Active Carbon Filter Cartridge.



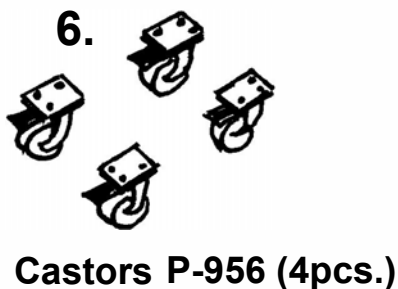
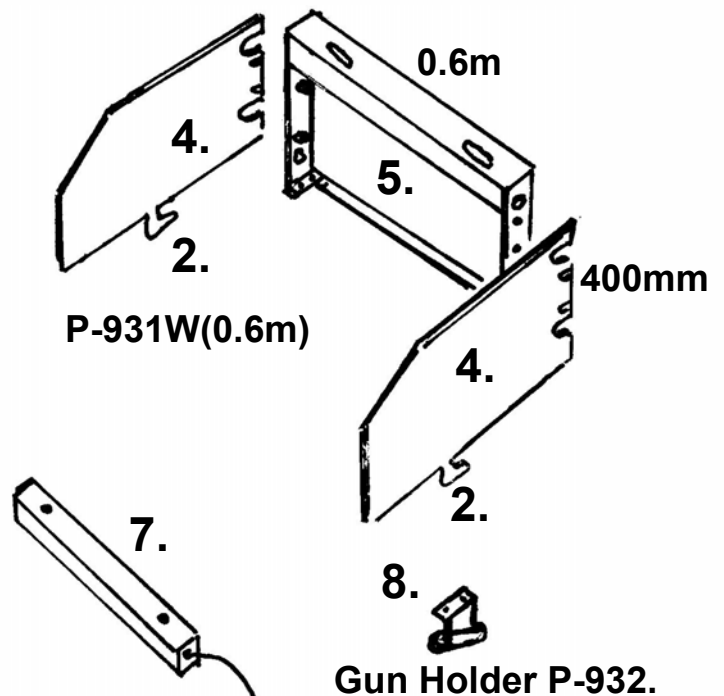
1. Door with 4xExenter Lock.
2. Spark Trap/Cartridge Holder with 2xM8x25mm Wing Bolts.
3. Active Carbon Filter Cartridge (30Ltr.).
4. Fan Impellar.
5. Fan Housing.
6. Electric Motor 1-phase/1.1kW/220V/50Hz.
7. Legs, height adjustable 150mm (1pc.).
8. Coach Bolts M8x16mm(16 pcs.) with M8 Locking Nuts for the Legs (16pcs.). Important! Bolt Heads from the Inside!
9. Electric on/off Switch with Overload Protection.
10. Electric Box with 2xM8x35mm Hex Socket Button Bolts.
11. Cable Gland.
12. Motor Cable.
13. Cable with Plug.
14. Accessory Table Top 0.7m(D)x0.6m(W)x4mm (White) with 6 pcs. of M6x16mm Hex Socket Countersunk Bolts.
15. Standard Table Top 0.7m(D)x0.9m(W)x4mm (White) with 6 pcs. of M6x16mm Hex Socket Countersunk Bolts.
16. Side Shields 400mm High,White (2pcs.).
17. Standard Back Shield 900mm Wide and 400mm High, White.
18. Accessory Back Shield 600mm Wide and 400mm High. White

**Description: Accessories MFK Filter-Table/High.
W=White.**

Back/Side Shields/200mm high.



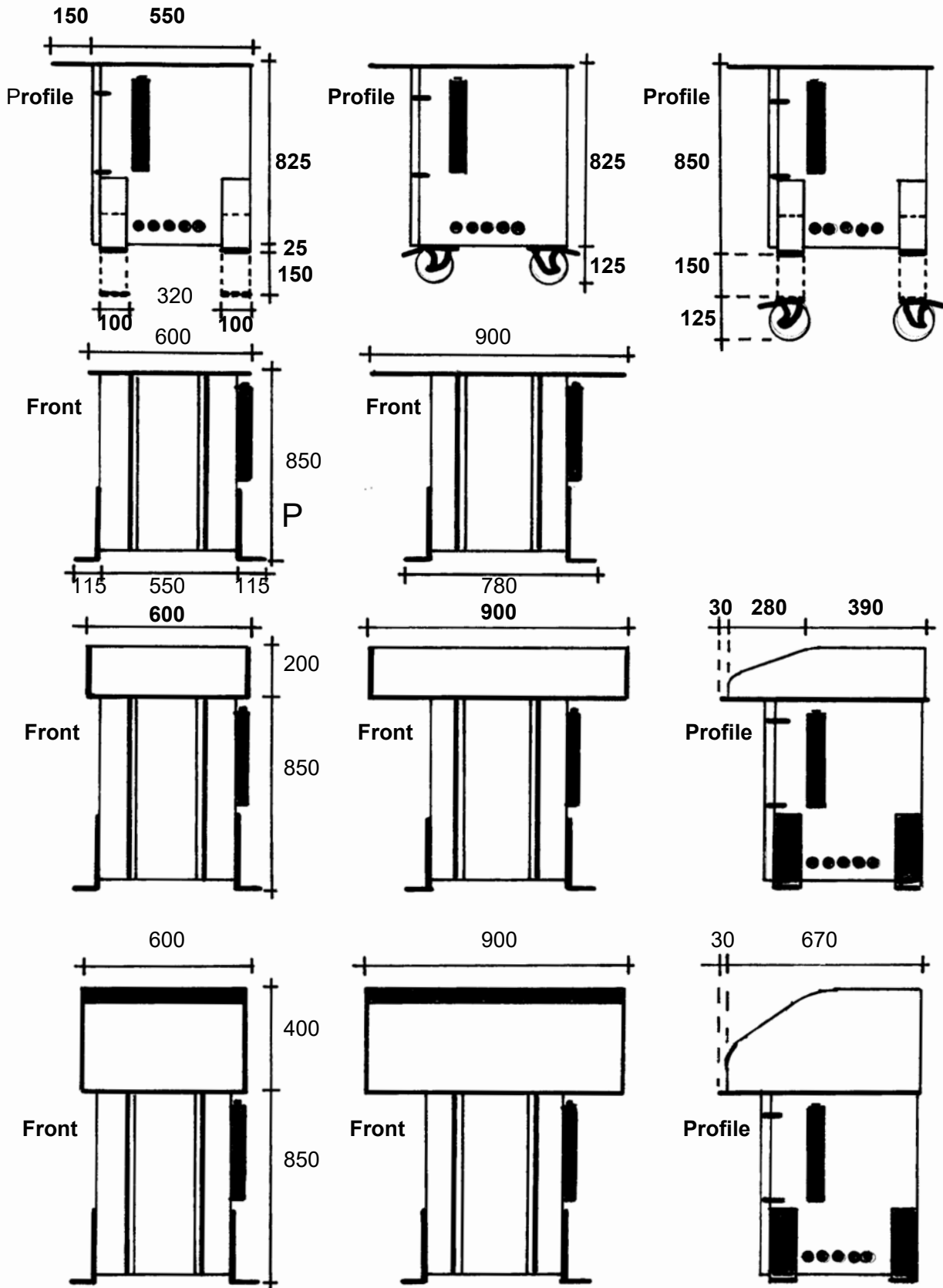
Back/Side Shield 400mm high.



1. Quick Release Side Shield/200mm high.
2. Quick Release Hook fits into Hole on Table Top.
3. 3a. Back Shield 0.6m wide/200mm high.
3b. Back Shield 0.9m wide/200mm high.
4. Quick Release Side Shield/400mm high.
5. Back Shield 0.6m wide/400mm high.
6. Castors 125mm high with Brakes. 360 Degree.
7. Fluororoscent Light for 400mm high Back Shield.
8. Holder for Welding- or Compressed Air Gun.
Can be mounted to the Right or the Left of Table.

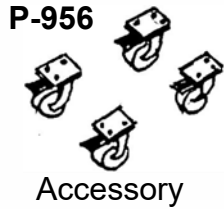
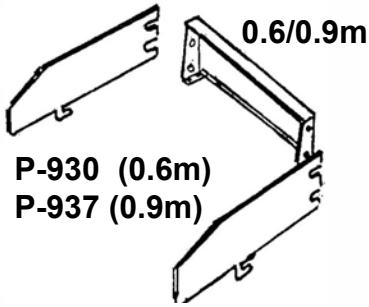
***MFK Filter-Tables can as special order be delivered
in the same versions as MF Filter-Tables. See "Products".**

1.4 Measures (mm) MFK Filter-Table/High. F9 or HEPA H13 or Active Carbon.

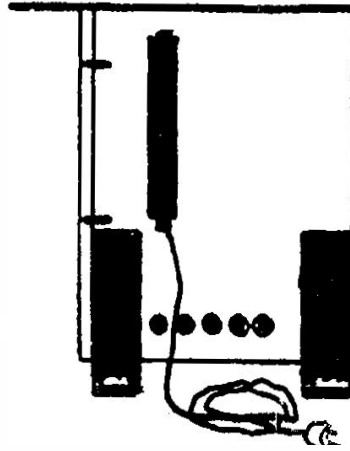


1.5 Mounting Instruction MFK Filter-Table/High.

Accessories

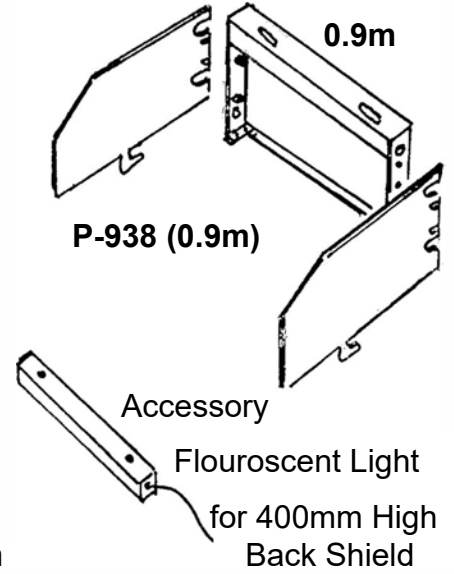


Standard Delivery

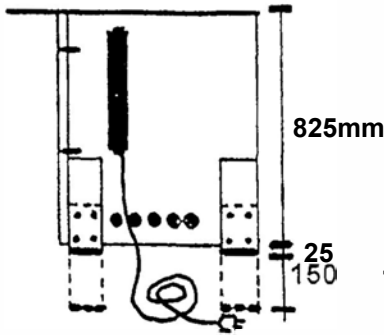


P-984 (F9) 0.9m(W)x0.7m
P-985 (HEPA) 0.9m(W)x0.7m
P-986 (Active Carbon) 0.6m(W)x0.7m

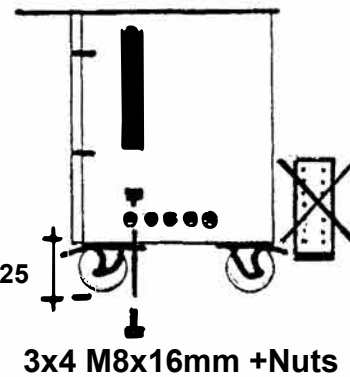
Standard Delivery



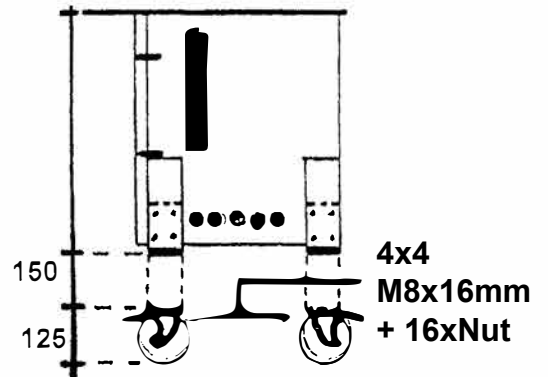
Height adjustment



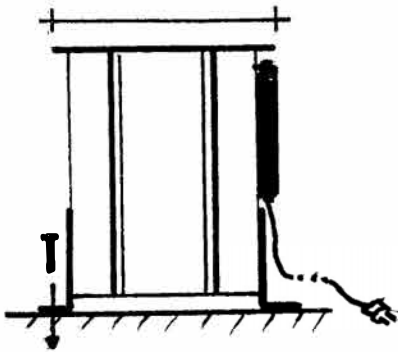
Mounting of Castors



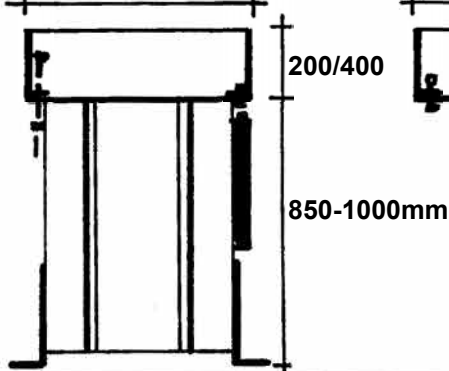
Mounting of Castors on adjustable Legs



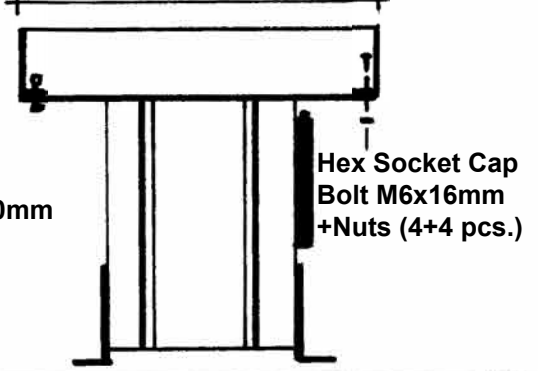
Fix to Floor



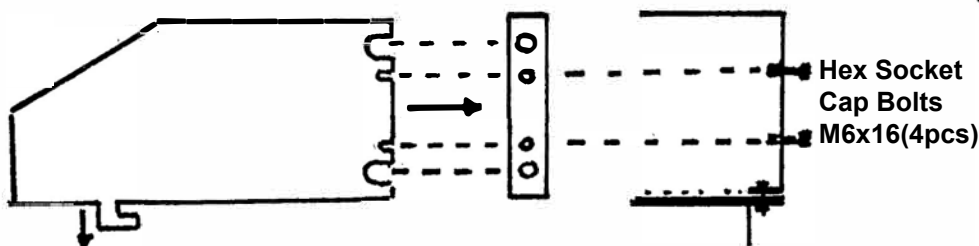
Mounting of 0.6m Back Shield



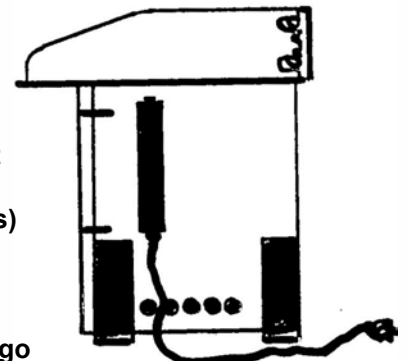
Mounting of 0.9m Back Shield



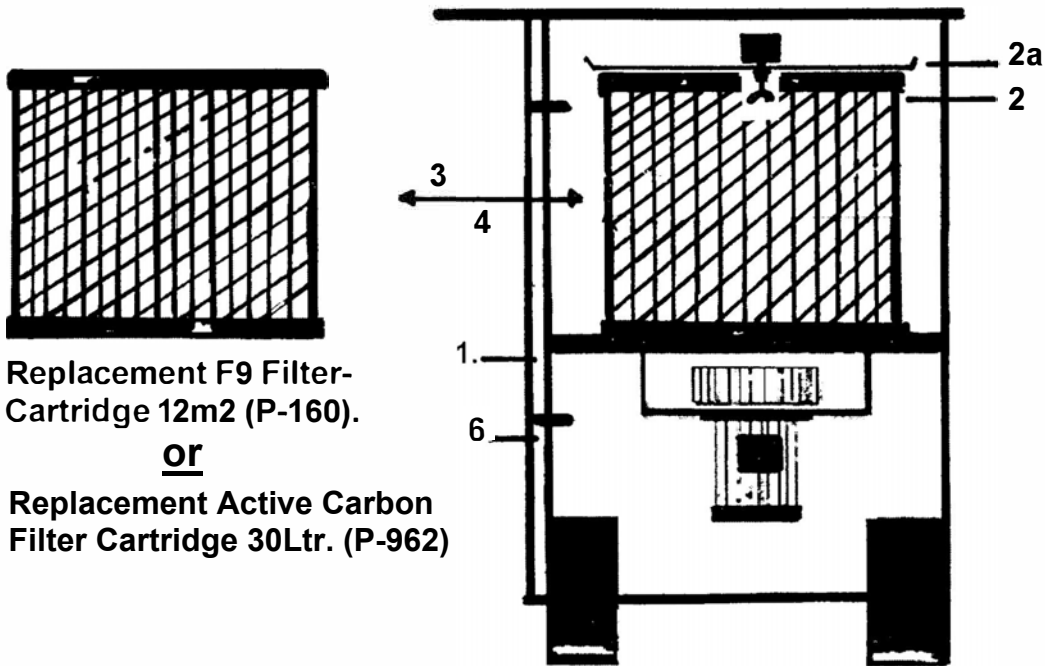
Mounting of Quickrelease Side Shields



Push the Shield until the small slots can slide over the Bolts. Let the Hook go down into the slot in the table. Push forward until stop. Tighten the Bolts light.



1.6.1 Change of F9 or ACTIVE CARBON Filter Cartridge: MFK Filter-Table/High.



Replacement F9 Filter-
Cartridge 12m2 (P-160).

or

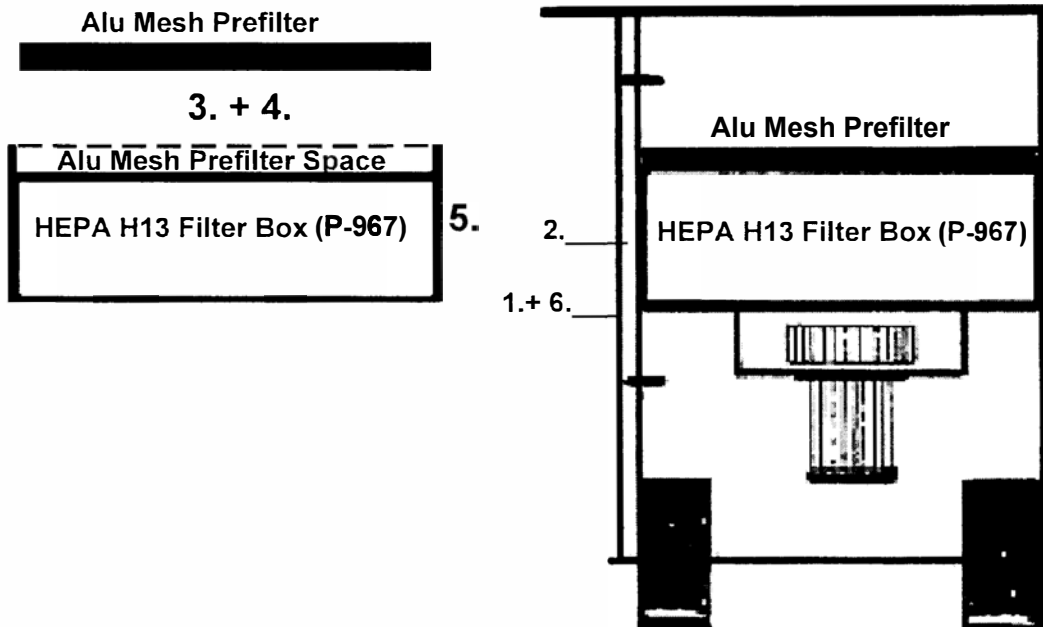
Replacement Active Carbon
Filter Cartridge 30Ltr. (P-962)

Switch off the Fan and Use adequate Safety Clothing!!

Recommended Steps to Replace a F9 Filter Cartridge.

1. Open the 4 Exenter Locks on the Door and lift it off.
Place it in a safe Place.
2. Loosen the two Wingnuts and pull out the Spark Trap (2a).
3. Pull out the F9 or Active Carbon Filter Cartridge and put it in a safe place until you can dispose of it.
4. Put in a replacemen Filter Cartridge with the SEAL DOWNWARDS!!
Be sure it is centered around the inlet of the Fan.
5. Put back the spark trap (2a) and tighten the wing nuts (2).
6. Put back the Door and lock it with the 4 Exenter Locks.
7. The MFK Filter-Table is now ready for use again.
8. Dispose of the old Filter Cartridge according to Local Laws and Regulations.

1.6.2 Change of HEPA Filter Box(9m2): MFK Filter-Table/High.



Switch off the Fan and Use adequate safety Clothing.

Recommended Steps to Replace the Filter Box and the Alu Mesh Filter.

1. Open the 4 Exenter Locks on the Door and lift it off.
Place it in a safe Place.
2. Pull out the HEPA H13 Filter Box. It has the Alu Mesh Filter Prefilter inside of the Top.
3. Take out the Alu Mesh Filter and Clean/Wash it.
4. Place the cleaned/washed Alu Mesh Filter in the top of a Replacement HEPA H13 Filter Box. Be sure it is in the side **WITHOUT SEAL**.
5. Put the Filter Box with the Alu Mesh Filter back into the Filter-Table.
Note that the **SEAL shall be DOWNWARDS!!**
6. Put back the Door and lock it with the 4 Exenter Locks.
7. The MFK Filter-Table is now ready for use again.
8. Dispose of the old Filter Box according to Local Laws and Regulations.

2.0 Maintenance

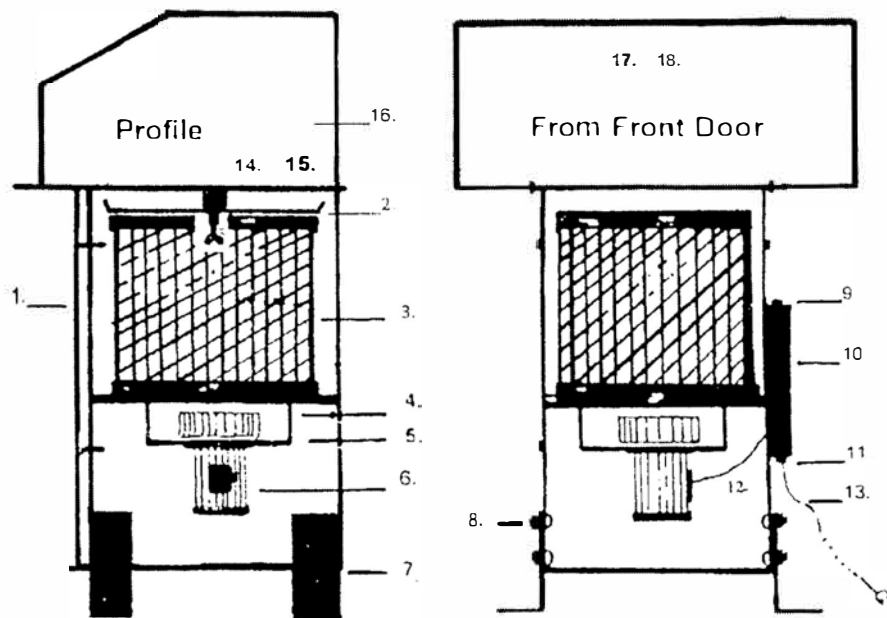
2.1 General Information.

The MFK Filter-Tables are robust and normally don't need much maintenance. However the following should be checked at least 2 times a year.

- 1. Check that all bolts are tight.**
- 2. Check if the extraction is good enough. If it is not:**
 - a. F9 or Active Carbon Models: Replace the Filter Cartridge. See "1.6.1" above.**
 - b. HEPA Models: Clean the Alu Mesh prefilter and replace the HEPA H13 Filter Box. See "1.6.2" above.**
- 3. There is no Problem with changing from F9 Filter Cartridge to HEPA H13 Filter Box or vice versa or to Active Carbon Cartridge, if the work situation has changed.**
- 4. Check the Electric Cable. If there are damages on it, you have to change it. Use Plymoth original spare parts. A certified Electrician has to do the change.**
- 5. Check with the Operator that the table height is right. If it is not, adjust the height of the Legs.**

2.2.1 Spare Parts MFK Filter-Table/High.

F9 Filter Cartridge (12m²) or Active Carbon Filter Cartridge (30Ltr.)

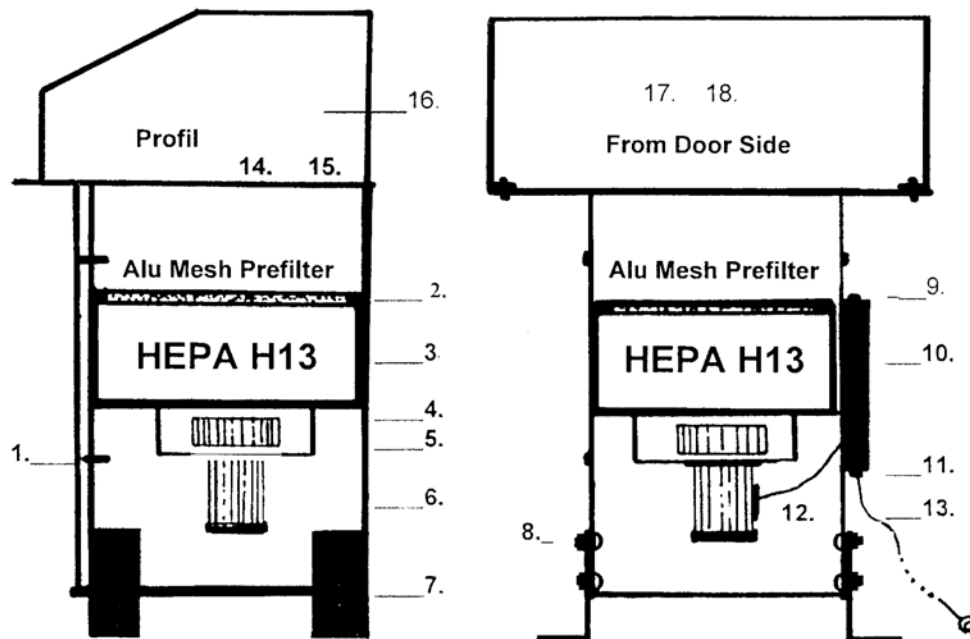


When ordering Spare Parts please specify:

- a. Name and P-number of Your Product.
- b. Number and Text from below.
- c. Quantity of each Spare Part.

1. Door with 4xExenter Lock.
2. Spark Trap/Cartridge Holder with 2xM8x25mm Wing Bolts.
3. 3a. F9 Filter Cartridge (12m²)
3b. Active Carbon Filter Cartridge (30Ltr.).
4. Fan Impellar.
5. Fan Housing.
6. Electric Motor 1-phase/1.1kW/220V/50Hz.
7. Legs, height adjustable 150mm (1pc.).
8. Coach Bolts M8x16mm (16 pcs.) with M8 Locking Nuts for the Legs (16pcs.). Important! Bolt Heads from the Inside!
9. Electric on/off Switch with Overload Protection.
10. Electric Box with 2xM8x35mm Hex Socket Button Bolts.
11. Cable Gland.
12. Motor Cable.
13. Cable with Plug.
14. Accessory Table Top 0.7m(D)x0.6m(W)x4mm (White) with 6 pcs. of M6x16mm Hex Socket Countersunk Bolts.
15. Standard Table Top 0.7m(D)x0.9m(W)x4mm (White) with 6 pcs. of M6x16mm Hex Socket Countersunk Bolts.
16. Side Shield 400mm High with "Quick Release" (1pc.).
17. Standard Back Shield 900mm Wide, 400mm High (1pc.).
18. Accessory Back Shield 600mm Wide, 400mm High (1pc.).

2.2.2 Spare Parts MFK Filter-Table/High. HEPA H13 Filter Box (9m2).



When ordering Spare Parts please specify:

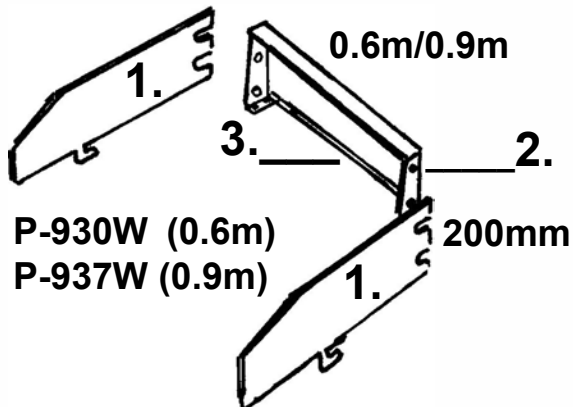
- a. Name and P-number of Your Product.
- b. Number and Text from below.
- c. Quantity of each Spare Part.

1. Door with 4xExenter Lock.
2. Pre-Filter of Alu Mesh. Washable.
3. HEPA H13 (9m2) Filter Box.
4. Fan Impellar.
5. Fan Housing.
6. Electric Motor 1-phase/1.1kW/220V/50Hz.
7. Legs height adjustable 150mm.
8. Coach Bolts M8x16mm 16 pcs. with 16 M8 Locking Nuts for the Legs.
NOTE! Bolt Heads from the Inside!
9. Electric on/off Switch with Overload Protection.
10. Electric Box with 2xM8x35mm Bolts.
11. Cable Gland.
12. Motor Cable.
13. Cable with Plug.
14. Table Top 0.7m(D)x0.6m(W)x4mm with 6xM6x16mm Hex Socket Countersunk Bolts.
15. Table Top 0.7m(D)x0.9m(W)x4mm with 6xM6x16mm Hex Socket Countersunk Bolts.
16. Side Shield 400mm High.
17. Back Shield 0.6m Wide and 400mm High.
18. Back Shield 0.9m Wide and 400mm High.

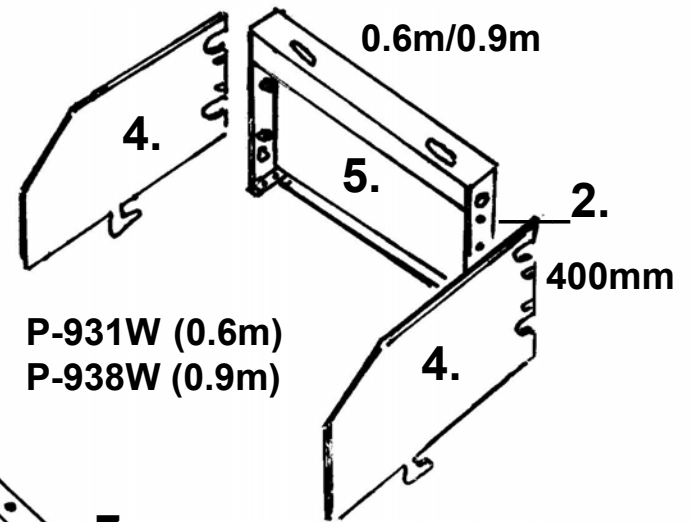
2.2.3 Spare Parts Accessories MFK Filter-Table.

W=White

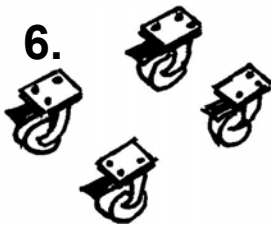
Back/Side Shields/200mm high.



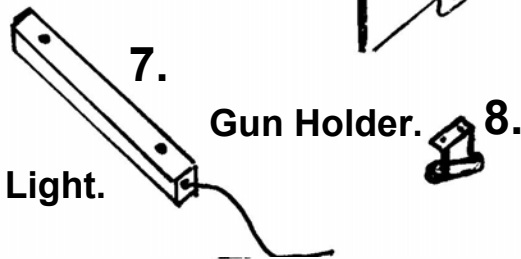
Back/Side Shields/400mm high.



Castors.



Flouroscent Light.



When ordering Spare Parts please specify:

- Name and P-number of Your Product.
 - Number and Text from below.
 - Quantity of each Spare Part.
- Quick Release Side Shield/200mm high (1pc.).
 - Hex Socket Cap Bolts M6x16mm for Quick Release (4pcs.)
 - 3a. Back Shield 0.6m wide/200mm high with Hex Socket Cap Bolts 4xM6x16mm and Locking Nuts 4xM6 (1pc.).
3b. Back Shield 0.9m wide/200mm high with Hex Socket Cap Bolts 4xM6x16mm and Locking Nuts 4xM6 (1pc.).
 - Quick Release Side Shield/400mm high (1pc.).
 - 5a. Back Shield 0.6m wide/400mm high with Hex Socket Cap Bolts 4xM6x16mm and Locking Nuts 4xM6 (1Pc.).
5b. Back Shield 0.9m wide/400mm high with Hex Socket Cap Bolts 4xM6x16mm and Locking Nuts 4xM6 (1pc.).
 - Castor 125mm high with Brake. 360 Degree (1pc.).
 - Flouroscent Light for 400mm high Back Shield (1pc.)
 - Gun Holder + 2xM6 Hex Socket Countersunk Bolts (1pc.)



Declaration of conformity

We, J. Plymoth AB, declare under our sole responsibility that the product lines **MF-F9/HEPA, MF-Active Carbon, MF-Eco/F9, MF-Eco/HEPA, MF-Filter-Tables, MF-Eco Filter-Tables, FK-Mesa Backdraft Filter-Tables, MKF Filter-Tables, Labbe, MF-Lab, MF-Eco Lab, CF Central Filters, Mobo-Oil, Denta-Flex, Fica-Flex and VBF-Office** to which this declaration relates is in conformity with Directives 2006/42/EC, 2014/30/EU, 2011/65/EU and Standards EN 60204-1:2006, EN ISO 12100:2010, EN ISO 15012-1:2013, EN 61000-6-2:2005, EN 61000-6-3:2007, EN ISO 20607:2019.

J. Plymoth AB
Traryds Allen 4D
28772 Traryd

87

A handwritten signature in blue ink, appearing to read 'Jenny Nilsson', is written over the printed name and title. The signature is fluid and cursive.

Jenny Nilsson
Verkställande Direktör

2023-01-01