

Technical Data



Laboratory/High

MFK Filter-Table/HIGH. F9 or HEPA H13 or Active Carbon.

- **Downdraft Filter-Table for Standing Work Position. "Plug and Play".**
- **Fume, Dust and Gases are extracted downwards instead of being inhaled.**
- **Models with F9 Filter Box (10m²) or HEPA H13 Filter Box (9m²) or Active Carbon Filter Cartridge (30Ltr.).**
- **Fits into standard 900mm Lay-Outs.**
- **Is as standard equipped with 400mm high Side- and Back Panels with "Quick Release".**
- **Height adjustable 0.85-1m.**
- **Clean Air Outlet at the Bottom of the Unit.**

1.0 General Information.

A MFK Downdraft Filter-Table/High is an easy and efficient way to create a work friendly booth with clean air.

The High models are for a standing work position. The table top of 4mm thick steel is 0.9m(W)x0.7m(D). Fits in standard Lay-Outs. The whole unit is powder coated in White.

The table top height can be adjusted from 0.85m-1m. It is equipped with 400mm high side and back shields. Always an ergonomical work position

The unit is simple to install. Just plug it into an electric socket. Ready for use!

The contaminated air is exhausted downwards and not inhaled. Then the cleaned air is returned to the room at the bottom of the unit.

MF Downdraft Filter-Tables can be used for all sort of work where extraction and filtration of fume, dust or gases is needed. Perfect for the Laboratory, cleaning, light grinding, repairing, restoring, printing and so on.

Depending on the contaminations you can choose a MFK with either F9, HEPA H13 or Active Carbon (30Ltr.) filter. If you change the work situation you can always change to any of the other two Filter Types.

The F9 Filter Cartridge (12m²) is for dust in general and has a 99% efficiency.

The HEPA H13 Filter box (9m²) is for fine dust and has a 99.95% efficiency. It is equipped with a washable Alu Mesh prefilter.

The Active Carbon Filter Cartridge (30Ltr.) is equipped with a prefilter of fleece. For applications please see next page.

The Door has 4 expander locks to make it easy to open and lock. 4 locks makes sure that the door is tight.

To replace a filter you just open the door and pull the filter out and replace it with a new. For detailed instruction on how to change Filter see 1.6.1/1.6.2.

1.1 Safety Note

Always disconnect the electricity supply before opening the Filter-Table.

Don't exhaust Sparks or Poisenous Dust.

Use adequate safety clothing when replacing used filter boxes/cartridges.

Dispose of filter boxes/cartridges according to local laws and regulations.

1.2 Range of Application.

The MFK Filter-Table is designed for being a work-table and work both with clean air. It is for indoor use. The F9 model has an filtration of 99% and the HEPA H13 of 99.95%. For the Active Carbon Model see "Applications MFK Active Carbon Filter-Table" on the next page. The cleaned air can normally be recirculated into the room. Check with local laws and regulations.

Applications: MFK Active Carbon Filter Table.

Vapour from solvents (VOC).

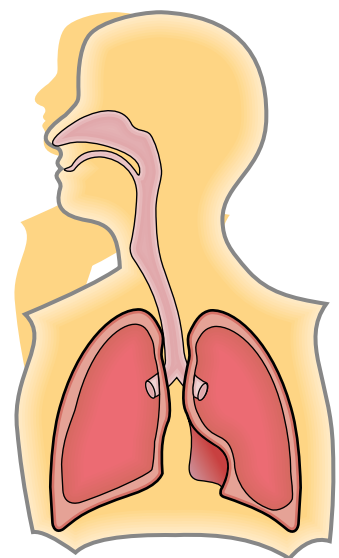
Nearly all solvents are Volatile Organic Compounds or liquids. They are used in a many every day applications, such as component cleaning, degreasing, and to dissolve products that are not able to be dissolved in water. They also form the drying agent in products such as adhesives, paints, and varnishes.

Vapours from these solvents typically have a narcotic effect that courses tiredness, dizziness and intoxication. Vapour and gases from solvents can also enter your body by the respiratory system and then spread to the brain and liver. The vapours from solvents are also irritating your eyes and respiratory system.

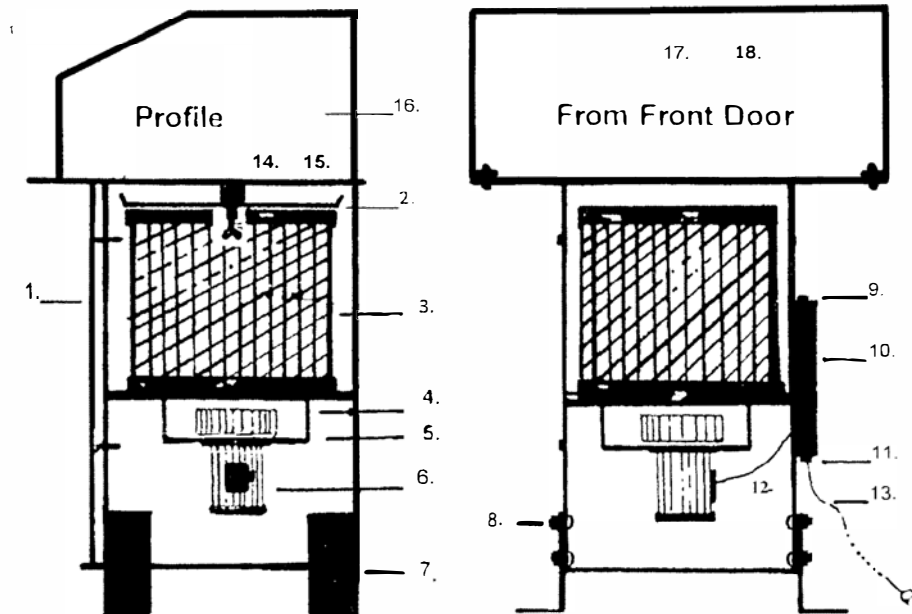
Save your lungs!

By using a MF Active Carbon Filter Table you get an effective extraction solution combined with an efficient filter system, you can reduce or even eliminate the risk of working with airborne hazards.

Type of application	Hazard substances
Soldering (Electronic)	Resin, Lead, Terpene, Limonene, Borneol, Isosyanates
Solder Pot	Resin, Lead, Terpene
Gluing / Bonding	VOC1, Methylmetacrylate (MMA), Toluene, Ethyl-2-cyanoacrylate, Tetrahydrofuran, Cyklohexanone
Screen printing	Methyl ethyl ketone (MEK), Toluene
Cleaning / degreasing	Acetone, Toluene, MEK, VOCs1
Laser cutting	Dust, metal particulate, odour
Moulding	Epoxi, Styrene
Conservation	VOCs1
Precision TIG welding	Welding fume, Gases, Ozone
Stained Glass working	Lead fume, VOCs1
Botany research	VOCs1
Sculpturing	VOCs1, silica dust, sealants

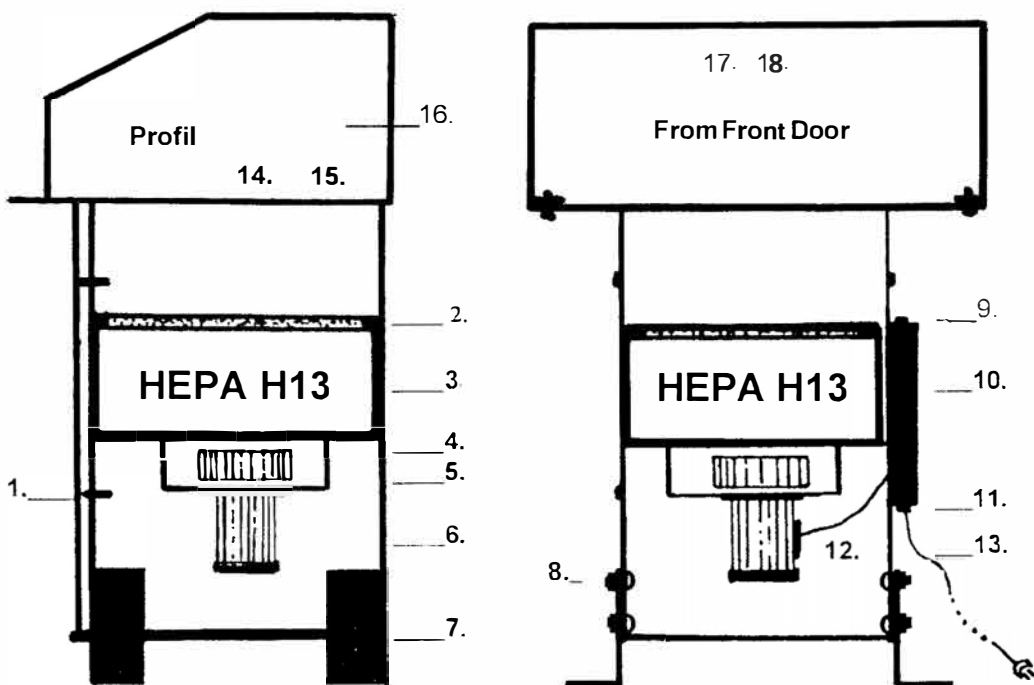


Description: MFK Filter-Table/High. F9 Filter Cartridge.



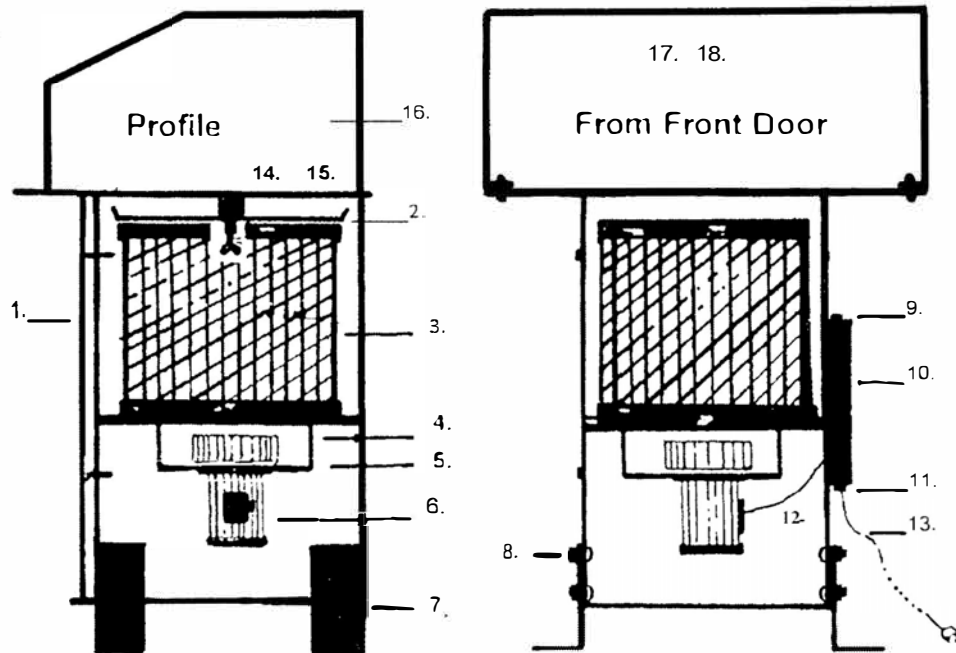
1. Door with 4xExenter Lock.
2. Spark Trap/Cartridge Holder with 2xM8x25mm Wing Bolts.
3. F9 Filter Cartridge (12 m²).
4. Fan Impellar.
5. Fan Housing.
6. Electric Motor 1-phase/1.1kW/220V/50Hz.
7. Legs, height adjustable 150mm (1pc.).
8. Coach Bolts M8x16mm(16 pcs.) with M8 Locking Nuts for the Legs (16pcs.). Important! Bolt Heads from the Inside!
9. Electric on/off Switch with Overload Protection.
10. Electric Box with 2xM8x35mm Hex Socket Button Bolts.
11. Cable Gland.
12. Motor Cable.
13. Cable with Plug.
14. Accessory Table Top 0.7m(D)x0.6m(W)x4mm with 6 pcs. of M6x16mm Hex Socket Countersunk Bolts.
15. Standard Table Top 0.7m(D)x0.9m(W)x4mm with 6pcs. of M6x16mm Hex Socket Countersunk Bolts.
16. Side Shields 400mm High, White (2pcs.).
17. Standard Back Shield 900mm Wide and 400mm High, White.
18. Accessory Back Shield 600mm Wide and 400mm High. White.

Description: MFK Filter-Table/High HEPA H13.



1. Door with 4xExenter Lock.
2. Pre-Filter of Alu Mesh. Washable.
3. HEPA H13(9m²) Filter E sox.
4. Fan Impellar.
5. Fan Housing.
6. Electric Motor.
7. Legs height adjustable 150mm.
8. Coach Bolts M8x16mm 16 pcs. with 16 M8 Locking Nuts for the Legs.
NOTE! Bolt Heads from the Inside!
9. Electric on/off Switch with Overload Protection.
10. Electric Box with 2xM8x35mm Bolts.
11. Cable Gland.
12. Motor Cable.
13. Cable with Plug.
14. Accessory Table Top 0.7m(D)x0.6m(W)x4mm with 6xM6x16mm Hex Socket Countersunk Bolts.
15. Standard Table Top 0.7m(D)x0.9m(W)x4mm with 6xM6x16mm Hex Socket Countersunk Bolts.
16. Side Shields 400mm High, White (2pcs.).
17. Standard Back Shield 900mm Wide and 400mm High, White.
18. Accessory Back Shield 600mm Wide and 400mm High, White.

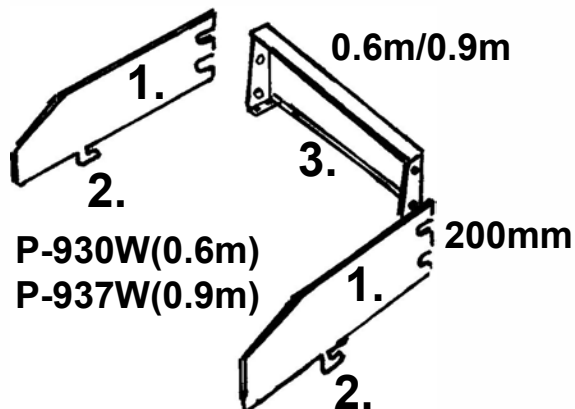
Description: MFK Filter-Table/High. Active Carbon Filter Cartridge.



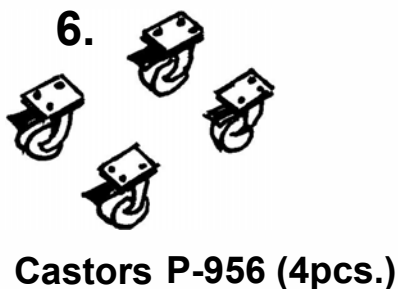
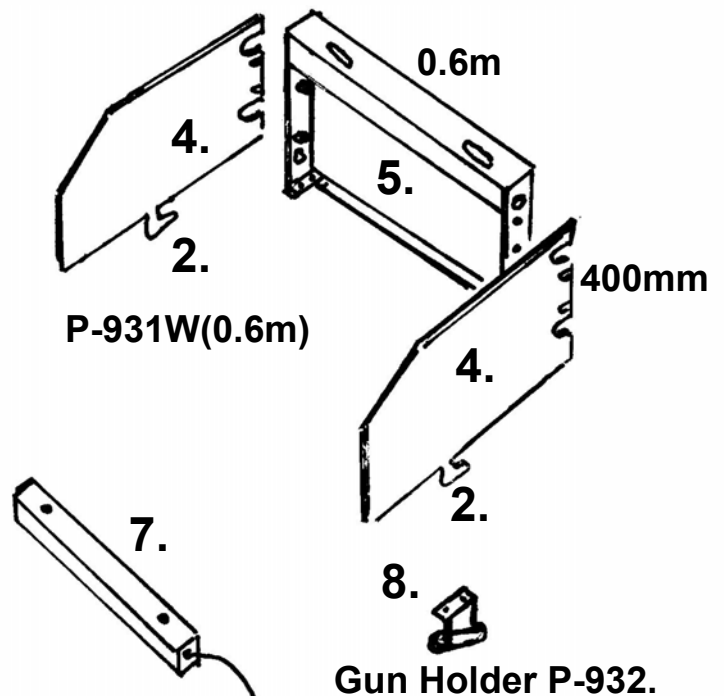
1. Door with 4xExenter Lock.
2. Spark Trap/Cartridge Holder with 2xM8x25mm Wing Bolts.
3. Active Carbon Filter Cartridge (30Ltr.).
4. Fan Impellar.
5. Fan Housing.
6. Electric Motor 1-phase/1.1kW/220V/50Hz.
7. Legs, height adjustable 150mm (1pc.).
8. Coach Bolts M8x16mm(16 pcs.) with M8 Locking Nuts for the Legs (16pcs.). Important! Bolt Heads from the Inside!
9. Electric on/off Switch with Overload Protection.
10. Electric Box with 2xM8x35mm Hex Socket Button Bolts.
11. Cable Gland.
12. Motor Cable.
13. Cable with Plug.
14. Accessory Table Top 0.7m(D)x0.6m(W)x4mm (White) with 6 pcs. of M6x16mm Hex Socket Countersunk Bolts.
15. Standard Table Top 0.7m(D)x0.9m(W)x4mm (White) with 6 pcs. of M6x16mm Hex Socket Countersunk Bolts.
16. Side Shields 400mm High,White (2pcs.).
17. Standard Back Shield 900mm Wide and 400mm High, White.
18. Accessory Back Shield 600mm Wide and 400mm High. White

**Description: Accessories MFK Filter-Table/High.
W=White.**

Back/Side Shields/200mm high.



Back/Side Shield 400mm high.

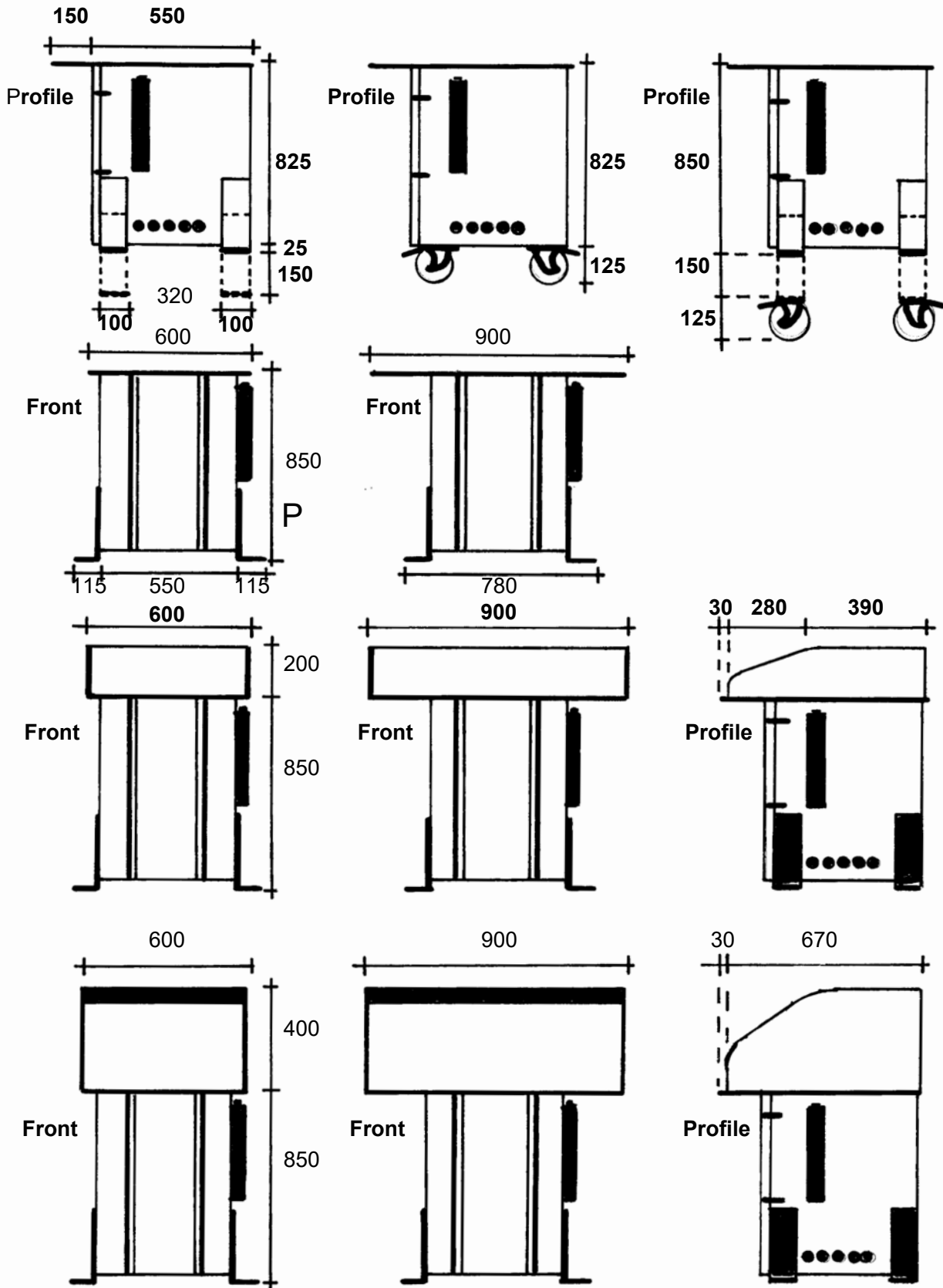


Flouroscent Light.

1. Quick Release Side Shield/200mm high.
2. Quick Release Hook fits into Hole on Table Top.
3. 3a. Back Shield 0.6m wide/200mm high.
3b. Back Shield 0.9m wide/200mm high.
4. Quick Release Side Shield/400mm high.
5. Back Shield 0.6m wide/400mm high.
6. Castors 125mm high with Brakes. 360 Degree.
7. Flouroroscent Light for 400mm high Back Shield.
8. Holder for Welding- or Compressed Air Gun.
Can be mounted to the Right or the Left of Table.

***MFK Filter-Tables can as special order be delivered
in the same versions as MF Filter-Tables. See "Products".**

1.4 Measures (mm) MFK Filter-Table/High. F9 or HEPA H13 or Active Carbon.





Declaration of conformity

We, J. Plymoth AB, declare under our sole responsibility that the product lines **MF-F9/HEPA, MF-Active Carbon, MF-Eco/F9, MF-Eco/HEPA, MF-Filter-Tables, MF-Eco Filter-Tables, FK-Mesa Backdraft Filter-Tables, MKF Filter-Tables, Labbe, MF-Lab, MF-Eco Lab, CF Central Filters, Mobo-Oil, Denta-Flex, Fica-Flex and VBF-Office** to which this declaration relates is in conformity with Directives 2006/42/EC, 2014/30/EU, 2011/65/EU and Standards EN 60204-1:2006, EN ISO 12100:2010, EN ISO 15012-1:2013, EN 61000-6-2:2005, EN 61000-6-3:2007, EN ISO 20607:2019.

J. Plymoth AB
Traryds Allen 4D
28772 Traryd

87

A handwritten signature in blue ink, appearing to read 'Jenny Nilsson', is written over the printed name and title.

Jenny Nilsson
Verkställande Direktör

2023-01-01