

User Manual



Wall-Flex F9 + Fan P-Max + Flexi FLT Extraction Arm

- **Filter Unit with F9 Filter Cartridge 12m².**
- Suitable for filtration of light welding fume and light dust.
- Can be equipped with P-Max Fan or be connected to Extraction System.
- Connect to duct or hose on inlet side. D.160mm Flange is included.
- Can be equipped with Flexi FLT Extraction-Arm (1.5-3m) on the bottom side.
- Can be connected to longer Extraction-Arms. Has to be mounted on the wall.
- Adapter for 2 Extraction-Arms (1.5-3m) is Accessory.

Table of Contents

1.0 General Information

1.1 Safety Note

1.2 Range of Application

1.3 Unit Description

1.4 Installation

1.5 Mounting

1.6 Extration Arm

1.7 Accessories

2.0 Maintenance

2.0 General Information

2.2 Change of Filter

2.3 Spare Parts

1.0 General Information

Wall Flex F9 has a 12m² filter cartridge which easily can be replaced when it is full. Replace it when the extraction is not good enough for the work you do. Wall Flex can be used in all sorts of work situations where extraction of contaminated air is needed. Perfect for light welding for example in shoos.

The unit can be equipped with a P-Max Fan or be connected to an Extraction System.

Wall Flex can be equipped with Flexi FLT Extraction-Arm/Arms (1.5m/2m/3m) mounted directly to the bottom of the unit. For 2 Arms you need an Adapter (P-086. Accessory).

With the d.160mm Flange you can connect the inlet side to a duct or a hose.

The Door has 4 expander locks to make it easy to open and lock. 4 locks makes sure that the door is tight.

To replace the filter cartridge you open the door. Unwind the Wing Bolts on the bottom side of the unit. You can then pull out the cartridge and replace it with a new. The disposal of the contaminated cartridge has to be according to local regulations. Always use suitable safety clothing.

Before you install the Wall Flex Box on the wall you must take out the filter cartridge to be able to mount an Extraction Arm or Inlet Flange on the bottom. Be sure you mount the filter cartridge with the Rubber Seal and Opening upwards when you put it back. Tighten the Wing Bolts so the cartridge rubber seal is tightening.

1.1 Safety Note

Always disconnect the electricity supply before opening the Wall Flex. Don't exhaust Sparks or Poisenous Dust. Use adequate safety clothing when replacing dirty filter cartridges. Dispose of used filter cartridges according to local laws and regulations.

1.2 Range of Application.

Wall Flex F9 Filter is designed for extraction and filtering of light dust and fume can be equipped with a P-Max Fan or be connected to an system. The extraction has to be according to local laws and regulations. Only for use indoors.

1.3 Unit Description

Wall-Flex F9 Extractor Filter

Welding/Soldering Fume and Light Dust

Wall-Flex is designed for use with Flexi Extraction Arms. Extracts Welding/Soldering Fume and Light Dust before it is inhaled by the operator. Easy to mount with just 4 bolts into a wall. The F9 filter cartridge has an efficiency of up to 99%. The fan is mounted on top of the filter box on an included fan holder. Order fan and Extraction Arm separately.

Filter Cartridge 12m².

Access to the maintenance-free, replaceable F9 cartridge filter is easy and changing it takes just a couple of minutes.

An activated carbon filter fleece for light gases is also available. A carbon filter holder is then needed (P-085).

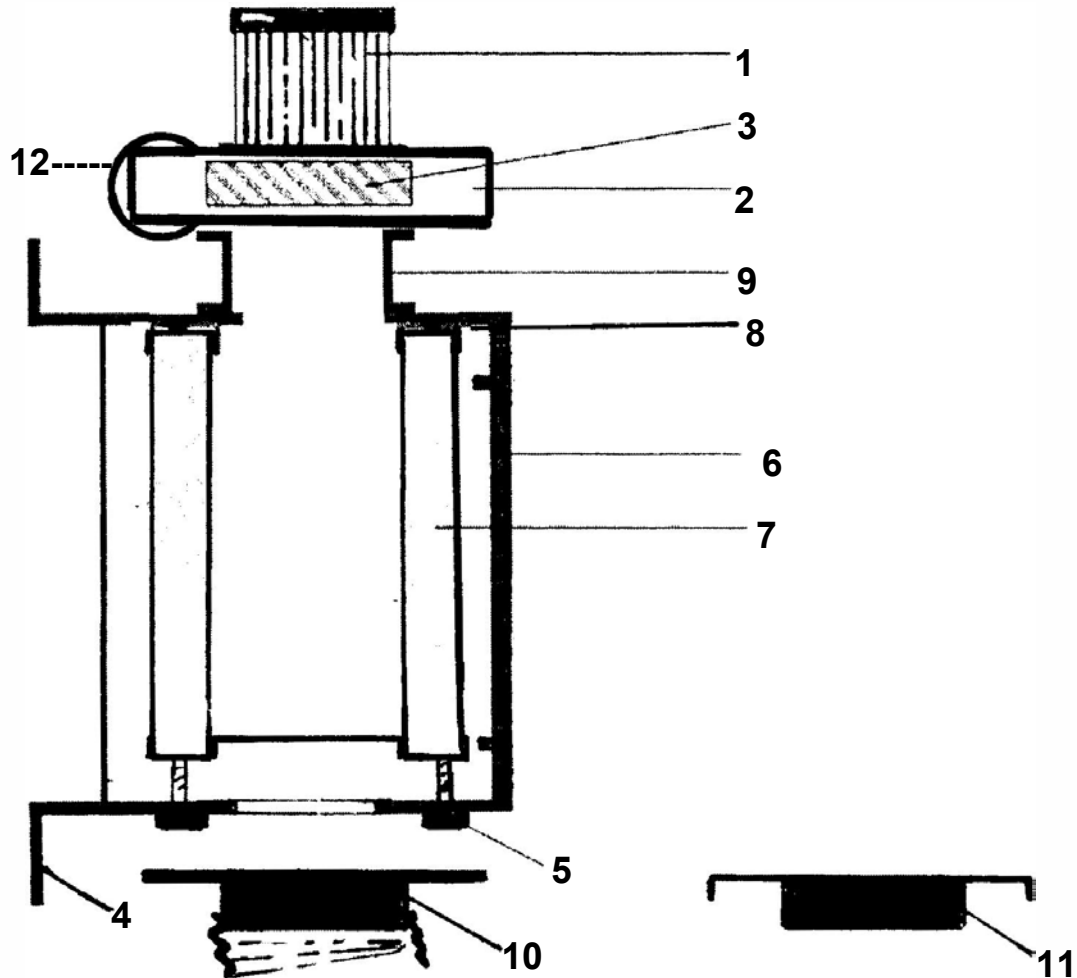
Wallbracket and Fan Holder.

Wall-Flex is as standard equipped with a strong wallbracket. The fan is to be mounted on the top of the included fan holder. Flexi FLT Extraction Arm is to be mounted on the bottom side of the filter box (1.5-3m Arms). No unnecessary holes have to be made in the wall. Wall-Flex can be connected to a central extraction system instead of a fan on the top. A diameter 160 mm outlet adaptor is included.



	Art. Nr.	Art. Nr. d.160 mm	Art. Nr. d.200 mm
Wall-Flex Filter box, 12 m ² F9 filter, Fan-Holder, Outlet d.160mm.	P-026		
Fan P-Max 2100 TURBO /0.75 kW/3-Phase/400V/50Hz	P-013		
Fan P-Max 2100 TURBO /0.75 kW/1-Phase/220V/50Hz	P-015		
F9 Replacement filter cartridge 12 m ²	P-160		
Wall-Flex Holder for activated carbon filter fleece.	P-085		
Activated carbon filter fleece for Wall-Flex. 10 pcs.	P-107		
Flexi FLT Extraction Arm 1.5 m for mounting on the filter box.		P-051	P-056
Flexi FLT Extraction Arm 2 m for mounting on the filter box.		P-052	P-057
Flexi FLT Extraction Arm 3 m for mounting on the filter box.		P-053	P-058
Flexi Horizontal 4 m incl. Wallbracket. For mounting on the wall.		P-009	P-145
Flexi Horizontal 5 m incl. Wallbracket. For mounting on the wall.		P-010	P-146

1.3.1 Wall-Flex + P-Max Fan + Extraction-Arm + Inlet Flange.



Main Parts of Wall Flex F9 .

1/2/3. Fan 0.75kW/3-phase/400V/50-60Hz.

4. Wall-Flex Steel Box.

5. Wing Bolts to fixing Filter Cartridge.

6. Door with 4xExenter Locks.

7. Filter Cartridge with Opening upwards.

8. Rubber Seal at Topside/Openside of Filter Cartridge.

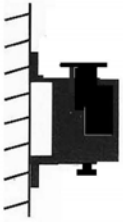
9. Fan Adapter (Included in Wall-Flex Box).

10. FLB Extraction-Arm 1m/2m/3m.

11. Inlet Flange d.160mm or 200mm.

12. Fan Outlet d.200mm Inside.

1.4 Installation of Wall Flex Box on the Wall.

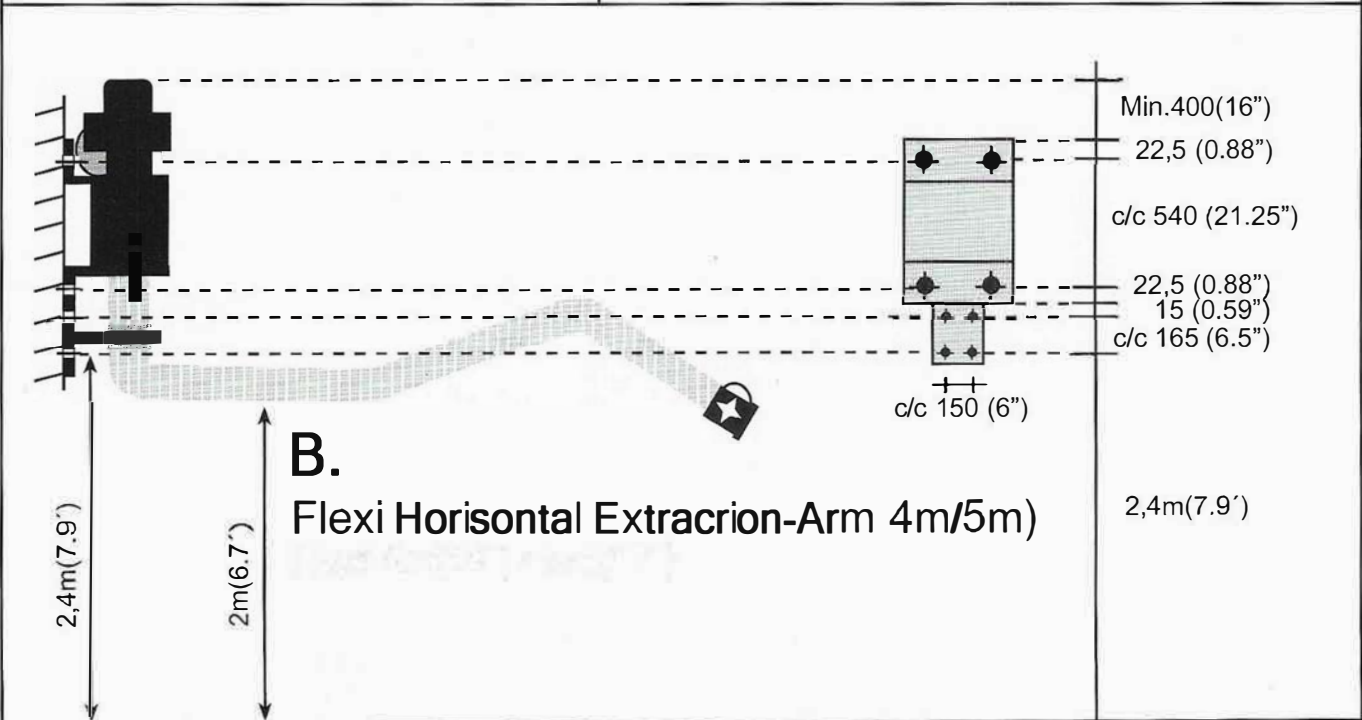
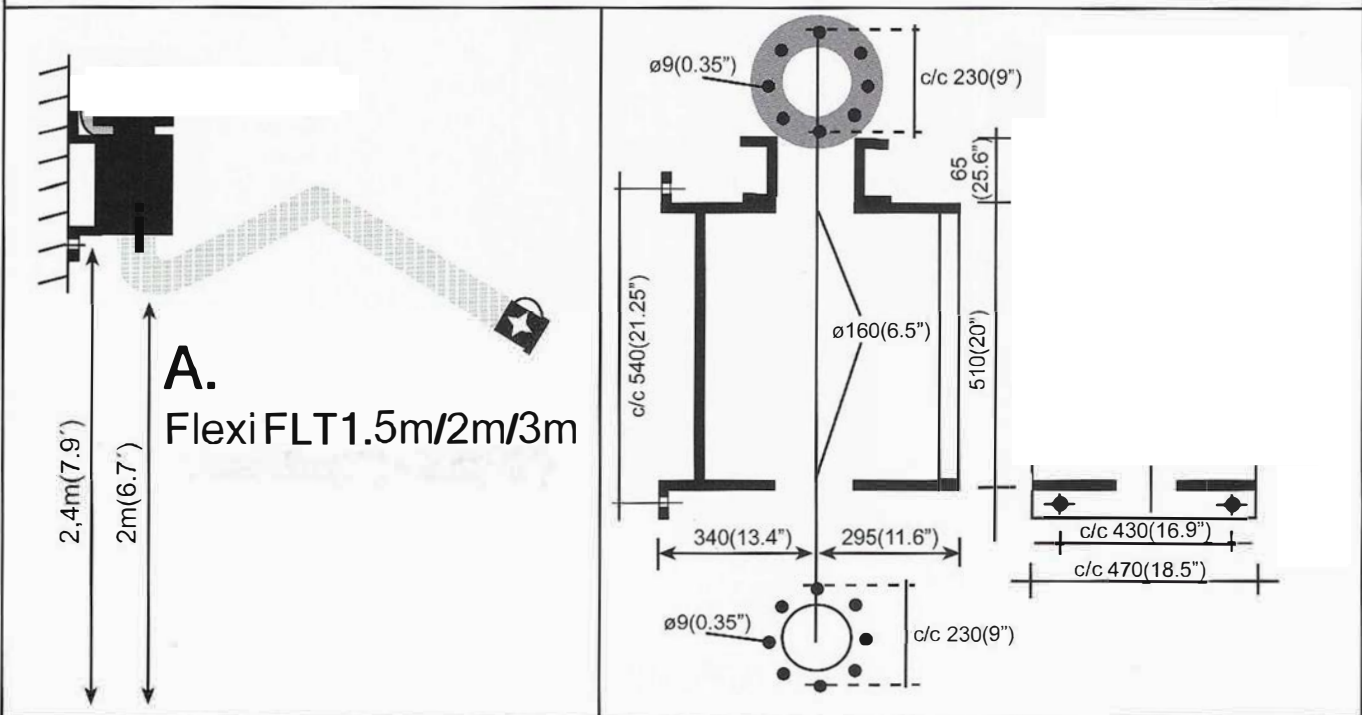


Take out Filter Cartridge. Please see 2.2 below.
Follow height measures below.

A. For Flexi FLT Extraction-Arm 1.5m/2m/3m.

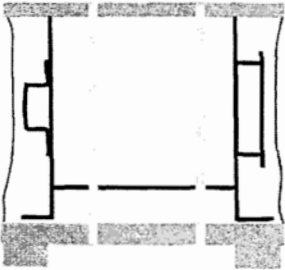
B. For Flexi Horizontal Extraction-Arm 4m/5m.

Wait to put in Filter Cartridge until you have mounted Extraction-Arm or Inlet Flange.

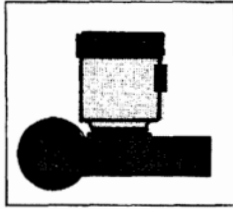


1.5 Mounting of Fan and Flexi FLT Extraction-Arm 1.5-5m.

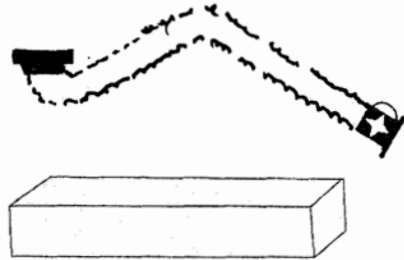
Please check delivery.



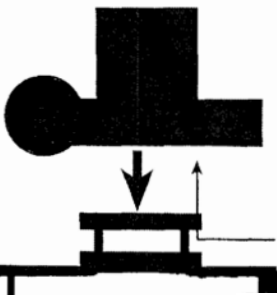
Wall-Flex unit



P-Max Fan

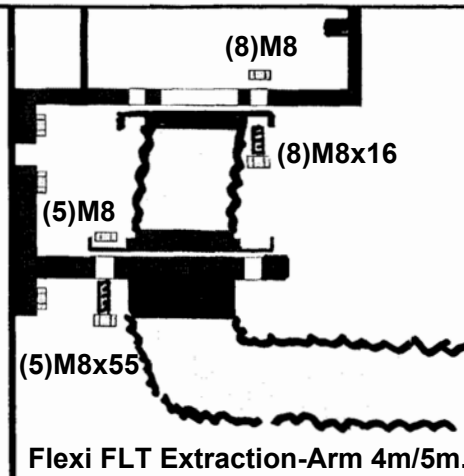


Extraction-Arm 1.5-5m

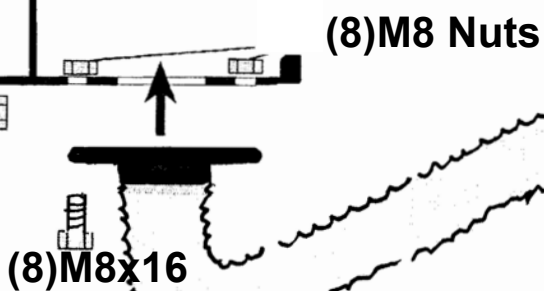


(8)M8x16

Take out Filter Cartridge
before mounting of
Extraction-Arm !!



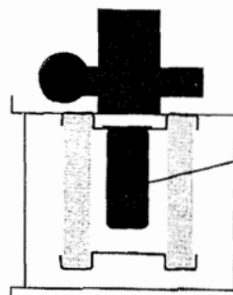
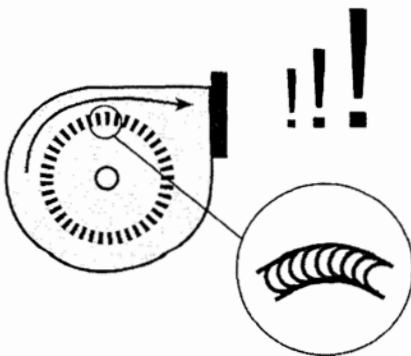
Flexi FLT Extraction-Arm 4m/5m.



(8)M8 Nuts

(8)M8x16

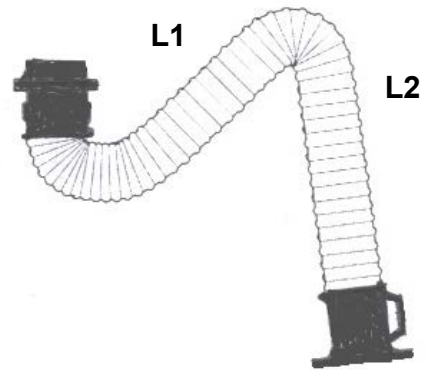
Flexi FLT Extraction-Arm 1.5/2/3m



Active Carbon Fleece
(Accessory)
Art. No. P-085+P-107

Flexi FLT Extraction-Arm 1.5m/2m/3/d.160mm/d.200mm.

Both diameters have the same length measures.



Arm	L1	L2	Weight	Max. Length
1,5 m	500 mm	400 mm	14 kg	1500 mm
2,0 m	800 mm	600 mm	15 kg	2000 mm
3,0 m	1400 mm	1200 mm	17 kg	3000 mm

Flexi FLT General Information.

The Flexi FLT Extraction-arms (1.5-3m Models), for Ceiling mounting or for mounting at the bottom side of WF/WF-Eco filter units, are designed for extraction of dust, fume and gases. They have a swivel which allows the Arm to be rotated 360 degrees. The flame-proof flexible hose, with covered steespiral, has a parallelogram system inside to balance the hose and hood. This makes the Hood extremely easy to move to a new position and it will stay there.

The Flexi FLT Steel Hood is black painted and can be turned 90 degrees in all directions. It can easily be positioned at any point within the working area. With it's rectangular form it has the ability to catch fume, dust and gases in the most efficient way.

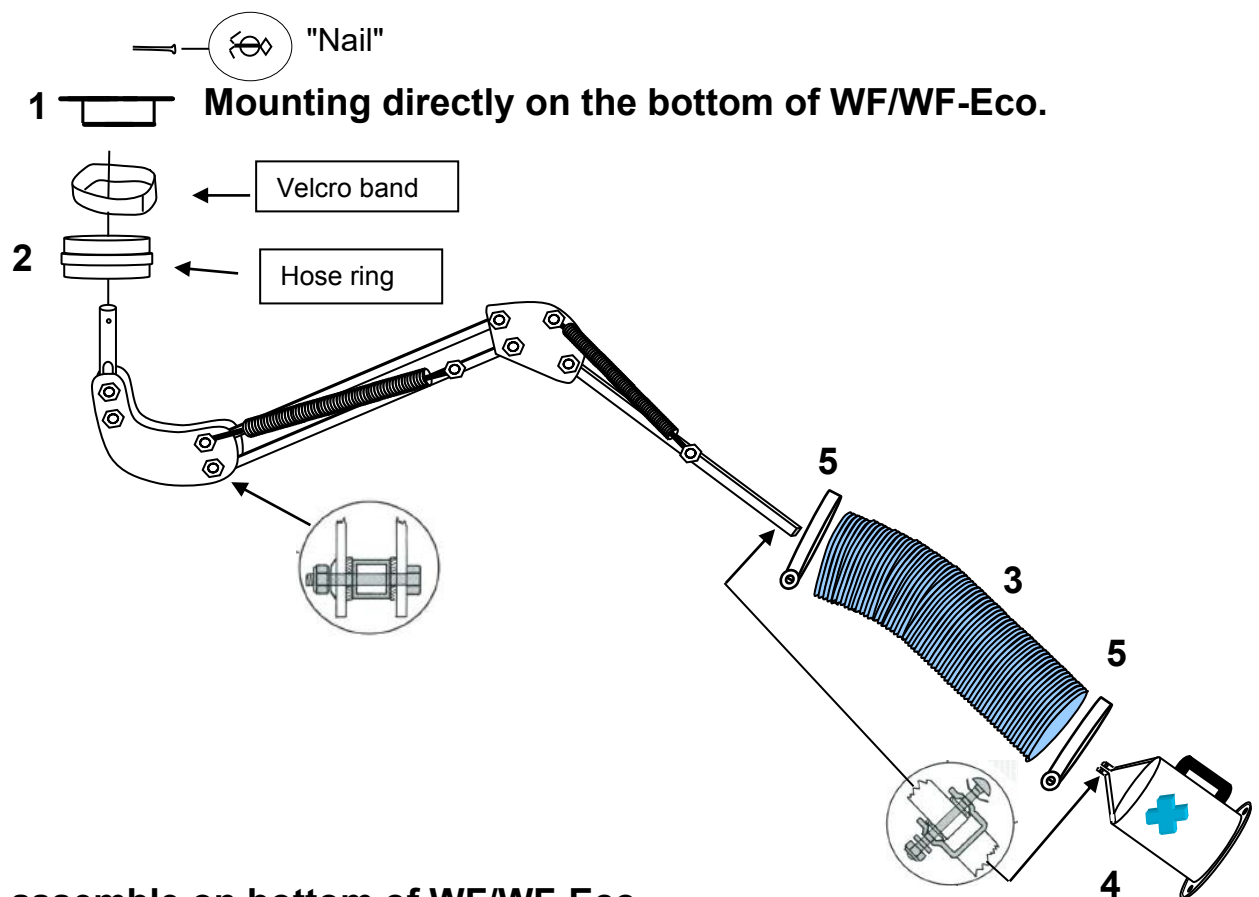
The Flexi FLT Extraction-Arms (1.5-3m Models) shall be mounted directly to the prepared holes around the inlet on the bottom side of the WF/WF-Eco filter units.

Longer Extraction-Arms have to be mounted on the wall and be connected to the WF/WF-Eco unit.

Max. temperature for the exhausted air is 70 degrees Celsius.

1.6.2 Assembling Instruction FLT.

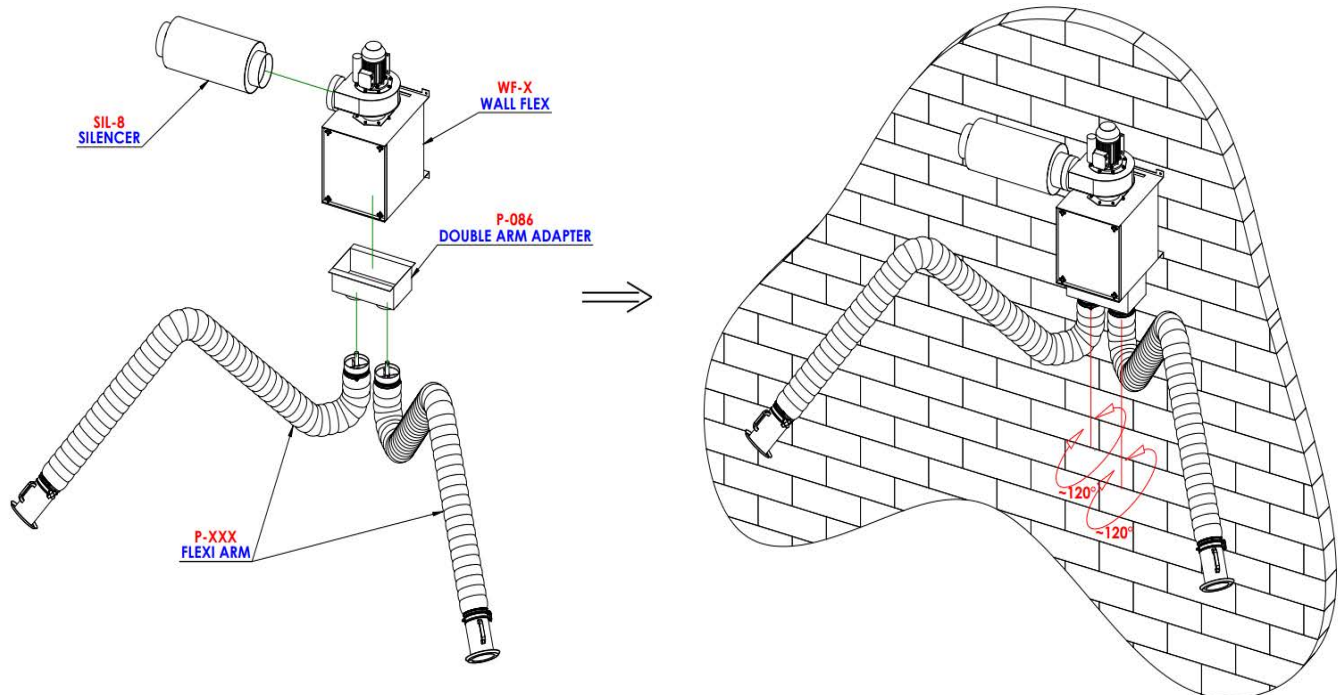
Assembling instruction for Flexi FLT Extraction-Arms 1.5/2m/3m.
Dia.160/200mm.



To assemble on bottom of WF/WF-Eco.

1. Mount the Swivel on the bottom of the Wall Flex Box.
2. Mount the parallelogram arm. Fix with "Nail". Don't tighten the joints. They are factory adjusted.
3. Pull the hose over the parallelogram arm.
4. Mount the hood
5. Fasten the hose with the hose clamps.

1.7 Accessories



1. Active Carbon Fleece Holder (P-085) . Has to be mounted to use Carbon Fleece.
2. Active Carbon Fleece (P-107).
3. Double Arm Adapter (P-086).

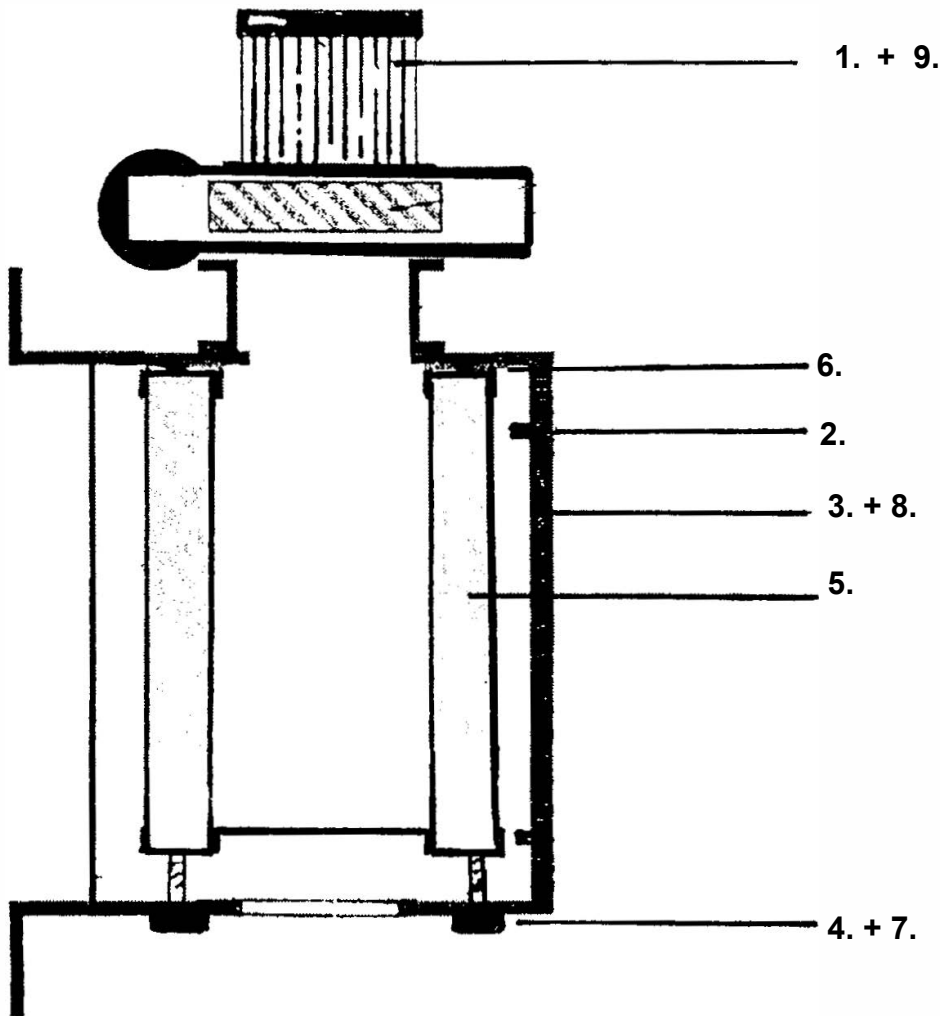
2.0 Maintenance

2.1 General Information.

The Wall-Flex Extraction Filters are robust and normally don't need much maintenance. However the following should be checked at least 2 times a year.

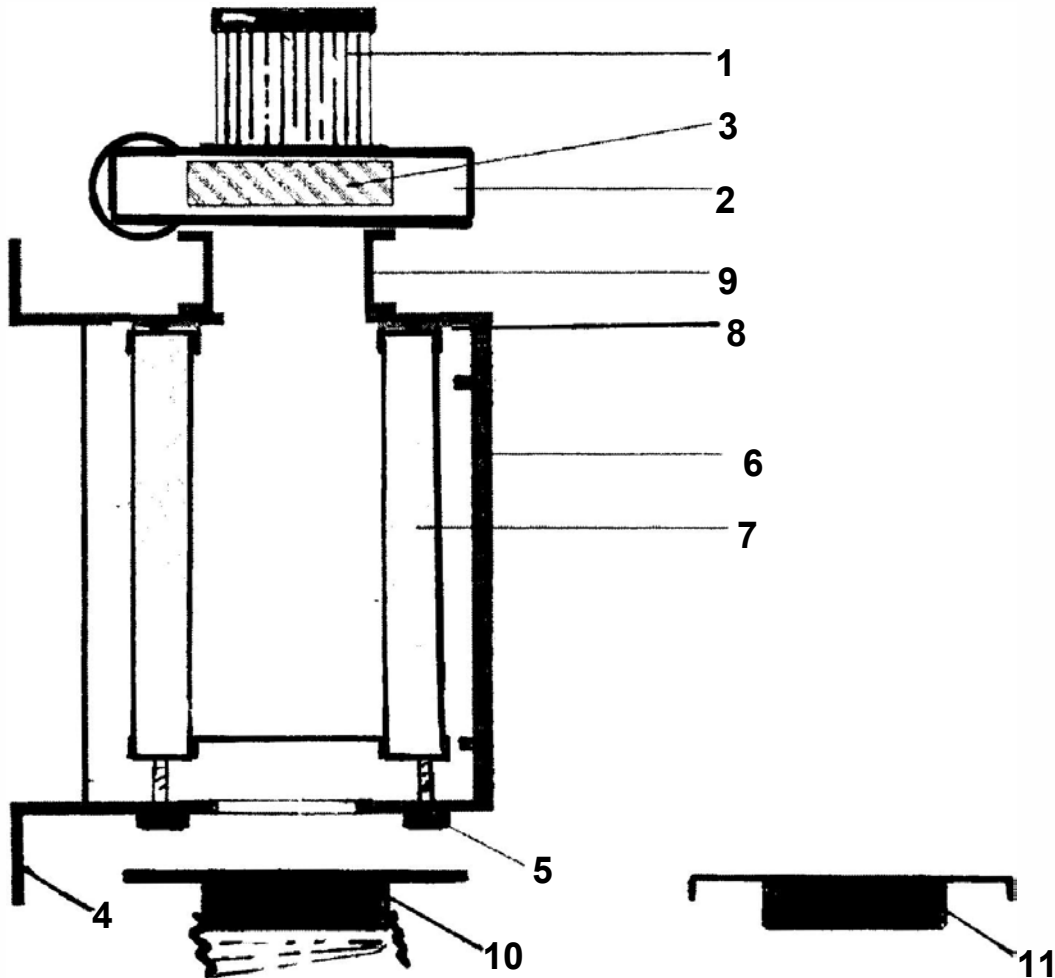
- 1. Check that all bolts are tight.**
- 2. Check if the extraction is good enough. If not replace the filter cartridge. Please see "2.2 Change of Filter Cartridge".**
- 3. Switch the unit off and check that the Filter Cartridge is tight against the top of the inside.**
- 4. If the Wall-Flex is equipped with an Extraction-Arm check the hose. Small holes are no problem.**
- 5. If the Extraction-Arm doesn't stay in position, loosen the hose and tighten the friction joints.**

2.2 Change of Filter Cartridge.



- 1. Switch off Fan or Extraction System!!!**
- 2. Open the 4xExenter Locks on the Door and lift it off.**
- 3. Place the Door in a safe place.**
- 4. Unwind the two Wing Bolts on the outside of the bottom enough to be able to get the Filter Cartridge out.**
- 5. Use adequate safety clothing and pull out the Filter Cartridge. Dispose of the Used Cartridge according to local Laws and regulations.**
- 6. Put in a Replacement Filter Cartridge with the open side and the Rubber Seal upwards.**
- 7. Check that the cartridge is standing flat on the Guides.**
- 8. Tighten the two Wing Bolts until the rubber seal is fitting tightly.**
- 9. Mount the Door. Lock with the Exenter Locks.**
- 10. Switch on the Fan or Extraction System again. Ready for use!**

2.3.1 Spare Parts. Wall-Flex + P-Max Fan.



When ordering spare parts please specify:

1. Name and P-number of your product.
2. Number/Numbers and text from below.
3. Quantity of each number/numbers.

1/2/3. Fan 0.75kW/3-phase/400V/50-60Hz.

4. Wall-Flex Steel Box.

5. Holders for Filter Cartridge.

6. Door with Exenter Locks.

7. Filter Cartridge with Opening upwards.

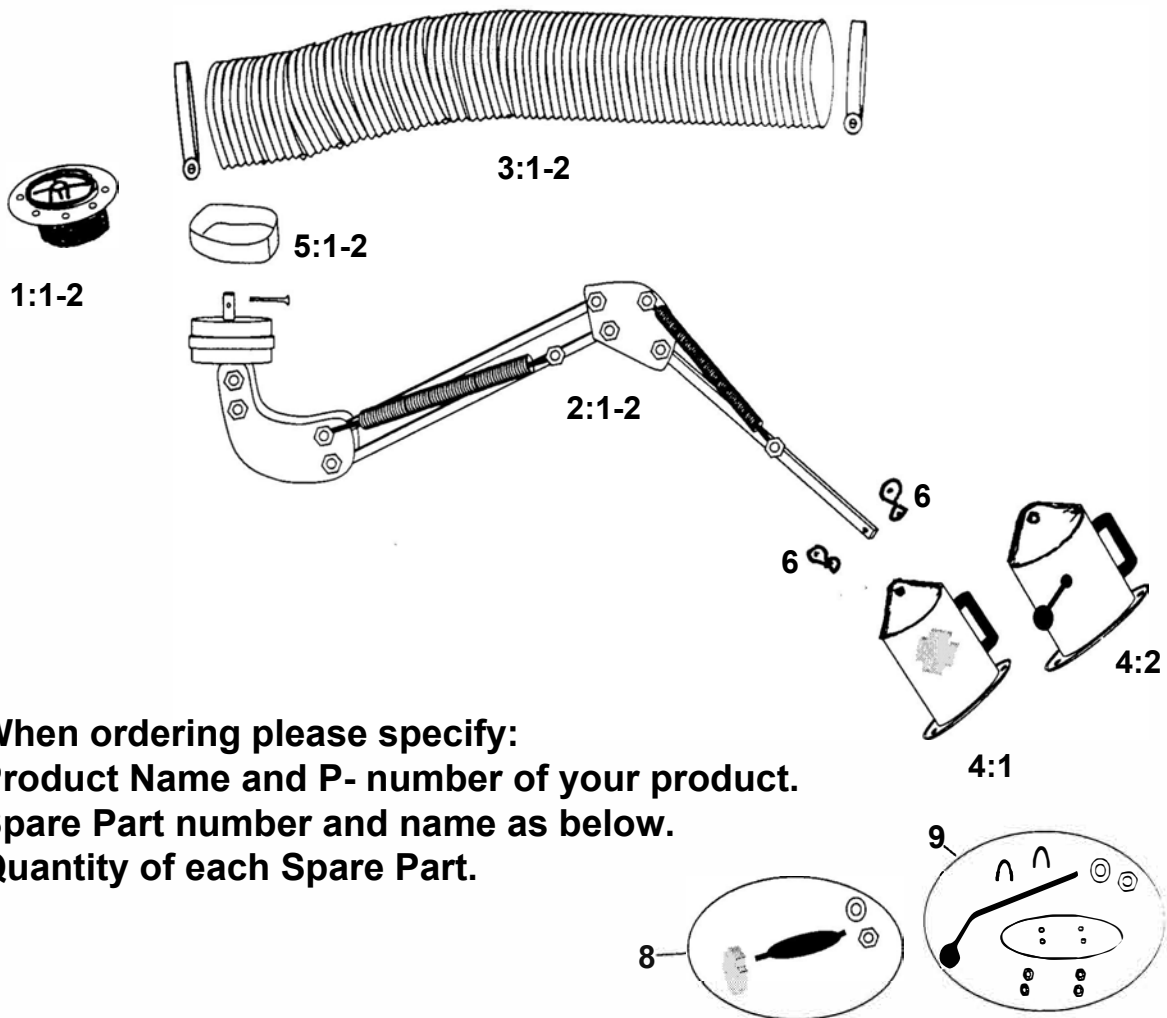
8. Rubber Seal at Topside/Openside of Filter Cartridge.

9. Fan Adapter (Included in Wall-Flex).

10. FLB Extraction-Arm 1m/2m/3m.

11. Inlet Flange d.160mm or 200mm (Accessory).

2.3.2 Spare Parts Flexi FLT Extractor-Arms 1.5/2/3m.



**When ordering please specify:
Product Name and P- number of your product.
Spare Part number and name as below.
Quantity of each Spare Part.**

No	Specification	Flexi		
		1,5m	2m	3m
1:1	Vertical Bracket Dia.160mm			
1:2	Vertical Bracket Dia. 200mm			
2:1	Parallelogram Ø 160mm	R-148	R-150	R-152
2:2	Parallelogram Ø 200	R-149	R-151	R-153
3:1	Hose set Ø 160mm	R-075	R-075	R-076
3:2	Hose set Ø 200mm	R-082	R-082	R-083
4:1	Hood ø 160 mm	R-155	R-155	R-155
4:2	Hood ø 200 mm	R-156	R-156	R-156
5:1	Velcro band Ø 160mm	R-157	R-157	R-157
5:2	Velcro band Ø 200mm	R-158	R-158	R-158
6	Joint Set complete	-	-	-
8	Damper set Ø 160mm	R-159	R-159	R-159
9	Damper set Ø 200mm	R-160	R-160	R-160



Declaration of conformity

We, J. Plymoth AB, declare under our sole responsibility that the product lines **WF/WF-Eco, MF-F9/HEPA, MF-Active Carbon, MF-HEPA/W3 18M2, MF-Eco/F9, MF-Eco/HEPA, MF-Filter-Tables, MF-Eco Filter-Tables, FK-Mesa Backdraft Filter-Tables, MKF Filter-Tables, Labbe, MF-Lab, MF-Eco Lab, CF Central Filters, Mobi-Oil, NX-Filters, Denta-Flex, Fica-Flex and VBF-Office** to which this declaration relates are in conformity with Directives 2006/42/EC, 2014/30/EU, 2011/65/EU and Standards EN 60204-1:2006, EN ISO 12100:2010, EN ISO 15012-1:2013, EN 61000-6-2005, EN 61000-6-3:2007, EN ISO 20607:2019.

J. Plymoth AB
Traryds Allen 4D
28772 Traryd


Jenny Nilsson
Verkställande Direktör

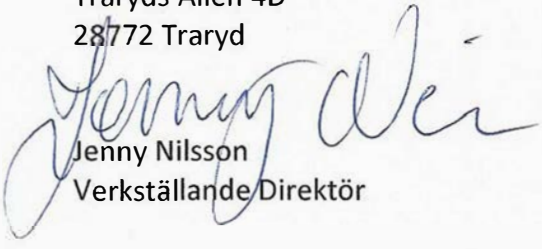
2023-01-01



Declaration of conformity

We, J. Plymoth AB, declare under our sole responsibility that the product lines **Flexa, Chemikus, Flexi, Super-Max and Super-Vac** to which this declaration relates is in conformity with Directives 2006/42/EC and Standards EN ISO 12100:2010 and EN ISO20607;2019.

J. Plymoth AB
Traryds Allen 4D
28772 Traryd


Jenny Nilsson
Verkställande Direktör

2023-01-01