

ORIGINAL[®] Plymoth

Technical Data

Flexi: Ceiling/Wall-Filter 1.5m, 2m, 3m, 4m and 5m.

Flexi: Table/Mobile-Filter 1.5m, 2m, 3m

Dia. 160mm/200mm.



Ceiling/Wall-Filter



Table/Mobile-Filter

General Information.

The Flexi Ceiling/Wall-Filter and Table/Mobile-Filter Extraction-Arms are designed to extract fume and gases. They have a swivel which allows the Arm to be rotated 360 degrees. The flame-proof flexible hose, with covered steelspiral, has a parallelogram system inside to balance the hose and hood. This makes the Hood extremely easy to move to a new position and will stay there.

The Flexi steel hood is black painted and can be turned 90 degrees in all directions. It can easily be positioned at any point within the working area.

The Flexi Ceiling/Wall-Filter Extraction-Arms can be connected to a Hanging Filter-Unit (1.5-3m models) or to the Ceiling (1.5-5m models) with a central fan system.

The Flexi Table/Mobile-Filter Extraction Arms can be mounted on a table or on a Plymoth Mesa-Table with a central fan system. They can also be mounted on a Mobile-Filter. There are 1.5m, 2m and 3m models.

Max allowed vacuum is 1600Pa.

Max temperature of the exhausted air is 70 Degrees Celsius.

Recomended airflow for d.160mm Arms is 600-1000m³/h.

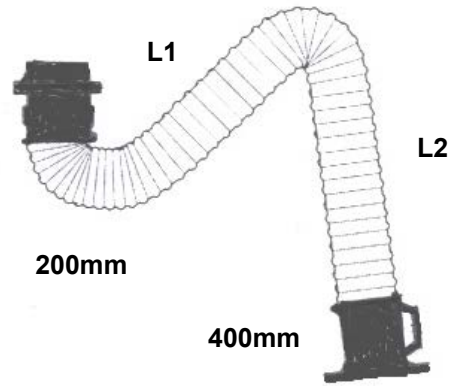
Recomended airflow for d.200mm Arms is 1000-2000m³/h.

Measures.

Flexi: Table/Mobile-Filter and Ceiling/Wall-Filter Extraction-Arms. 1.5m, 2m and 3m.

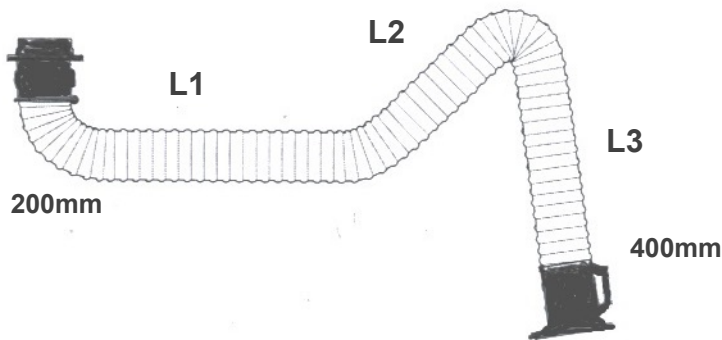
D.160mm and d.200mm.

Both both models and diameters have the same length measures.



Arm	L1	L2	Weight	Max. Length
1,5 m	500 mm	400 mm	14 kg	1500 mm
2,0 m	800 mm	600 mm	15 kg	2000 mm
3,0 m	1400 mm	1200 mm	17 kg	3000 mm

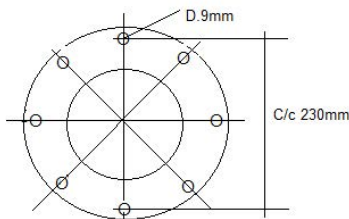
Flexi: Ceiling Extraction-Arms 4m-5m. D.160mm/200mm.



Arm	L1	L2	L3	Weight	Max. Length
4,0 m	600 mm	1400 mm	1200 mm	22 kg	4000 mm
5,0 m	1700 mm	1400 mm	1200 mm	26 kg	5000 mm

Swivel for D.160mm and D.200mm Flexi Arms.

The Swivel Bolts must each stand a torque force of min. 1000N.



Pressure Drop Pa.

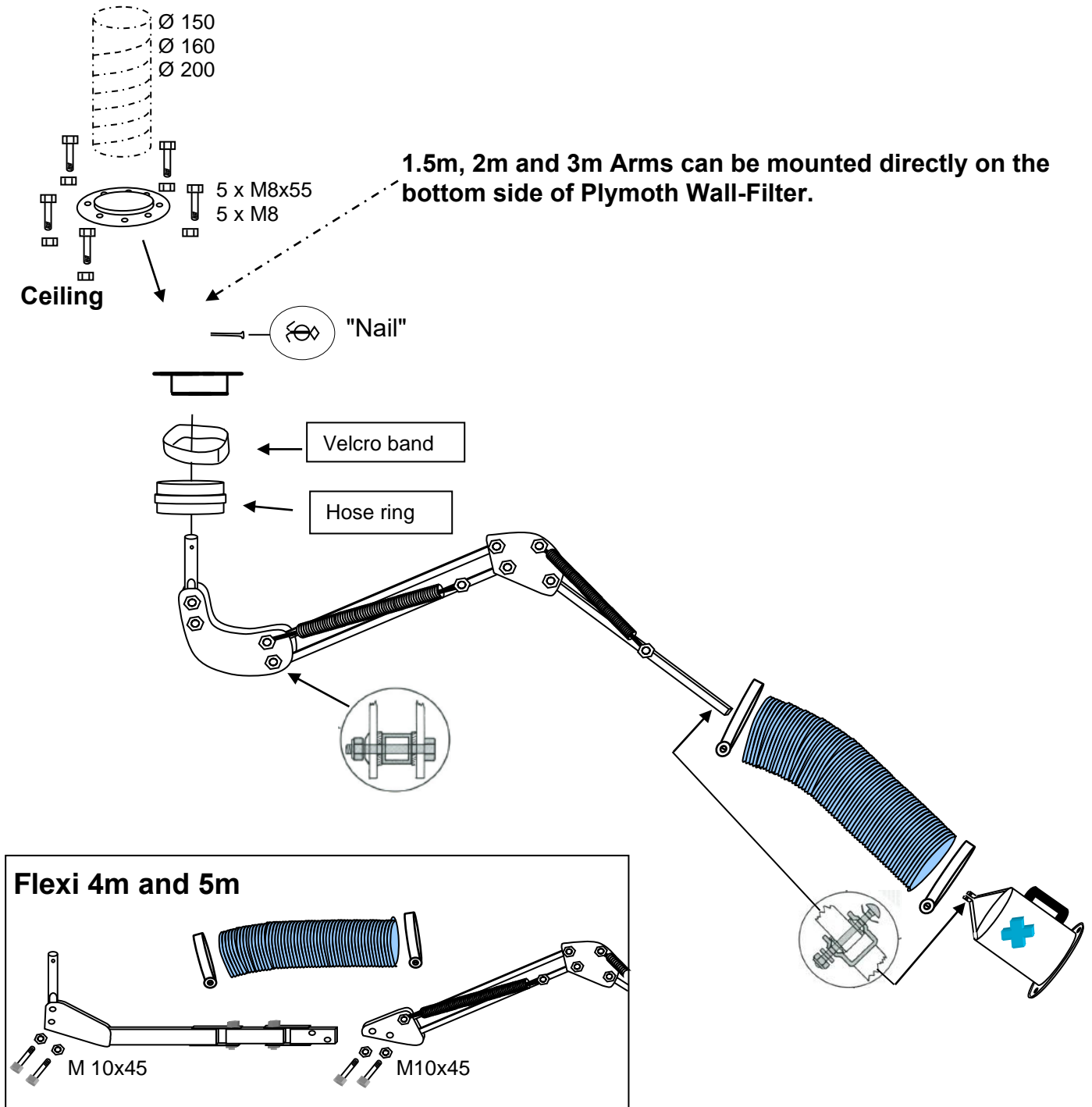
Ø 160mm	- Arm -	500m³/h	600 m³/h	700 m³/h	800 m³/h	900 m³/h	1.000 m³/h
	1.5-2m	180 Pa	270 Pa	360 Pa	450 Pa	600 Pa	810 Pa
	3m	200 Pa	290 Pa	400 Pa	510 Pa	660 Pa	900 Pa
	4m	220 Pa	310 Pa	450 Pa	580 Pa	730 Pa	990 Pa
	- Crane						
	5m	250 Pa	330 Pa	490 Pa	650 Pa	820 Pa	1.080 Pa
	6m	260 Pa	350 Pa	510 Pa	680 Pa	860 Pa	1.130 Pa
	7m	270 Pa	370 Pa	540 Pa	710 Pa	900 Pa	1.180 Pa
	8m	290 Pa	380 Pa	560 Pa	740 Pa	935 Pa	1.220 Pa
	9m	300 Pa	400 Pa	540 Pa	770 Pa	970 Pa	1.260 Pa

Ø 200mm	- Arm -	1.200m³/h	1.600 m³/h	2.000 m³/h	2.400 m³/h
	1.5-2m	170 Pa	310 Pa	440 Pa	720P
	3m	190 Pa	347 Pa	480 Pa	800 Pa
	4m	290 Pa	520 Pa	730 Pa	1.200 Pa
	- Crane				
	4m	290 Pa	520 Pa	730 Pa	1.200 Pa
	5m	310 Pa	560 Pa	770 Pa	1.280 Pa
	6m	330 Pa	590 Pa	810 Pa	1.360 Pa
	7m	360 Pa	620 Pa	870 Pa	1.440 Pa
	8m	390 Pa	660 Pa	900 Pa	1.520 Pa
	9m	400 Pa	700 Pa	950 Pa	1.600 Pa

Assembling Instruction.

Assembling instruction Ceiling/Wall-Filter Extraction-Arms 1.5-5m.
Dia.160/200mm.

The procedure is the same for Table/Mobile-Filter Arms(1.5m, 2m and 3m) they are just standing on the swivel instead.



Assembly

1. Mount the Swivel.
2. Mount the parallelogram arm. Fix with "Nail".
Don't tighten the joints. They are factory adjusted.
3. Pull the hose over the parallelogram arm.
4. Mount the hood
5. Fasten the hose with the hose clamps.



Declaration of conformity

We, J. Plymoth AB, declare under our sole responsibility that the product lines **Flexa, Chemikus, Flexi, Super-Max and Super-Vac** to which this declaration relates is in conformity with Directives 2006/42/EC and Standards EN ISO 12100:2010 and EN ISO20607;2019.

J. Plymoth AB
Traryds Allen 4D
28772 Traryd


Jenny Nilsson
Verkställande Direktör

2023-01-01