

Technical Data



Wall-Flex Active Carbon 30Ltr. + Fan P-Max + Flexi FLT Extraction Arm. For Gases and Odors.

- **Filter Unit with 30Ltr. Active Carbon Cartridge and Prefilter.**
- Suitable for Gases and Odors by Cleaning/Degrasing, Gluing/Bonding, Screen Printing, Molding, Conservation etc.
- Can be equipped with P-Max Fan or be connected to Extraction System.
- Can be connected to duct or hose on inlet side. D.160mm Flange is included.
- Can be equipped with Flexi FLT Extraction-Arm (1.5-3m) on the bottom side.
- Can be connected to longer Extraction-Arms. Has to be mounted on the wall.
- Adapter for 2 Extraction-Arms (1.5-3m) as Accessory.

General Information

Wall Flex Active Carbon has a 30Ltr. Active Carbon Cartridge with a prefilter fleece outside. It is easy to be replaced when it is full.

Replace it when the filtration is not good enough for the work you do.

The unit can be equipped with a P-Max Fan or be connected to an Extraction System.

Wall Flex can be equipped with Flexi FLT Extraction-Arm/Arms (1.5m/2m/3m) mounted directly to the bottom of the unit. For 2 Arms you need an Adapter (P-086. Accessory).

With a d.160mm Inlet Flange you can connect the inlet side to a duct or a hose.

The Door has 4 expander locks to make it easy to open and lock. 4 locks make sure that the door is tight.

To replace the filter cartridge you open the door. Unwind the Wing Bolts on the bottom side of the unit. You can then pull out the cartridge and replace it with a new one. The disposal of the contaminated cartridge has to be according to local regulations. Always use suitable safety clothing.

Before you install the Wall Flex Box on the wall you must take out the filter cartridge to be able to mount an Extraction Arm or Inlet Flange on the bottom.

Be sure you mount the filter cartridge with the Rubber Seal and Opening upwards when you put it back. Tighten the Wing Bolts so the cartridge rubber seal is tightening.

Safety Note

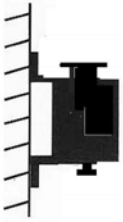
Always disconnect the electricity supply before opening the Wall Flex Active Carbon unit.

Don't exhaust Sparks or Dust. Use adequate safety clothing when replacing dirty filter cartridges. Dispose of used filter cartridges according to local laws and regulations.

Range of Application.

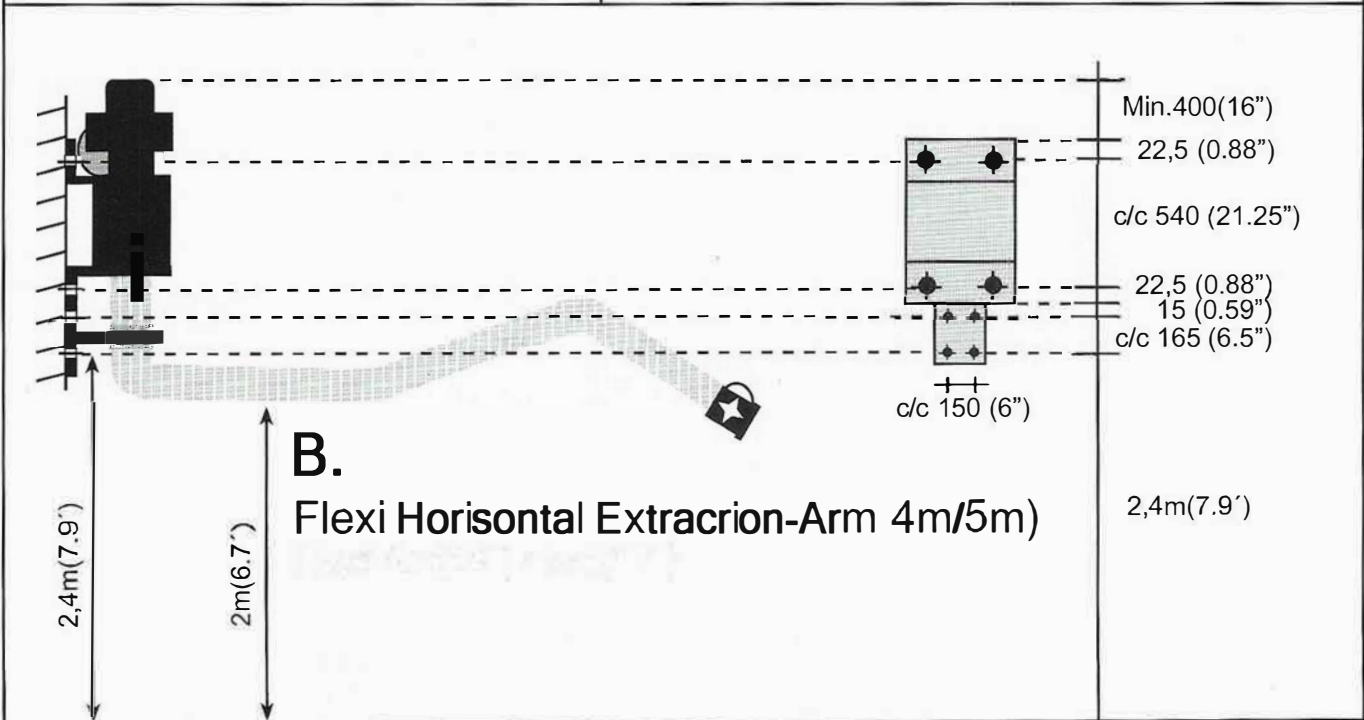
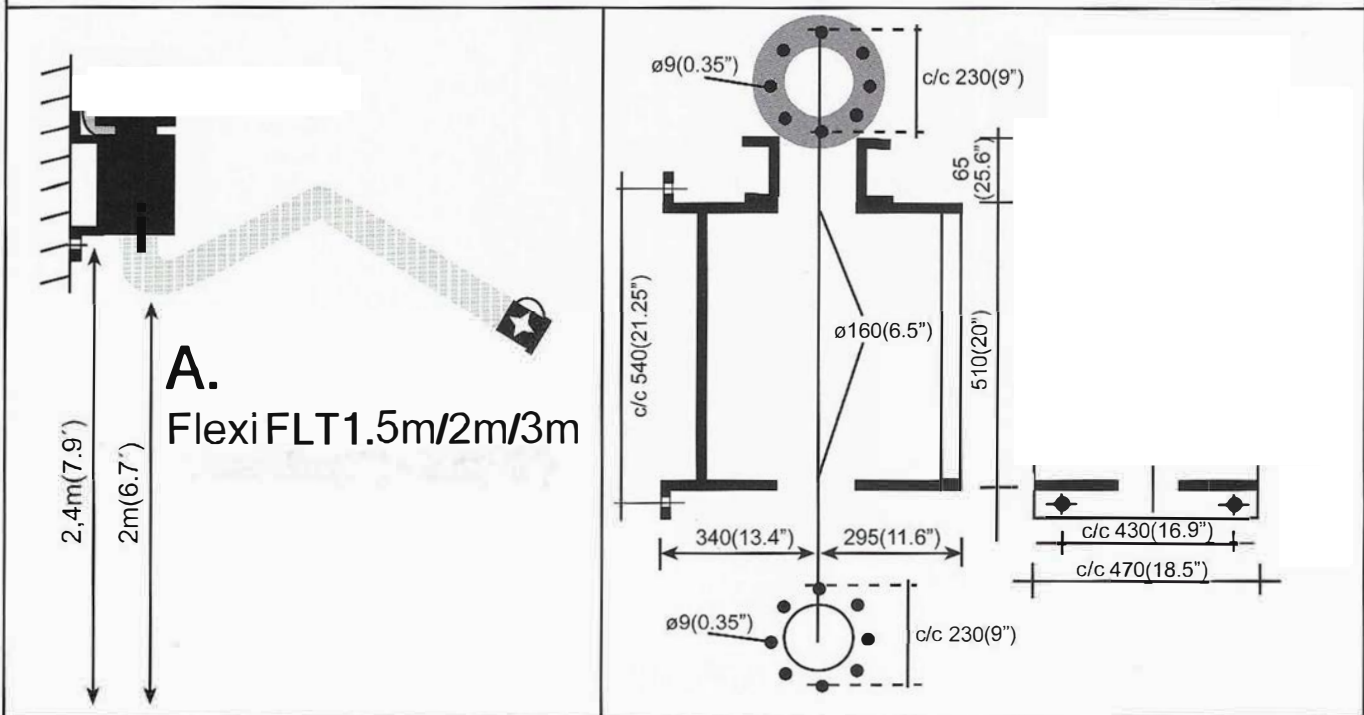
Wall Flex Active Carbon Extraction Filter is designed for extraction and filtering of Gases and Odors. It can be equipped with a P-Max Fan or be connected to an extraction system. The extraction has to be according to local laws and regulations. Only for use indoors.

Installation of Wall Flex Box on the Wall.



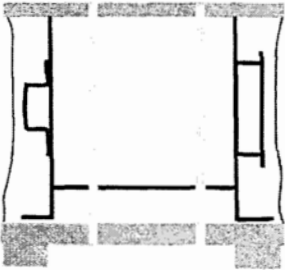
Take out Filter Cartridge.
 Follow height measures below.
 A. For Flexi FLT Extraction-Arm 1.5m/2m/3m.
 B. For Flexi Horizontal Extraction-Arm 4m/5m.

Wait to put in Filter Cartridge until you have mounted Extraction-Arm or Inlet Flange.

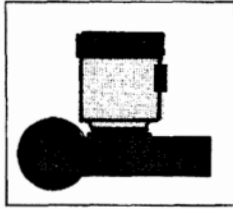


Mounting of Fan and Flexi FLT Extraction-Arm 1.5-5m.

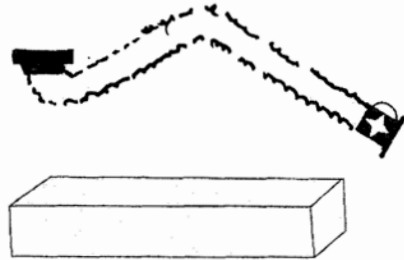
Please check delivery.



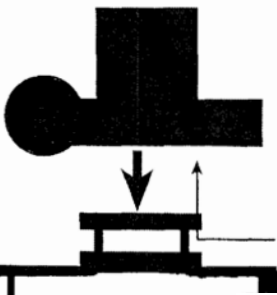
Wall-Flex unit



P-Max Fan

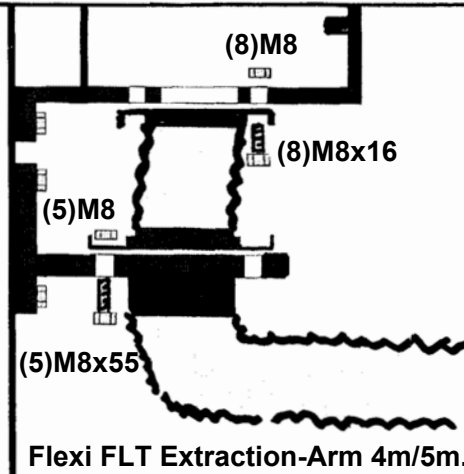


Extraction-Arm 1.5-5m

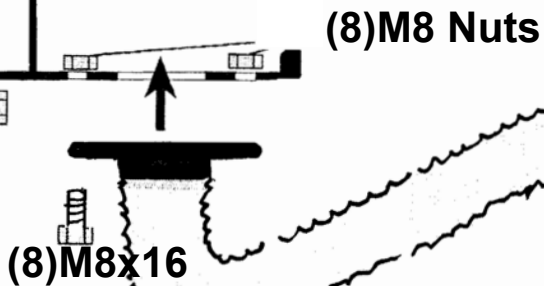


(8)M8x16

Take out Filter Cartridge before mounting of Extraction-Arm !!



Flexi FLT Extraction-Arm 4m/5m.

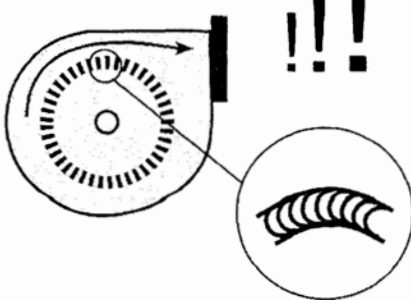


(8)M8 Nuts

(8)M8x16

Flexi FLT Extraction-Arm 1.5/2/3m

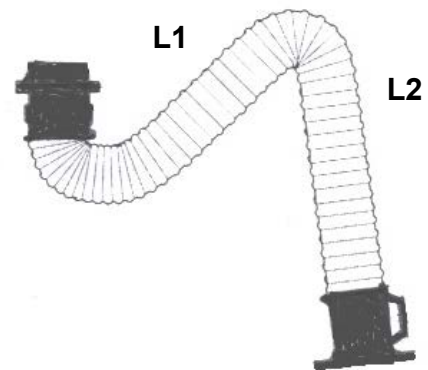
Fan rotation.



The Fan has to be installed by a certified Electrician.

Flexi FLT Extraction-Arm 1.5m/2m/3/d.160mm/d.200mm.

Both diameters have the same length measures.



Arm	L1	L2	Weight	Max. Length
1,5 m	500 mm	400 mm	14 kg	1500 mm
2,0 m	800 mm	600 mm	15 kg	2000 mm
3,0 m	1400 mm	1200 mm	17 kg	3000 mm

Flexi FLT General Information.

The Flexi FLT Extraction-arms (1.5-3m Models), for Ceiling mounting or for mounting at the bottom side of WF/WF-Eco filter units, are designed for extraction of dust, fume and gases. They have a swivel which allows the Arm to be rotated 360 degrees. The flame-proof flexible hose, with covered steespiral, has a parallelogram system inside to balance the hose and hood. This makes the Hood extremely easy to move to a new position and it will stay there.

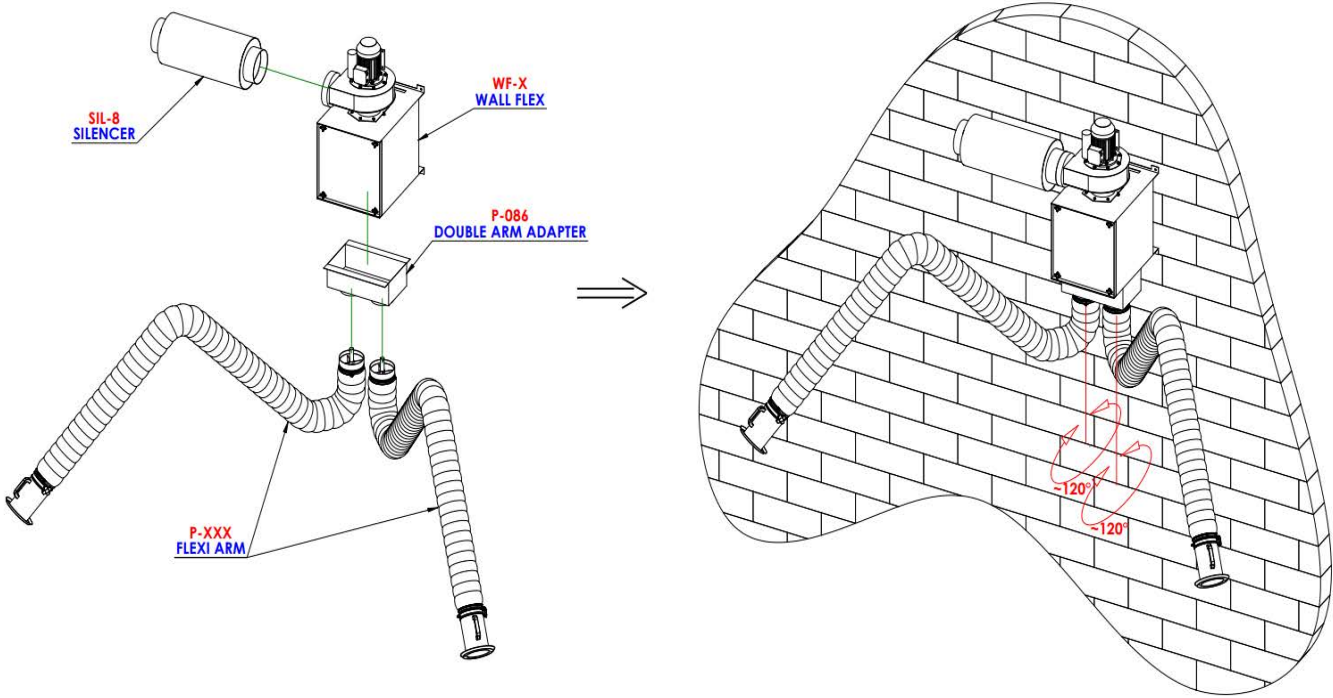
The Flexi FLT Steel Hood is black painted and can be turned 90 degrees in all directions. It can easily be positioned at any point within the working area. With it's rectangular form it has the ability to catch fume, dust and gases in the most efficient way.

The Flexi FLT Extraction-Arms (1.5-3m Models) shall be mounted directly to the prepared holes around the inlet on the bottom side of the WF/WF-Eco filter units.

Longer Extraction-Arms have to be mounted on the wall and be connected to the WF/WF-Eco unit with a Hose or Ducting.

Max. temperature for the exhausted air is 70 degrees Celsius.

Accessories



1. Double Arm Adapter (P-086).



Declaration of conformity

We, J. Plymoth AB, declare under our sole responsibility that the product lines **WF/WF-Eco, MF-F9/HEPA, MF-Active Carbon, MF-HEPA/W3 18M2, MF-Eco/F9, MF-Eco/HEPA, MF-Filter-Tables, MF-Eco Filter-Tables, FK-Mesa Backdraft Filter-Tables, MKF Filter-Tables, Labbe, MF-Lab, MF-Eco Lab, CF Central Filters, Mobi-Oil, NX-Filters, Denta-Flex, Fica-Flex and VBF-Office** to which this declaration relates are in conformity with Directives 2006/42/EC, 2014/30/EU, 2011/65/EU and Standards EN 60204-1:2006, EN ISO 12100:2010, EN ISO 15012-1:2013, EN 61000-6-2005, EN 61000-6-3:2007, EN ISO 20607:2019.

J. Plymoth AB
Traryds Allen 4D
28772 Traryd


Jenny Nilsson
Verkställande Direktör

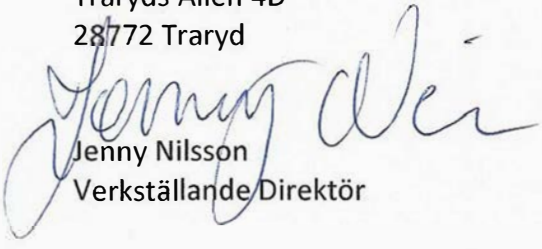
2023-01-01



Declaration of conformity

We, J. Plymoth AB, declare under our sole responsibility that the product lines **Flexa, Chemikus, Flexi, Super-Max and Super-Vac** to which this declaration relates is in conformity with Directives 2006/42/EC and Standards EN ISO 12100:2010 and EN ISO20607;2019.

J. Plymoth AB
Traryds Allen 4D
28772 Traryd


Jenny Nilsson
Verkställande Direktör

2023-01-01