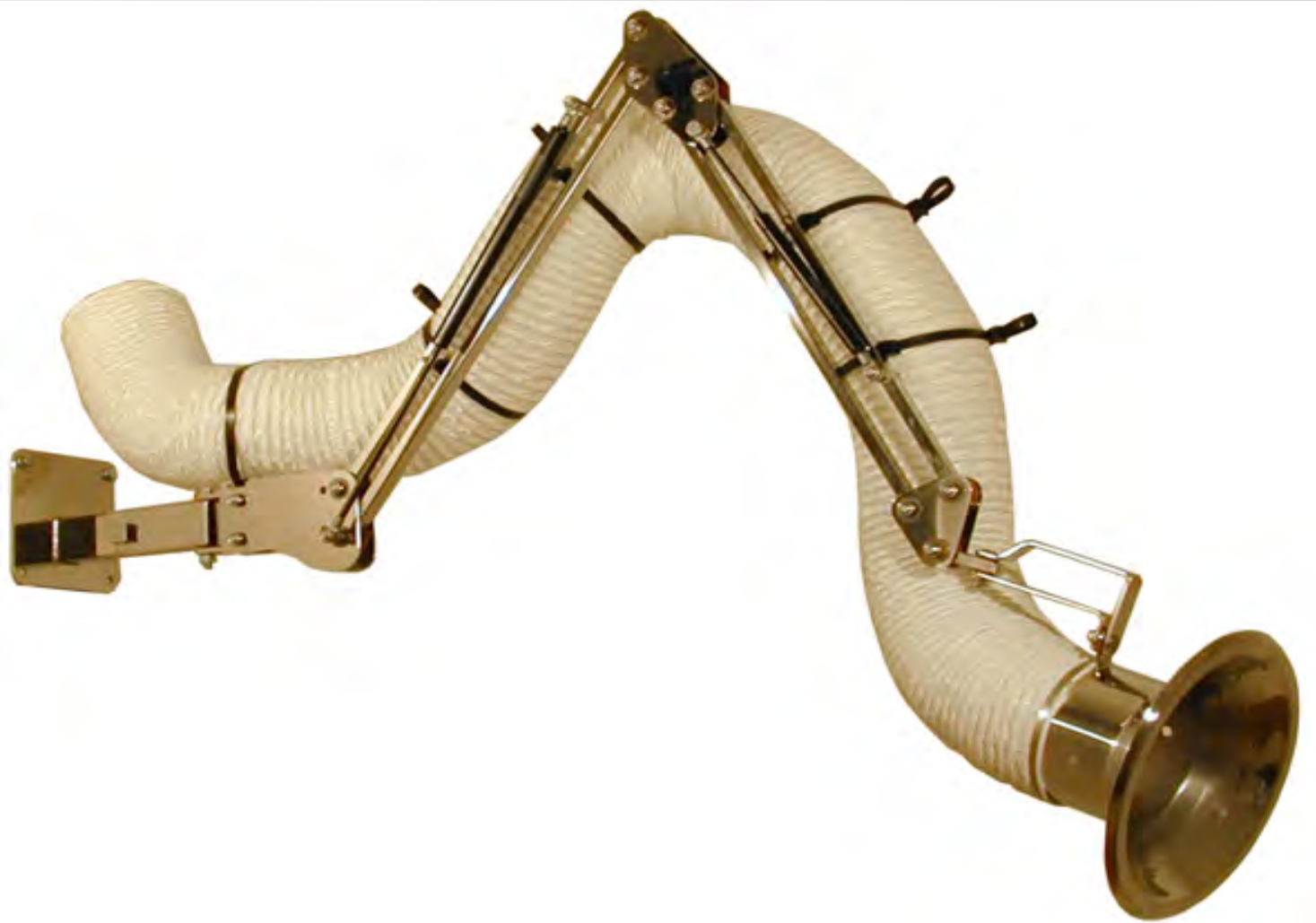


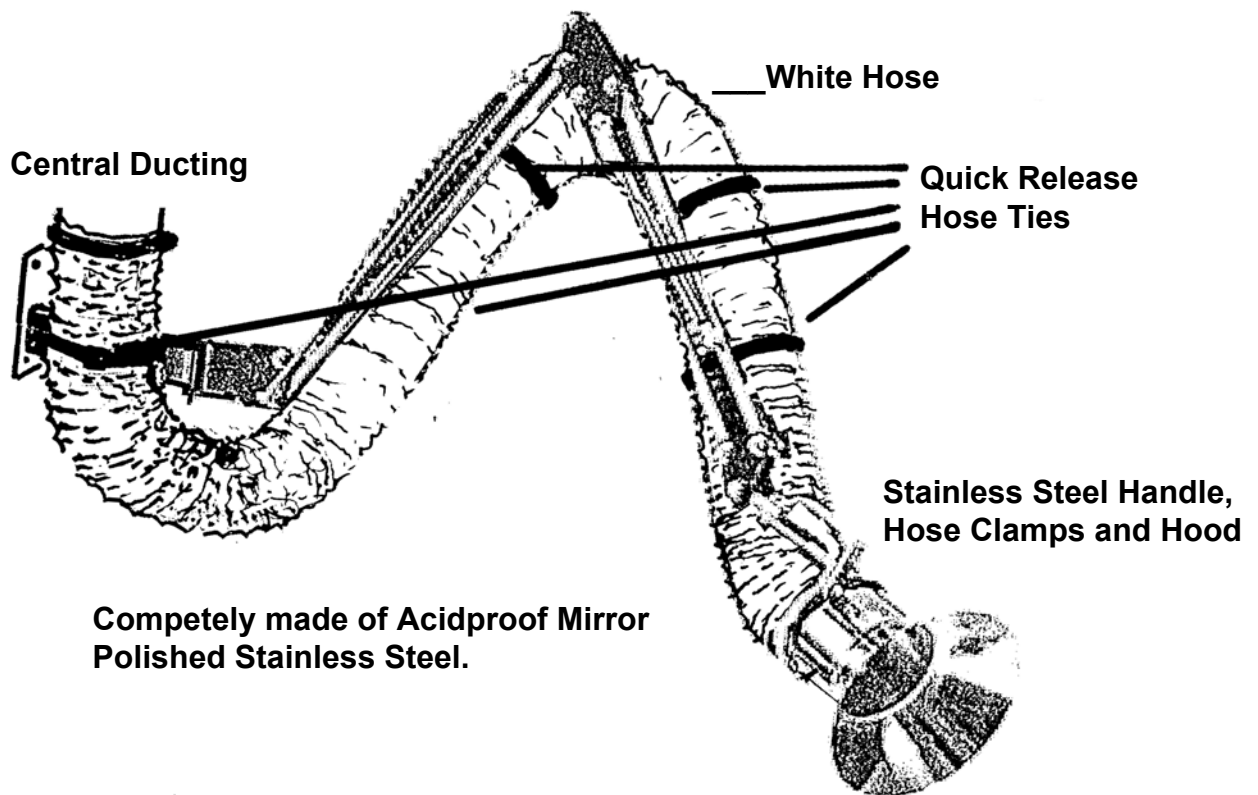
# **\*Technical Data.**



## **Super-M Extraction-Arm dia.160mm.**

- **Extraction-Arm for use in Chemical, Pharma and Food Industry.**
- **Completely made of Acid Proof Mirror Polished Stainless Steel.**
- **Perfect for extracting Dust, Fume and Gases before it is inhaled.**
- **Parallelogram-Arms and Gas Springs outside. Free Flow in the Hose.**
- **Extremely easy to move and stays in position.**
- **Models: 1.5m/2m/2.2m/2.5m/3m and 4m.**
- **Hood 42<sup>o</sup>**
- **Suitable for use by Controlling, Measuring, Weighing, Filling, Blending, Mixing, Emptying, Packaging and similar work situations.**

## Unit Description Super-M dia.160mm.



**Super-M Extraction-Arms** are designed to extract fume, light dust and gases in corrosive environments.

The flexible PVC Hose, with covered steel spiral, is balanced by Parallelogram-Arms with Gas Springs. It makes the Hood Extremely easy to move and it stays in position.

Free flow in the hose gives lower pressure drop and less maintenance.

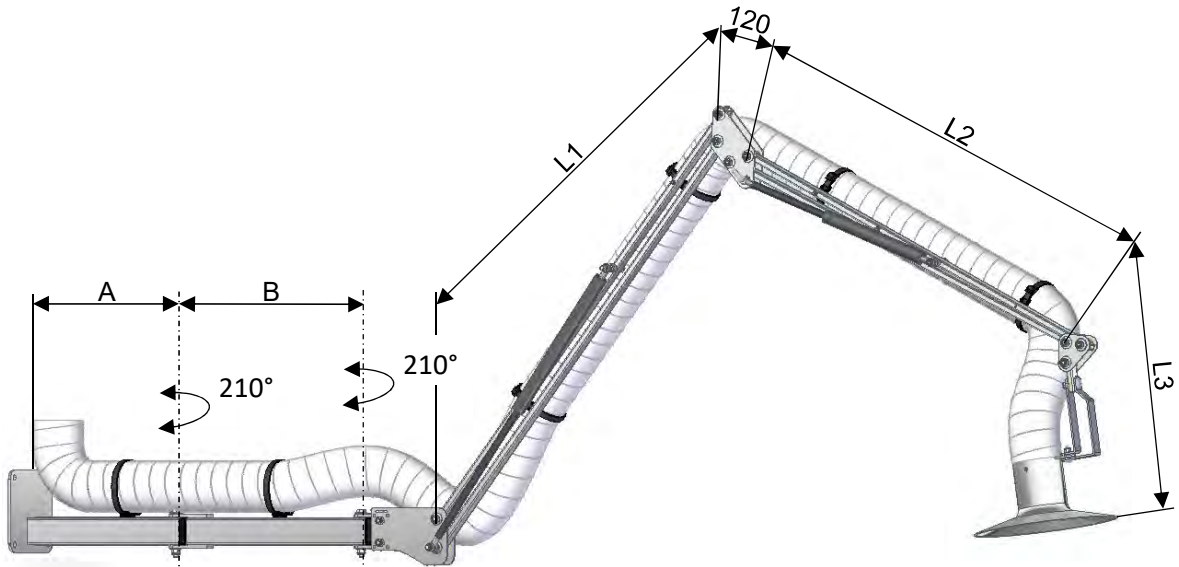
The Hood can be turned  $90^{\circ}$  in all directions. It is easy to position at any point within the working area.

The Hood can be equipped with a Stainless Steel Damper (Accessory).

The Super-M Extraction-Arm shall be connected to a an exhaust system designed for the work situation. Max allowed vacuum is 1500Pa.

Recomended Airflow for dia.160mm Models is 700-1300m<sup>3</sup>/h.

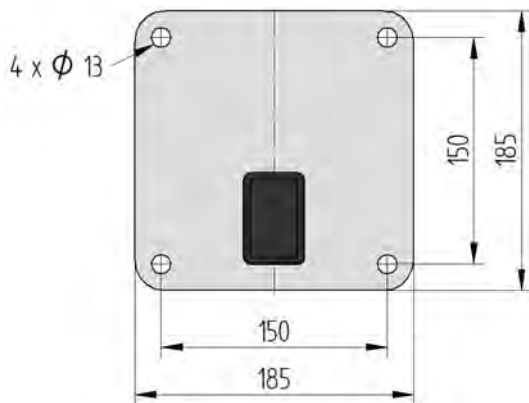
## Measures Super-M dia.160mm Extraction-Arms.



### Important for all Super-M Models.

Each of the Wallbracket Bolts must stand a min. Traction Power of 1600N.

### Wallbracket Measures



### Hood 42° for Ø160mm Hose



	A	B	L1	L2	L3	Weight	Length
1,5 m	250 mm	-	435 mm	335 mm	480 mm	14 kg	1750 mm
2,0 m	500 mm	-	435 mm	335 mm	480 mm	15 kg	2000 mm
2,2 m	250 mm	-	665 mm	565 mm	480 mm	17 kg	2250 mm
2,5 m	500 mm	-	665 mm	565 mm	480 mm	18 kg	2500 mm
3,0 m	500 mm	-	1165 mm	960 mm	480 mm	24 kg	3350 mm
4,0 m	500 mm	500 mm	1165 mm	960 mm	480 mm	27 kg	3850 mm

# Pressure Drop Super-M dia.160mm.



## Ø 160mm Extraction-Arms.

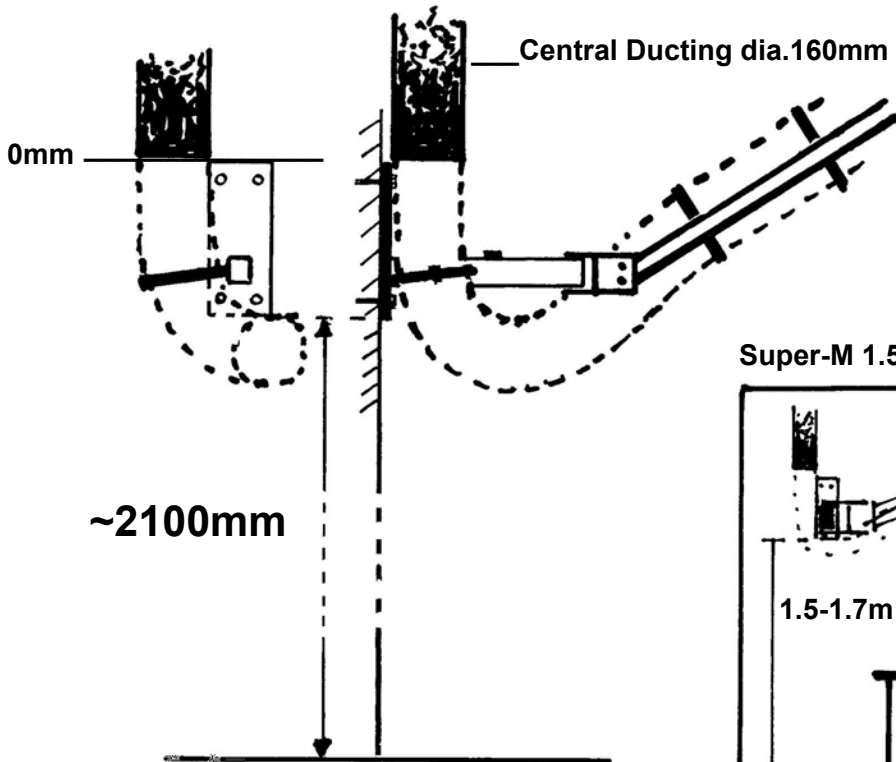
Extraction-Arm	700m <sup>3</sup> /h	1.000 m <sup>3</sup> /h	1.200 m <sup>3</sup> /h	1.300 m <sup>3</sup> /h
1.5-2.5m Ø 160mm	350 Pa	550 Pa	700 Pa	780 Pa
3m Ø 160mm	375 Pa	600 Pa	750 Pa	850 Pa
4m Ø 160mm	400 Pa	650 Pa	800 Pa	900 Pa



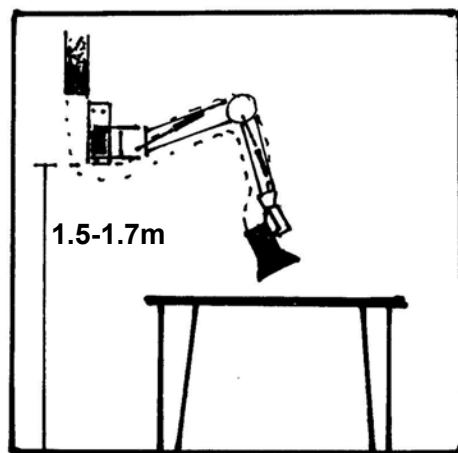
# Installation.

## Mounting Height and Connection of Hose to Central Ducting.

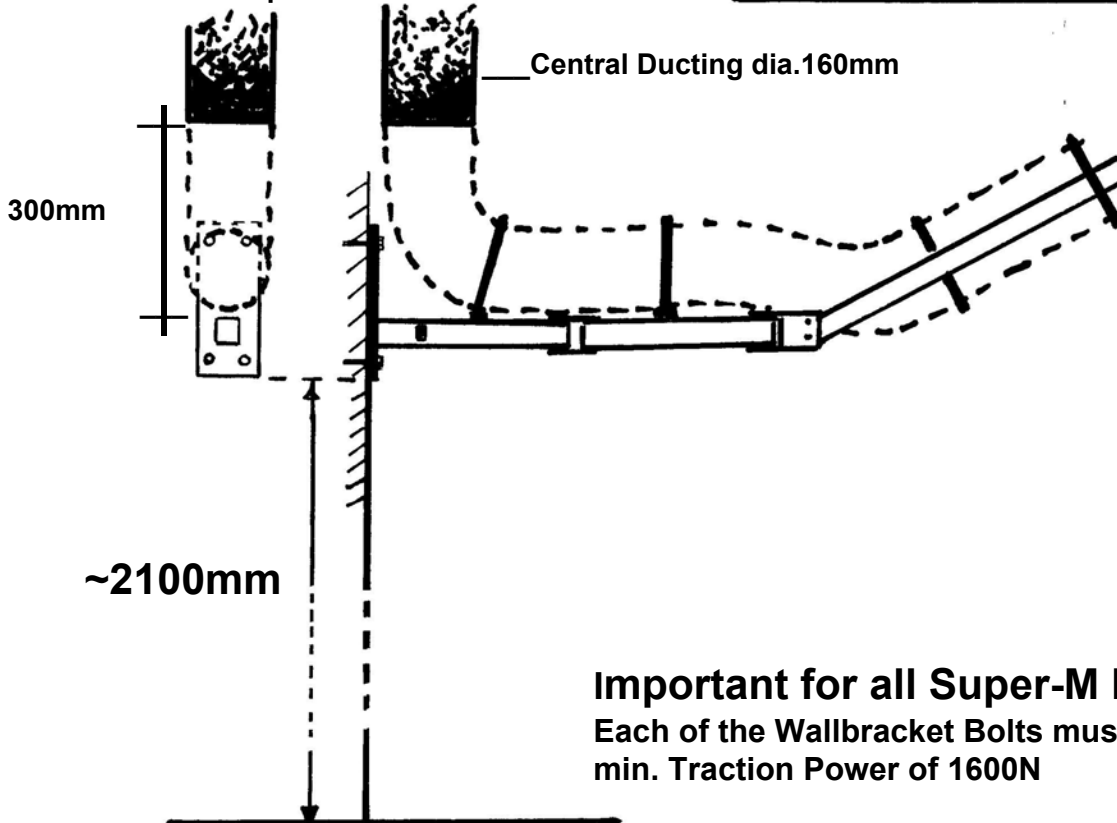
Super-M 2m/2.2m/2.5m and 3m



Super-M 1.5m dia.160mm



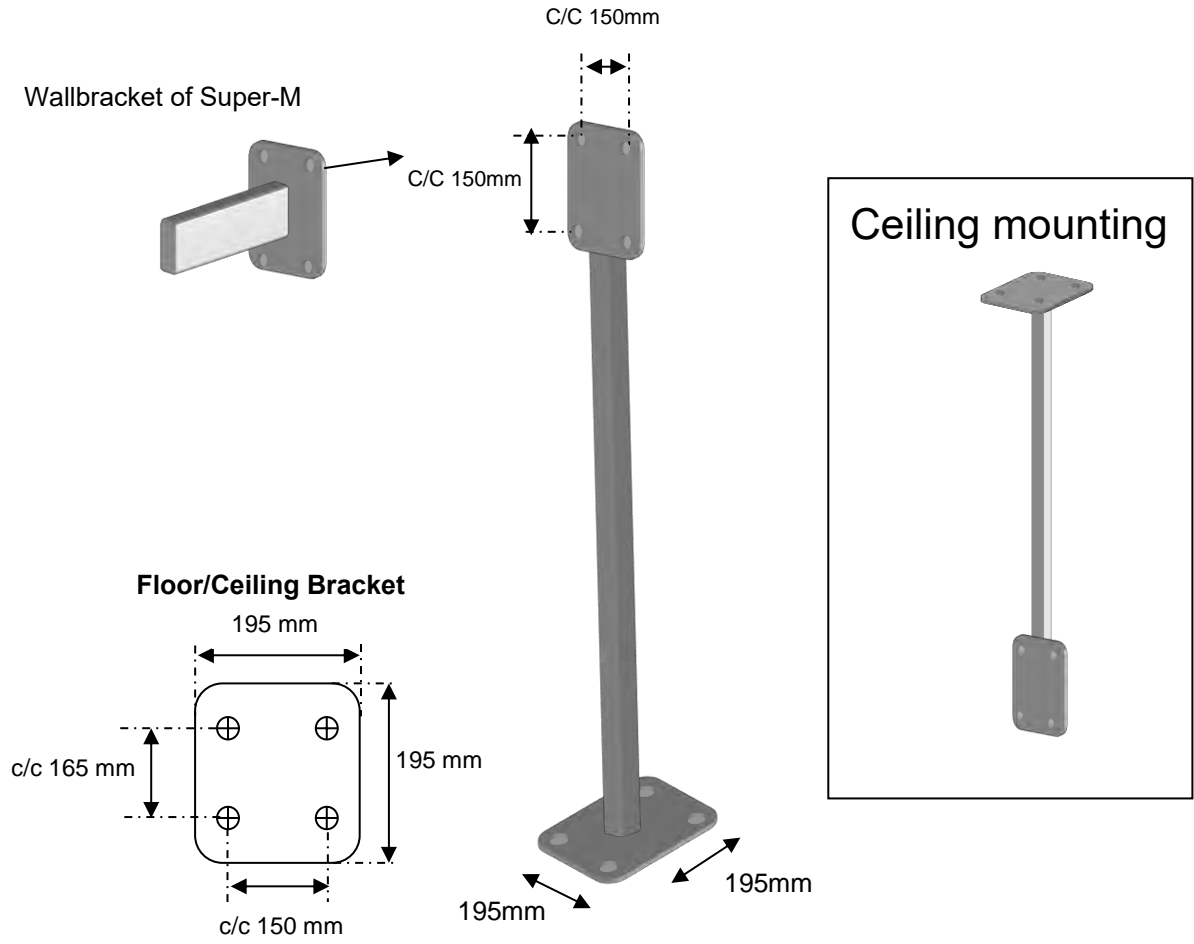
Super-M 4m



**Important for all Super-M Models!**  
Each of the Wallbracket Bolts must stand a min. Traction Power of 1600N

# Floor/Ceiling Stanchions of Acidproof Mirror Polished Stainless Steel (Accessory).

For Super-M Extraction-Arms. 1.5m/2m/2.2m/2.5m/3m/4m Length.  
Stanchion Height 0.5m-2.5m



## Acidproof Mirror Polished Stainless Steel Stanchions: Product No.

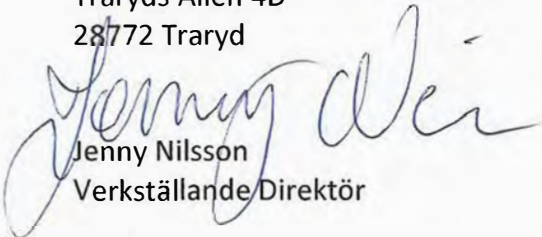
Length	Art.-Nr.
0,5m	P-999
0,75m	P-1000
1,0m	P-1001
1,25m	P-1002
1,5m	P-1003
1,75m	P-1004
2,0m	P-1005
2,25m	P-1006
2,5m	P-1007



### **Declaration of conformity**

We, J. Plymoth AB, declare under our sole responsibility that the product lines **Flexa, Chemikus, Flexi, Super-Max, Super-P, Super-PM, Super-M and Super-Vac** to which this declaration relates is in conformity with Directives 2006/42/EC and Standards EN ISO 12100:2010 and EN ISO20607;2019.

J. Plymoth AB  
Traryds Allen 4D  
28772 Traryd

  
Jenny Nilsson  
Verkställande Direktör

2023-01-01