

User Manual



CF-Active Carbon (30Ltr.) Central Extractor-Filter.

- **Extractor-Filter for 1-2 dia.160mm or 4-8 dia. 75/100mm Extraction-Arms.**
- **Perfect for Cleaning/Degreasing, Conservation, Gluing/Bonding, Moulding, Screeprinting and similar work situations.**
- **Filter Cartridge, with Prefilter-Fleece and 30Ltr. Active Carbon.**
- **The Filter Media can be changed to F9 Filter Cartridge or HEPA H13 Filterbox when/if needed.**
- **Initial Extraction volume 1400-1800m³/h.**
- **Clean Air Outlet at the Bottom of the Unit.**
- **Single Phase or Three Phase models.**

Table of Contents

1.0 General Information

1.1 Safety Note

1.2 Range of Application

1.3 Unite Description

1.4 Installation

1.5 Change of Filter

2.0 Maintenance

2.1 General Information

2.2 Spare Parts

1.0 General Information.

A CF-Active Carbon Extractor-Filter and 1-2 dia.160mm Extraction-Arms is an easy and efficient way to create a work place with clean air.

For Laboratories you can connect 4-8 dia.75mm or 100mm Extraction-Arms.

A CF-Active Carbon Extractor-Filter System is simple to install. Mount the Extraction-Arm/Arms on the wall. Mount dia.160mm or dia.75/100mm ducting upwards to a dia.200mm Horizontal Ducting. Mount a dia.200mm Horizontal Ducting to a place as close as possible and place the CF Extractor-Filter there. Bolt the unit to the floor and just plug it into an electric socket (single phase models) or let a certified electrician install it.

CF Extractor-Filters can be used for all sort of work where extraction and filtration of Gas and Odours is needed. Perfect for Cleaning/Degreasing, Conservation, Gluing/Bonding, Moulding, Screenprinting where Gas and Odours is a problem.

To replace the used Filter Cartridge is imple and just takes a few minutes.

The Door has 4 expander locks to make it easy to open and lock.
4 locks make sure that the door is tight.

To replace the Active Carbon Filter Cartridge you open the door and pull it out and replace it with a new.

The Unit can be equipped with a F9 or HEPA H13 Filter instead of the Carbon Filter if the work situation will change.

1.1 Safety Note.

Always disconnect the electricity supply before opening the CF-Unit.

Don't exhaust Sparks or Poisenous Dust.

Use adequate safety clothing when replacing dirty filters.

Dispose of used Filters according to local laws and regulations.

1.2 Range of Application.

The CF-Active Carbon Extractor Filter is designed for work situations where Gas and Odours is a problem. It is for indoor use. The unit is suitable for Gas and Odours from Cleaning/Degreasing, Conservation, Gluing/Bonding, Screenprinting etc.

The filtered air can be recirculated into the room as long it is not against local laws and Regulations.

1.3 Unit Description.

CF-Active Carbon. Central Extractor Filter.

Active Carbon 30 Ltr.

CF-Active Carbon Central Extractor Filter is equipped with a 30Ltr Active Carbon Filter Cartridge with a Pre-Filter Fleece outside. It is suitable for filtering gases and odours.

Application Examples.

1. Cleaning / Degreasing
2. Conservation
3. Gluing / Bonding
4. Moulding
5. Screen Printing

Replacement Filter Cartridge.

It is time to put in a Replacement Filter when the extraction is not satisfactory or the odours come back. It is easy to change the Filter Cartridge and will just take a few minutes.

Capacity.

4-8 Flexa/Chemikus Extraction Arms (d. 75-100mm) can be connected to a CF-Active Carbon Central Extractor Filter or 1-2 Flexi Extraction Arms (d.160mm).

Installation.

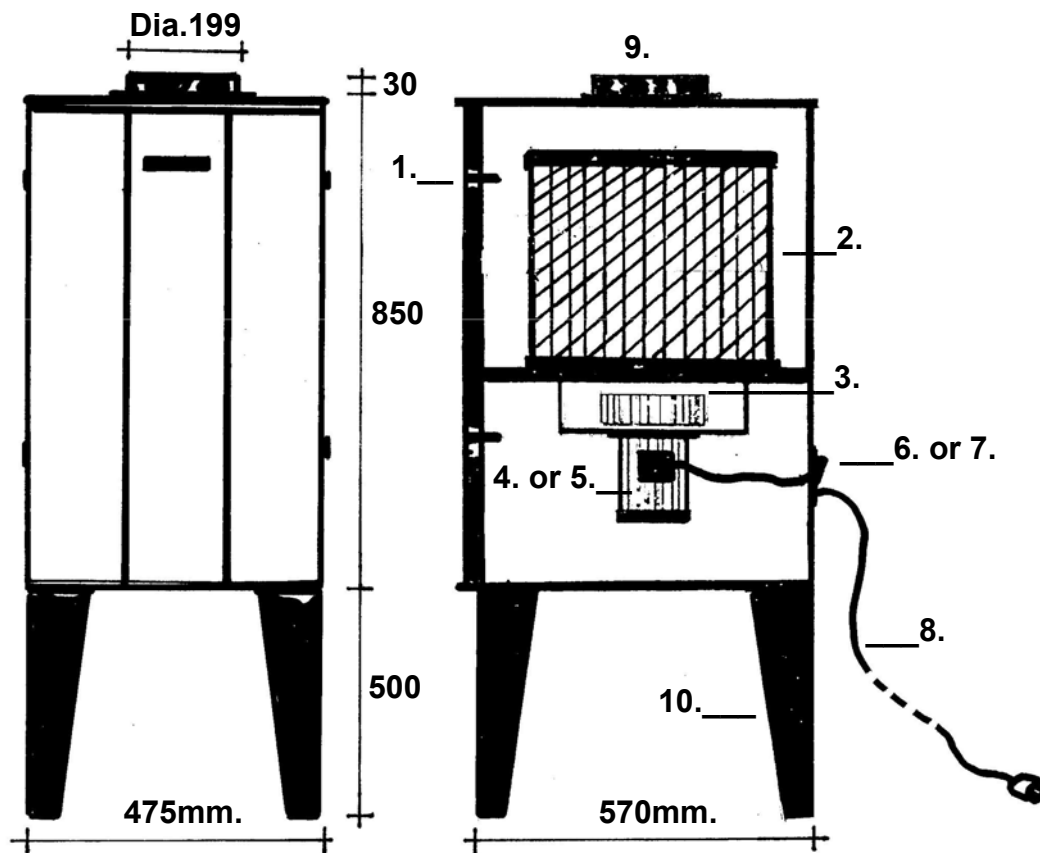
The inlet diameter is 199mm. Use dia.200mm Vertical/Horizontal ducting from the CF and go down with 75/100mm ducts to the Flexa/Chemikus Extraction Arms.

For d.160mm Flexi Extraction-Arms the vertical duct to the Arms shall be dia.160mm.



	Art. No.
CF-Active Carbon. ~1/1.1kW/220V/50Hz. 30Ltr. Active Carbon. Inlet 200mm. Legs (0.5m)	P-970
CF-Active Carbon. ~3/1.1kW/400V/50Hz. 30Ltr. Active Carbon. Inlet 200mm. Legs (0.5m)	P-971
Replacement Active Carbon Cartridge 30Ltr. For MF, WF, CF, MF-Filter Tables (High).	P-962

CF-Active Carbon Extractor-Filter.



1. Door with 4xExenter Locks.
2. Active Carbon Filter Cartridge 30Ltr. with Prefilter Fleece.
3. Impellar.
4. Electric Motor 1-phase/1.1kw/220V/50Hz.
5. Electric Motor 3-phase/1.1kw/400V/50-60Hz.
6. On/Off Switch 1-phase with overload protection.
7. Connection Box for 3-phase versions.
8. Cable and Plug for 1-phase versions.
9. Inlet Flange outside dia.199mm.
10. Legs 500mm.

Applications: CF-Active Carbon Extractor-Filter.

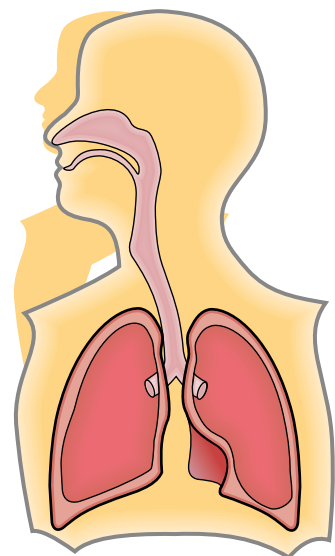
Vapour from solvents (VOC).

Nearly all solvents are Volatile Organic Compounds or liquids. They are used in a many every day applications, such as component cleaning, degreasing, and to dissolve products that are not able to be dissolved in water. They also form the drying agent in products such as adhesives, paints, and varnishes.

Vapours from these solvents have a narcotic effect that can cause tiredness, dizziness and intoxication. Vapour and gases from solvents can also enter your body by the respiratory system and then spread to the brain and liver. The vapours from solvents are also irritating for your eyes and respiratory system.

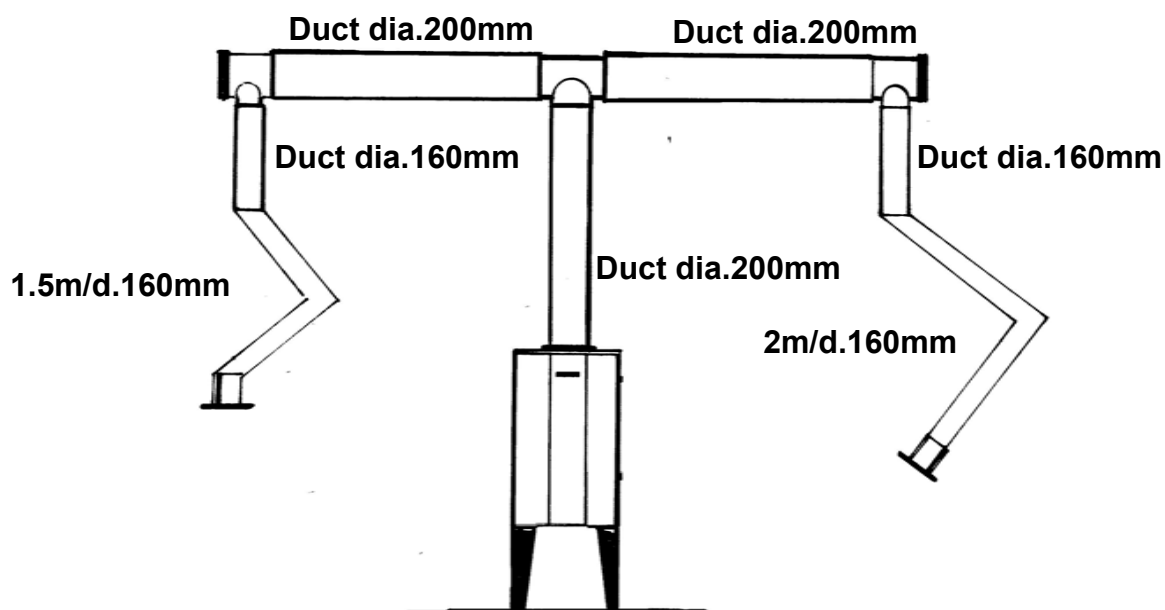
By using a CF-Active Carbon Extractor-Filter you get an effective extraction solution combined with an efficient filter system. You will reduce or eliminate the risk of working with airborne Gases and Odors.

Type of application	Hazard substances
Soldering (Electronic)	Resin, Lead, Terpene, Limonene, Borneol, Isosyanates
Solder Pot	Resin, Lead, Terpene
Gluing / Bonding	VOC1, Methylmetacrylate (MMA), Toluene, Ethyl-2-cyanoacrylate, Tetrahydrofuran, Cyklohexanone
Screen printing	Methyl ethyl ketone (MEK), Toluene
Cleaning / Degreasing	Acetone, Toluene, MEK, VOCs1
Laser cutting	Dust, metal particulate, odour
Moulding	Epoxi, Styrene
Conservation	VOCs1
Precision TIG welding	Welding fume, Gases, Ozone
Stained Glass working	Lead fume, VOCs1
Botany research	VOCs1
Sculpturing	VOCs1, silica dust, sealants



1.4 Installation.

2x160mm Extraction-Arms max.2m length (Flexi or Super-Max).



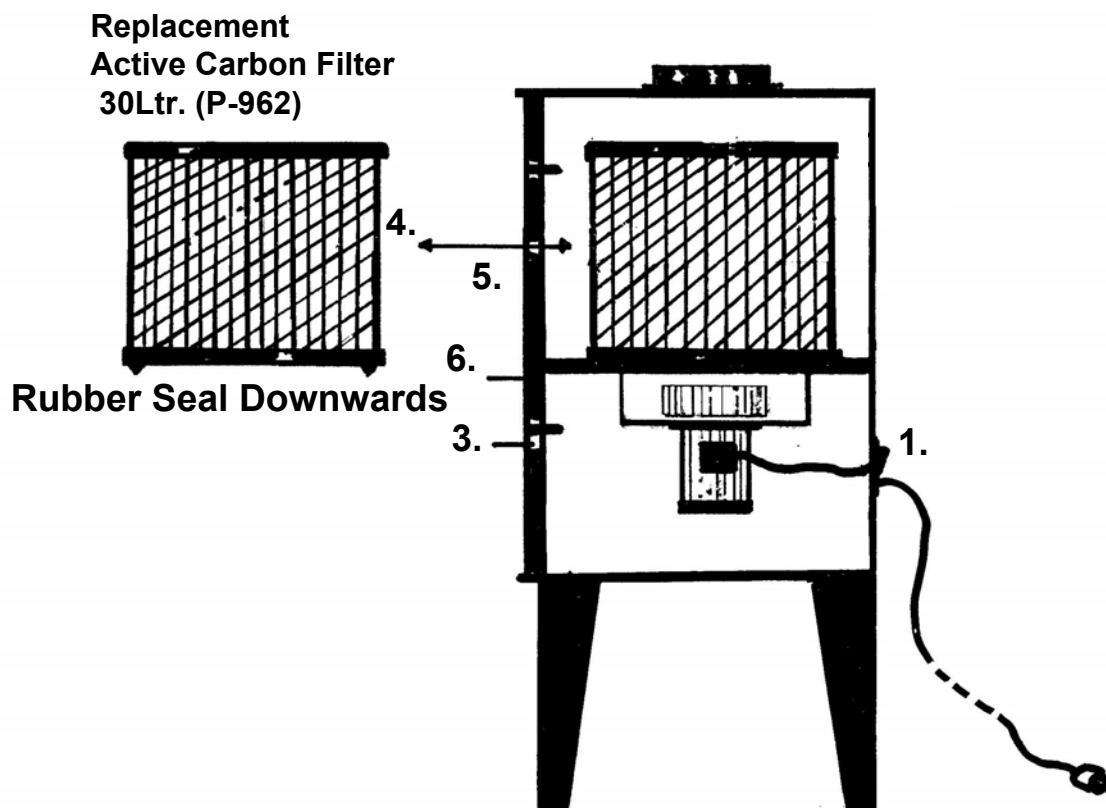
4-8 dia.75 or dia.100mm Extraction-Arms (Flexa or Chemikus).



**From the CF Unit Vertical and Horizontal Ducting dia.200mm.
From Horizontal Ducting to Extraction-Arm dia.75mm or 100mm.**

1.5 Change of Filter.

CF-Active Carbon Extractor-Filter



Recommended Steps to replace the Filter.

1. Switch off the Fan on the Unit and disconnect the plug (1-Phase) or switch off the unit where the Switch is mounted (3-Phase).
2. Use adequate Safety Clothing!
3. Open the 4 Exenter Locks on the Door and lift it off. Place it in a safe place.
4. Pull out the old Filter.
5. Put in a replacement Filter with the Seal Downwards. Be sure it is centered around the inlet of the Fan.
6. Mount the Door and lock it with the 4 Exenter Locks.
7. The CF Extractor Filter is ready for use again.
8. Dispose of the old Filter according to Local Laws and Regulations.

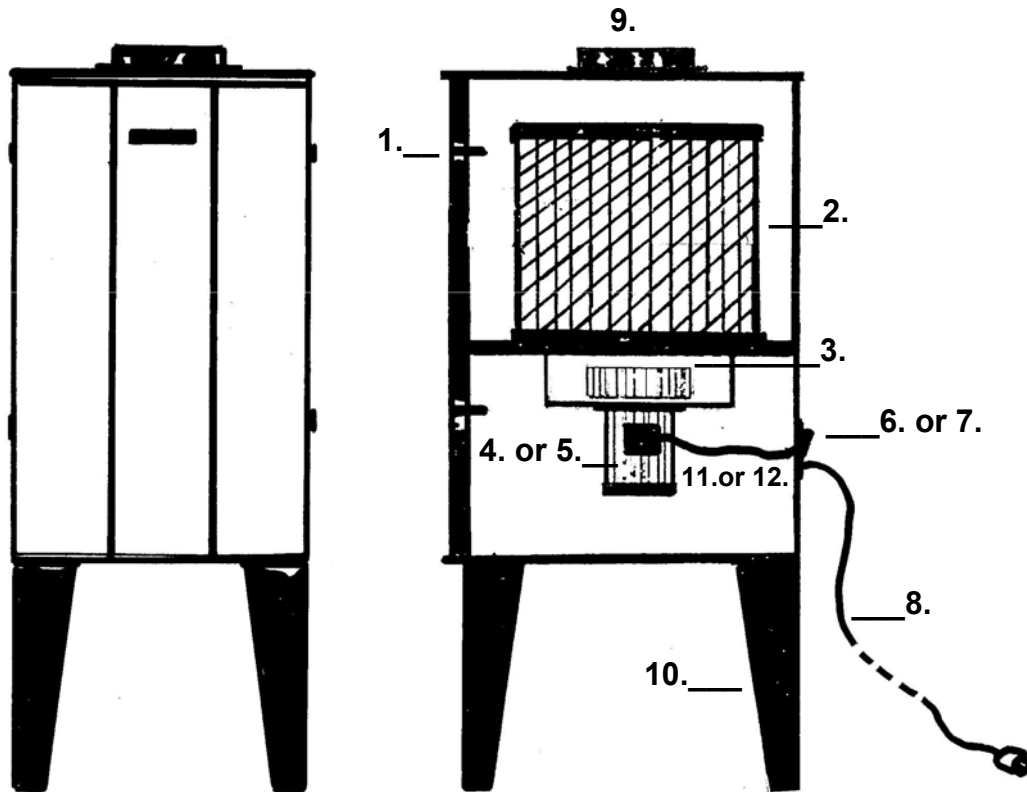
2.0 Maintenance

2.1 General Information.

The CF Extractor-Filters are robust and normally don't need much maintenance. However the following should be checked at least 2 times a year.

- 1. Check that all bolts are tight.**
- 2. Check if the extraction is good enough. If not please see "1.5 Change of Filter" above.**
- 3. It is no Problem to change from Active Carbon Cartridge to F9 Filter Cartridge (P-541) or HEPA H13 Filter Box (P-958), if the work situation has changed.**
- 4. Check the Electric Cable. If there are damages on it, you have to change it. Use Plymoth original spare parts. A certified Electrician has to do the change.**
- 5. Check that the Extraction-Arms are easy to move and that they stay in position. If not tighten the friction joints.**

2.2 Spare Parts CF-Active Carbon Extractor-Filters.



When ordering Spare Parts please specify:

- a. Name and P-number of Your Product.**
- b. Number and Text from below.**
- c. Quantity of each Spare Part.**

- 1. Door with 4xExenter Locks. Complete.**
- 2. Active Carbon Filter Cartridge 30Ltr. with Prefilter Fleece.**
- 3. Impellar.**
- 4. Electric Motor 1-phase/1.1kw/220V/50Hz.**
- 5. Electric Motor 3-phase/1.1kw/400V/50-60Hz.**
- 6. On/Off Switch 1-phase with overload protection.**
- 7. Connection Box for 3-phase (3-phase versions).**
- 8. Cable and Plug for 1-phase versions.**
- 9. Inlet Flange outside dia.199mm.**
- 10. Legs 500mm.**
- 11. Motor Cable 1-phase.**
- 12. Motor Cable 3-phase.**



Declaration of conformity

We, J. Plymoth AB, declare under our sole responsibility that the product lines **MF-F9/HEPA, MF-Active Carbon, MF-Eco/F9, MF-Eco/HEPA, MF-Filter-Tables, MF-Eco Filter-Tables, FK-Mesa Backdraft Filter-Tables, MKF Filter-Tables, Labbe, MF-Lab, MF-Eco Lab, CF Central Filters, Mobo-Oil, Denta-Flex, Fica-Flex and VBF-Office** to which this declaration relates is in conformity with Directives 2006/42/EC, 2014/30/EU, 2011/65/EU and Standards EN 60204-1:2006, EN ISO 12100:2010, EN ISO 15012-1:2013, EN 61000-6-2:2005, EN 61000-6-3:2007, EN ISO 20607:2019.

J. Plymoth AB
Traryds Allen 4D
28772 Traryd

87

A handwritten signature in blue ink, appearing to read 'Jenny Nilsson', is written over the printed name and title.

Jenny Nilsson
Verkställande Direktör

2023-01-01